

98200 Series

LCD Maintenance/Hour Meters



DESCRIPTION

Honeywell 98200 Series maintenance/hour meters keep an LCD readout of elapsed time in hours and tenths. An internal battery keeps the display visible at all times.

Every 50 hours, the meter displays a maintenance reminder for service.

FEATURES

- Digital LCD readout
- Internal battery
- Snap-in case
- 50-hour alarm for maintenance (optional)
- Terminal designed to accept Packard connector 2973781
- IP66 sealing

POTENTIAL APPLICATIONS

- Commercial lawn care equipment
- Mowers
- Generators
- Compressors
- Small engine vehicles and equipment
- Panel assemblies
- Sport vehicles

BENEFITS

- Display is visible at all times
- Snap-in mounting requires no additional hardware
- Hour glass running indicator
- Maintenance alarm
- Large digital readout

98200 Series

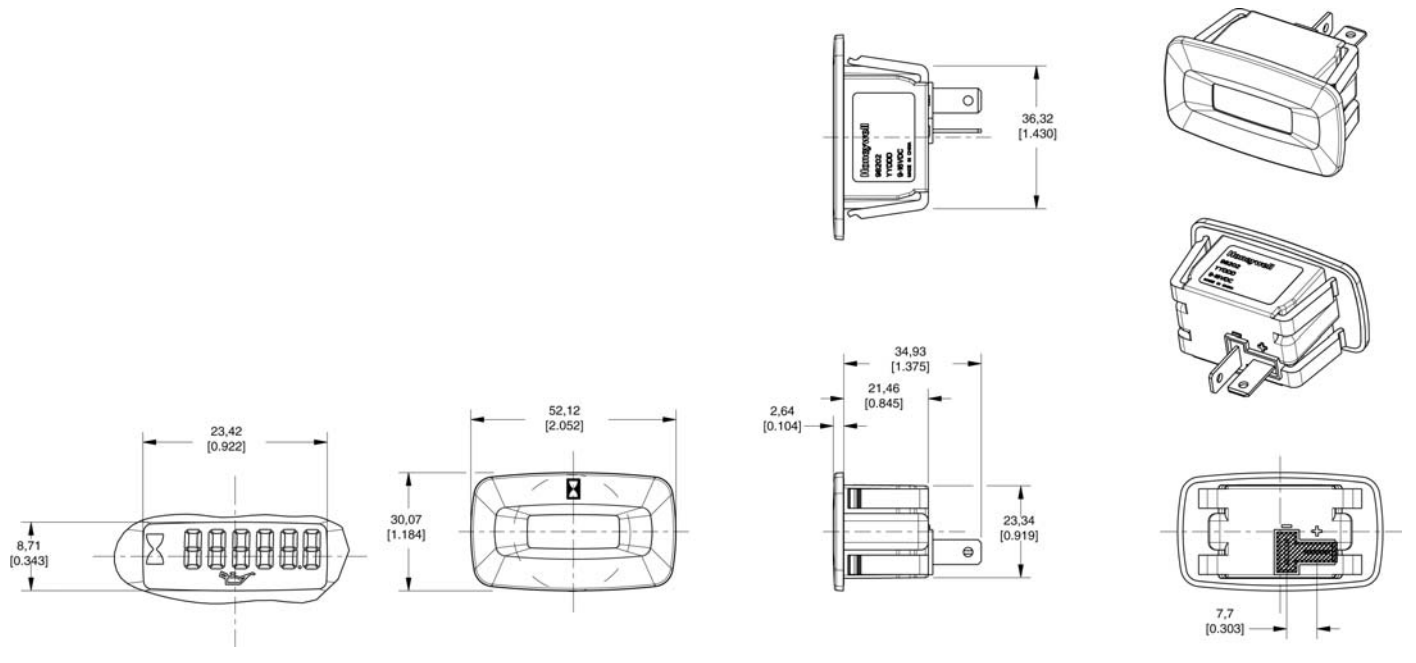
SPECIFICATIONS

| Characteristic | Parameter |
|--------------------------------|--|
| Range | 0 to 99,999.9 hours |
| Running indicator | Yes |
| Maintenance alert | 50-hour intervals |
| Run accuracy | ±0.02 % (over voltage and temperature range) |
| Operating voltage range | 9 Vdc to 16 Vdc |
| Shock | 55 g per SAE J1378 |
| Vibration | 20 g per SAE J1378 |
| Humidity | 95 % RH per SAE J1378 |
| High pressure spray | 1000 psi at 101,6 mm [4 in] and 4 GPM with 15° fan-shaped nozzle |
| Operating temperature | -40 °C to 71 °C [-40 °F to 160 °F] |
| Storage temperature | -50 °C to 85 °C [-58 °F to 185 °F] |
| Transient immunity | Overvoltage – yes Load dump – yes Inductive – yes EMI – yes Reverse polarity – yes |
| Panel mounting | Snap-in |
| Panel opening | 36,83 mm x 24,13 mm [1.45 in x 0.95 in] |
| Case sealing technique – front | Ultrasonic weld |
| Case sealing technique – rear | Sealant on terminals |
| Start time | < 1 s |
| Material – case | Makroblend |
| Material – lens | Lexan |
| Case depth | 1.35 in (including terminals) |
| Termination | 0.25 in spade (mates with Packard connector 2973781) |

LCD Maintenance/Hour Meters

MOUNTING DIMENSIONS (For reference only. mm [in])

98200 Series



ORDER GUIDE

| Catalog listing | Description |
|-----------------|------------------------------|
| 098203 99 | LCD maintenance & hour meter |
| 098204 99 | LCD hour meter |

WARNING

PERSONAL INJURY

DO NOT USE these products as safety or emergency stop devices or in any other application where failure of the product could result in personal injury.

Failure to comply with these instructions could result in death or serious injury.

WARNING

MISUSE OF DOCUMENTATION

- The information presented in this product sheet is for reference only. Do not use this document as a product installation guide.
- Complete installation, operation, and maintenance information is provided in the instructions supplied with each product.

Failure to comply with these instructions could result in death or serious injury.

WARRANTY/REMEDY

Honeywell warrants goods of its manufacture as being free of defective materials and faulty workmanship. Honeywell's standard product warranty applies unless agreed to otherwise by Honeywell in writing; please refer to your order acknowledgement or consult your local sales office for specific warranty details. If warranted goods are returned to Honeywell during the period of coverage, Honeywell will repair or replace, at its option, without charge those items it finds defective. **The foregoing is buyer's sole remedy and is in lieu of all other warranties, expressed or implied, including those of merchantability and fitness for a particular purpose. In no event shall Honeywell be liable for consequential, special, or indirect damages.**

While we provide application assistance personally, through our literature and the Honeywell web site, it is up to the customer to determine the suitability of the product in the application.

Specifications may change without notice. The information we supply is believed to be accurate and reliable as of this printing. However, we assume no responsibility for its use.

Sensing and Control

Honeywell

1985 Douglas Drive North

Golden Valley, Minnesota 55422

009572-2-EN IL50 GLO Printed in USA
March 2008

Copyright © 2008 Honeywell International Inc. All rights reserved.

Honeywell