

PART NUMBER: 154MKP275KE

CLASS X2 RADIAL LEAD METALLIZED POLYPROPYLENE CAPACITORS

Parts are RoHS compliant

Date code when parts became RoHS: 19



ELECTRICAL SPECIFICATIONS

Capacitance: 0.15 μ F

Dissipation Factor: 0.001 Max at 1000 Hz and 25°C

Temperature Coefficient: -200 PPM/°C: -100 PPM/°C, 100 PPM/°C

Ripple Current: - at - and 0

ESR: - at - and -

Self Inductance: 1 Nanohenries maximum per mm of pitch

dvdt: 300 V/ μ s

Terminal to Terminal Dielectric strength: 1768/2121 V times the rated AC voltage when applied between the terminals for 60 seconds

Insulation Resistance (Terminal to Terminal): 15000 Megohms MINIMUM after 100 Volts DC is applied for 60 seconds at 20°C

Reliability:

Load Life: 1000 hours at 110°C with 125% of rated voltage

Capacitance Change: \leq 5% of initially measured value

D.F. Change: \leq 150% of maximum specified value

I.R. Change: $>$ 100% of minimum specified value

Tolerance: -10 % , +10 %

Temperature Range: -40°C to +110°C

Above 110°C the rated (DC/AC) voltage must be derated at per °C

WVDC: 0 Volts DC

SVDC: N/A Volts DC

VAC: 275 Volts AC

Terminal to case Dielectric strength: 2050 times the rated AC voltage when applied between the terminals for 60 seconds

Insulation resistance (Terminal to Case): 30000 Megohms MINIMUM after 100 Volts DC is applied for 60 seconds at 20°C

PHYSICAL DIMENSIONS

Length (L): 18 mm, MAX mm

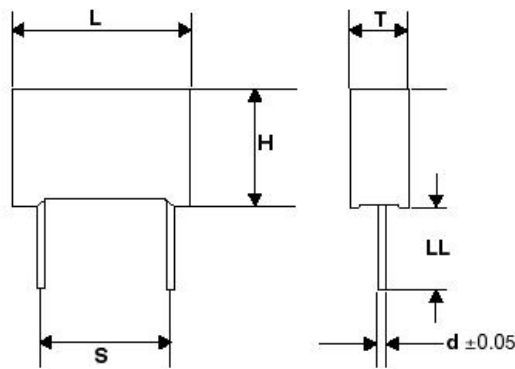
Height (H): 13.5 mm, +/-MAX mm

Thickness (T): 7.5 mm, +/-MAX mm

Lead Spacing (S): 15 mm, +/-0.5 mm

Lead Diameter (d): 0.8 mm, +/-0.05 mm

Lead Length (LL): 5mm, +/- MIN mm



3757 W. Touhy Ave. Lincolnwood, IL 60712 (847)-675-1760 FAX (847)-673-2850
Illinois Capacitor (HK) Ltd., Tel: 85227930931, Fax: 85227930731, www.ilcap.com.hk
© 2009 Illinois Capacitor