

# Soft Start-up Valve

# AV2000/3000/4000/5000

## How to Order

**AV 20 00 — F 02 — 1 G — C**

Soft start-up valve

**Body size**

20	1/4
30	3/8
40	1/2
50	3/4, 1

**Thread type**

Nil	Rc
F	G
N	NPT

**Port size**

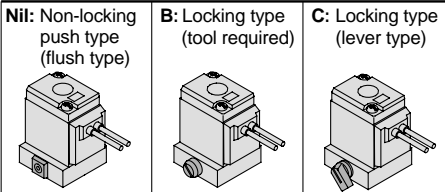
02	1/4 (AV2000 only)
03	3/8 (AV3000 only)
04	1/2 (AV4000 only)
06	3/4 (AV5000 only)
10	1 (AV5000 only)

**Option**

Nil	None
G	With pressure gauge

**Manual override**

<b>Nil:</b> Non-locking push type (flush type)	<b>B:</b> Locking type (tool required)	<b>C:</b> Locking type (lever type)
--	--	-------------------------------------



**Indicator light/Surge voltage suppressor**

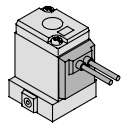
Nil	None
S	With surge voltage suppressor (grommet type only)
Z	With indicator light/surge voltage suppressor (not possible with grommet type)

**Rated coil voltage**

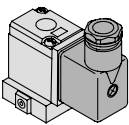
1	100VAC (50/60Hz)
2	200VAC (50/60Hz)
3	110 to 120VAC (50/60Hz)
4	220VAC (50/60Hz)
5	24VDC
6	12VDC
9	Other

**Electrical entry**

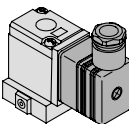
**G:** Grommet



**D:** Type D DIN terminal



**Y:** Type Y DIN terminal



## How to Order Pilot Valve Assemblies

**SF4 — 1 G — 80**

**Rated coil voltage**

1	100VAC (50/60Hz)
2	200VAC (50/60Hz)
3	110 to 120VAC (50/60Hz)
4	220VAC (50/60Hz)
5	24VDC
6	12VDC
9	Other

**For soft start-up valve**

**Manual override**

Nil	Non-locking push type (flush type)
B	Locking type (tool required)
C	Locking type (lever type)

**Indicator light**


**Surge voltage suppressor**

Nil	None
S	With surge voltage suppressor (grommet type only)
Z	With indicator light/surge voltage suppressor (not possible with grommet type)

**Electrical entry**

G	Grommet
D	Type D DIN terminal
Y	Type Y DIN terminal

**TÜV approved product**  
(Conforms to standards necessary to satisfy EC directives.)



Series AV has received approval from TÜV Rheinland, an EC Notified Body (EC authorization number 0197), for conformity to DIN VDE0580: 1994 Standards.

Consult SMC for details when ordering TÜV approved products because of restrictions regarding product model, voltage specification, and electrical entry, etc.

# Soft Start-up Valve AV2000/3000/4000/5000

## Specifications



Type D DIN terminal



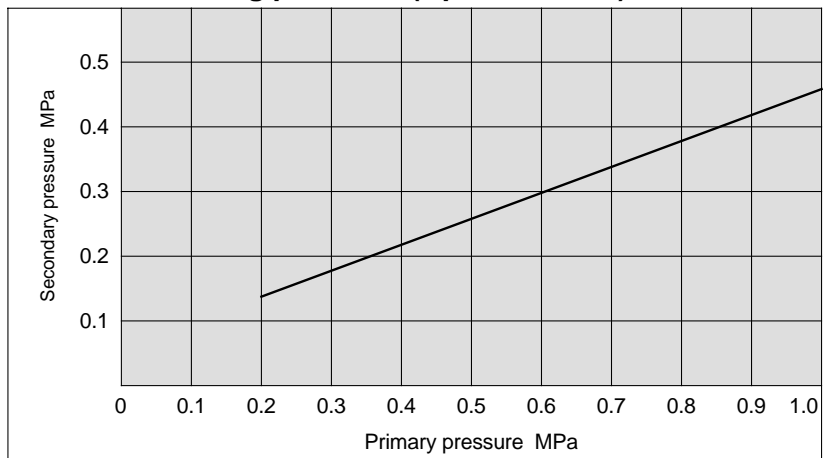
Type Y DIN terminal

Model		AV2000	AV3000	AV4000	AV5000		
Port size		1/4	3/8	1/2	3/4	1	
Proof pressure		1.5MPa					
Operating pressure range		0.2 to 1MPa					
Pressure gauge port size		1/8					
Ambient and fluid temperature		0 to 60°C Note 1)					
Effective area (mm <sup>2</sup> )	1(P)→2(A)	20	37	61	113	122	
	2(A)→3(R)	24	49	76	132	141	
Weight (kg)		0.27	0.48	0.74	1.60	1.54	
Electrical specifications	Rated coil voltage	100, 200, 110 to 120, 220VAC (50/60Hz), 12, 24VDC					
	Allowable voltage fluctuation	-15% to +10% of rated voltage					
	Coil insulation type	Equivalent to B type (130°C)					
	Apparent power (current consumption)	AC Inrush	5.6VA (50Hz), 5.0VA (60Hz)				
		Energized	3.4VA (2.1W)/50Hz, 2.3VA (1.5W)/60Hz				
	Current consumption DC	1.8W					
	Electrical entry	Grommet, Type D DIN terminal, Type Y DIN terminal					
Optional specification	Indicator light/Surge voltage suppressor Note 2)						
Pilot valve manual override	Non-locking push type (flush type), Locking type (tool required), Locking type (lever type)						

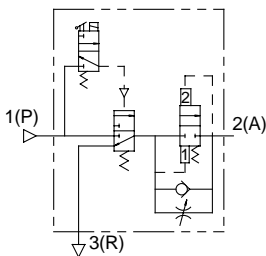
Note 1) Use dry air when operating at a low temperature.

Note 2) The grommet type can have a surge voltage suppressor (direct coupling type lead wire), but without indicator light.

### Piston B switching pressure (Open→Closed)



### Symbol

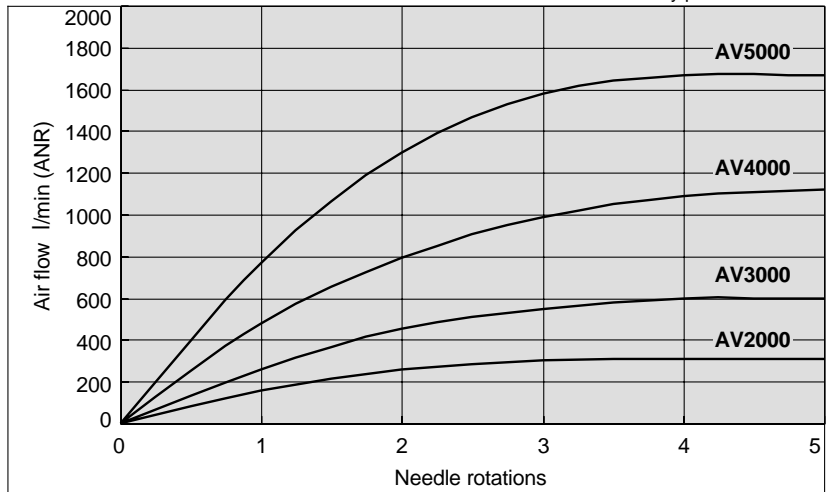


### Accessories/Pressure gauge

Description	Pressure gauge
Part no.	G36-10-01
Pressure range	1MPa

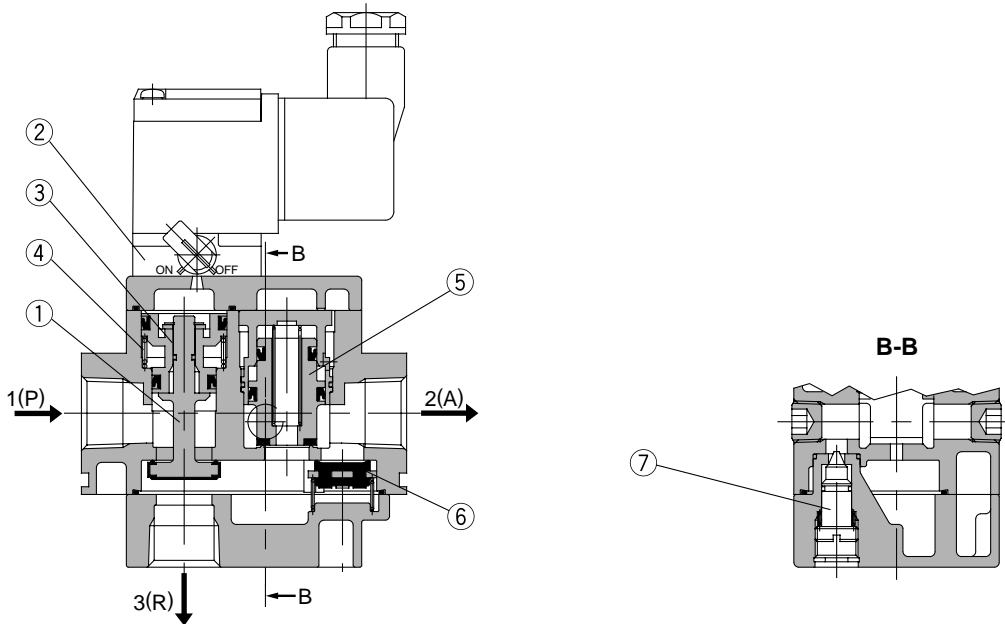
### Needle valve flow characteristics

Conditions: Primary pressure 0.5MPa



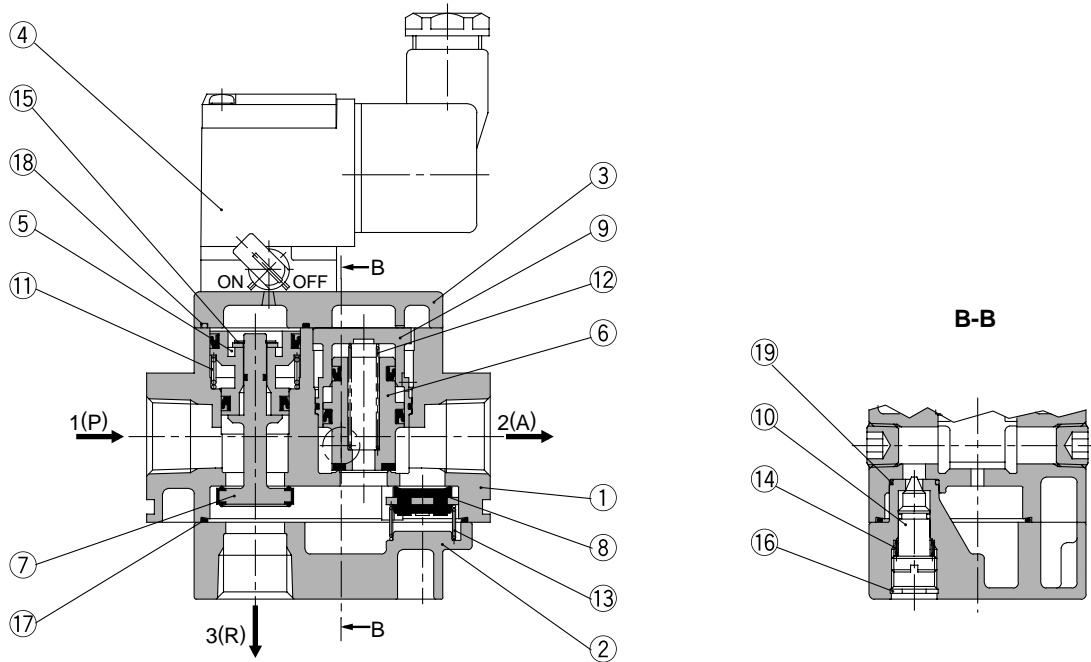
# AV2000/3000/4000/5000

## Working Principle



Working condition	Pilot valve	Pressure conditions	Working description	Pressure time chart (meter-out control) example	Cylinder drive circuit (meter-out control) example	
Low speed supply	ON	$1/2 PP > PA$	When pilot valve ② is turned ON by energization or manual override, the pilot air pushes piston A ③ and main valve ① downward and opens main valve ① while R port closes simultaneously. The air from P port moves to needle valve ⑦, where its flow is adjusted, and flows to A port. The meter-in control of needle valve ⑦ slowly moves the cylinder from ① to ②.	<p>Initial operation return stroke</p>		
High speed supply		$1/2 PP \leq PA$	When $1/2 PP \leq PA$ after the cylinder reaches ②, piston B ⑤ fully opens and PA increases rapidly as shown from ③ to ④ and becomes the same pressure as PP.			
Normal operation		$1/2 PP = \text{approx. } PA$	Since piston B ⑤ holds the fully open condition, during normal operation the cylinder's speed will be controlled by the usual meter-out control.			
Quick exhaust	OFF	—	When pilot valve ② is turned OFF, spring ④ pushes piston A ③ and main valve ① upward and opens R port while shutting off the air supply from P port. The pressure difference generated at this time opens check valve ⑥ and the residual pressure on the A port side is quickly exhausted from R port.			

## Construction



### Parts list

No.	Description	Material
1	<b>Body</b>	ADC
2	<b>Cap</b>	ADC
3	<b>Cover</b>	ADC

### Replacement parts

No.	Description	Material	Part no.			
			AV2000	AV3000	AV4000	AV5000
4	<b>Pilot valve assembly</b>	—	SF4-□-80*			
5	<b>Piston A assembly</b>	POM, NBR	P424204A	P424304A	P424404A	P424504A
6	<b>Piston B assembly</b>	Brass, NBR (HNBR)	P424205A	P424305A	P424405A	P424505A
7	<b>Main valve assembly</b>	Brass, NBR (HNBR)	P424206A	P424306A	P424406A	P424506A
8	<b>Check valve</b>	Brass, NBR (HNBR)	P424207	P424307	P424407	P424507
9	<b>Piston guide assembly</b>	POM, NBR	P424208A	P424308A	P424408A	P424508A
10	<b>Needle assembly</b>	Brass, NBR	P424209A	P424309A	P424409A	P424509A
11	<b>Valve spring</b>	Steel wire	P424211	P424311	P424411	P424511
12	<b>Piston spring</b>	Stainless steel	P424212	P424312	P424412	P424512
13	<b>Check spring</b>	Stainless steel	P424213	P424313	P424413	P424513
14	<b>Needle spring</b>	Steel wire	P424214	P424314	P424414	—
15	<b>C type snap ring for shaft</b>	Tool steel	G-5	STW-5	STW-8	STW-10
16	<b>C type snap ring for hole</b>	Tool steel	0-9	0-10	RTW-12	RTW-15
17	<b>Seal</b>	NBR	P424210	P424310	P424410	P424510
18	<b>Seal</b>	NBR	P424218	P424315	P424415	P424514
19	<b>O-ring</b>	NBR	10 x 8 x 1	11 x 9 x 1	12.5 x 9.5 x 1.5	16.5 x 12.5 x 2

\* Refer to page 1 for pilot valve assembly part number designations.

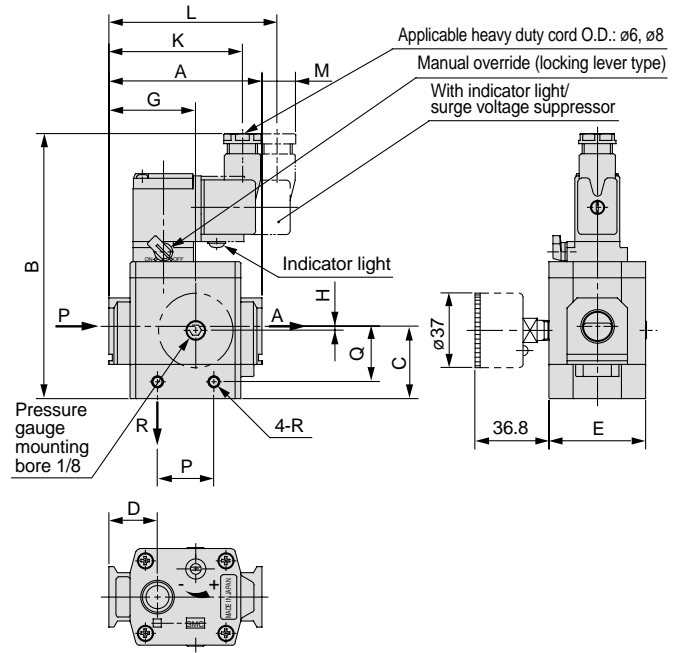
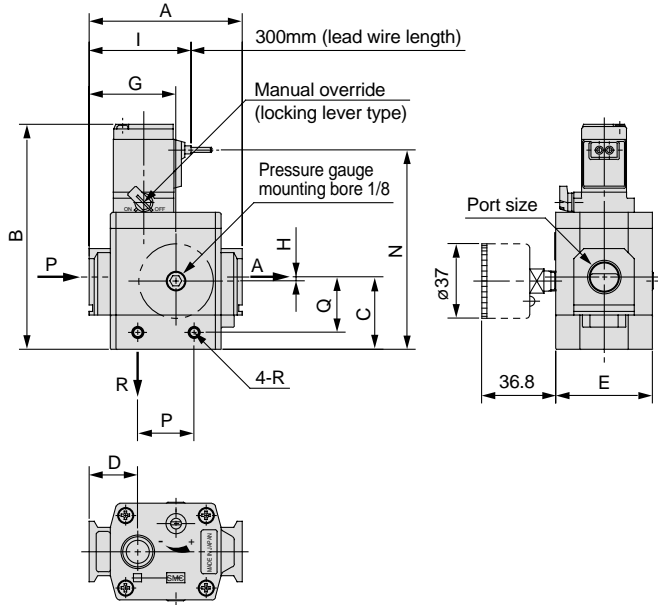
# AV2000/3000/4000/5000

## Dimensions

Grommet: AV□00-□-□G, GS

DIN terminal: AV□00-□-□D, DZ

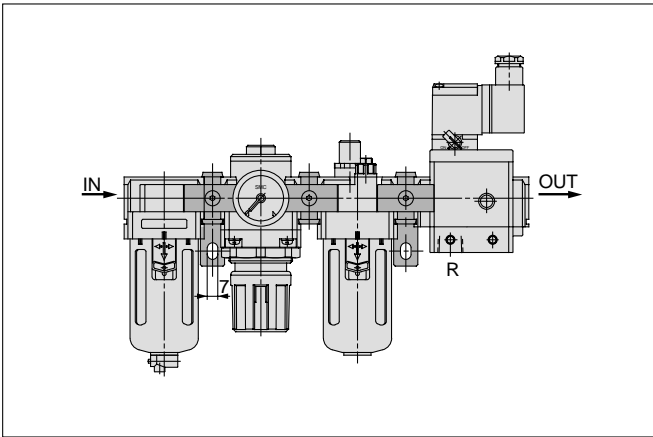
DIN terminal for European use: AV□00-□-□Y, YZ



Model	Port size	A	B	C	D	E	G	H	I	K	L	M	N	P	Q	R
AV2000-□02-□G□	1/4	66	105	31	22	40	38	0	47.5	—	—	—	93	29	23.5	M4 x 0.7 Depth 4.5
AV2000-□02-□GS□										—	—	—				
AV2000-□02-□D□	1/4	66	125	31	22	40	38	0	—	65.5	—	6	—	29	23.5	M4 x 0.7 Depth 4.5
AV2000-□02-□DZ□										—	82.5	23				
AV2000-□02-□Y□	1/4	66	125	31	22	40	38	0	—	67.5	—	10.5	—	29	23.5	M4 x 0.7 Depth 4.5
AV2000-□02-□YZ□										—	84.5	27.5				
AV3000-□03-□G□	3/8	76	112	36	24	48	43	2	50.5	—	—	—	100	28	27.5	M5 x 0.8 Depth 5
AV3000-□03-□GS□										—	—	—				
AV3000-□03-□D□	3/8	76	132	36	24	48	43	2	—	68.5	—	—	—	28	27.5	M5 x 0.8 Depth 5
AV3000-□03-□DZ□										—	85.5	16				
AV3000-□03-□Y□	3/8	76	132	36	24	48	43	2	—	70.5	—	3.5	—	28	27.5	M5 x 0.8 Depth 5
AV3000-□03-□YZ□										—	87.5	20.5				
AV4000-□04-□G□	1/2	98	127	47	32	52	57	3	62.5	—	—	—	115	42	37	M6 x 1 Depth 6
AV4000-□04-□GS□										—	—	—				
AV4000-□04-□D□	1/2	98	147	47	32	52	57	3	—	80.5	—	—	—	42	37	M6 x 1 Depth 6
AV4000-□04-□DZ□										—	97.5	6				
AV4000-□04-□Y□	1/2	98	147	47	32	52	57	3	—	82.5	—	—	—	42	37	M6 x 1 Depth 6
AV4000-□04-□YZ□										—	99.5	10.5				
AV5000-□06-□G□	3/4, 1	128	155	59	39	74	77	0	74	—	—	—	143	50	46	M6 x 1 Depth 7.5
AV5000-□06-□GS□										—	—	—				
AV5000-□06-□D□	3/4, 1	128	175	59	39	74	77	0	—	90	—	—	—	50	46	M6 x 1 Depth 7.5
AV5000-□06-□DZ□										—	107	—				
AV5000-□06-□Y□	3/4, 1	128	175	59	39	74	77	0	—	94	—	—	—	50	46	M6 x 1 Depth 7.5
AV5000-□06-□YZ□										—	111	—				

## Modular F.R.L. Combination Spacer

Select one of the spacers below when connecting to an F.R.L. combination unit (AC2000 to AC6000).  
(Spacers must be ordered separately.)

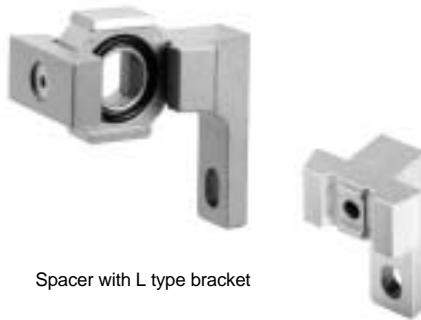


### Spacer



Model	Applicable model
<b>Y20</b>	AV2000
<b>Y30</b>	AV3000
<b>Y40</b>	AV4000
<b>Y60</b>	AV5000

### L type bracket Spacer with L type bracket



Spacer with L type bracket

L type bracket

L type bracket	Spacer with L type bracket	Applicable model
<b>B210L</b>	Y20L	AV2000
<b>B310L</b>	Y30L	AV3000
<b>B410L</b>	Y40L	AV4000
<b>B610L</b>	Y60L	AV5000

### T type bracket Spacer with T type bracket



Spacer with T type bracket


T type bracket


T type bracket	Spacer with T type bracket	Applicable model
<b>B210T</b>	Y20T	AV2000
<b>B310T</b>	Y30T	AV3000
<b>B410T</b>	Y40T	AV4000
<b>B610T</b>	Y60T	AV5000




# Series AV2000/3000/4000/5000 Safety Instructions

These safety instructions are intended to prevent a hazardous situation and/or equipment damage. These instructions indicate the level of potential hazard by a label of "**Caution**", "**Warning**" or "**Danger**". To ensure safety, be sure to observe ISO 4414 Note 1), JIS B 8370 Note 2) and other safety practices.

 **Caution:** Operator error could result in injury or equipment damage.

 **Warning:** Operator error could result in serious injury or loss of life.

 **Danger:** In extreme conditions, there is a possible result of serious injury or loss of life.

Note 1) ISO 4414 : Pneumatic fluid power – Recommendations for the application of equipment to transmission and control systems.

Note 2) JIS B 8370 : General Rules for Pneumatic Equipment.

## Warning

### **1. The compatibility of pneumatic equipment is the responsibility of the person who designs the pneumatic system or decides its specifications.**

Since the products specified here are used in various operating conditions, their compatibility for the specific pneumatic system must be based on specifications or after analysis and/or tests to meet your specific requirements.

### **2. Only trained personnel should operate pneumatically operated machinery and equipment.**

Compressed air can be dangerous if an operator is unfamiliar with it. Assembly, handling or repair of pneumatic systems should be performed by trained and experienced operators.

### **3. Do not service machinery/equipment or attempt to remove components until safety is confirmed.**

1. Inspection and maintenance of machinery/equipment should only be performed after confirmation of safe locked-out control positions.
2. When equipment is to be removed, confirm the safety process as mentioned above. Cut the supply pressure for this equipment and exhaust all residual compressed air in the system.
3. Before machinery/equipment is restarted, take measures to prevent shooting-out of cylinder piston rod, etc. (Bleed air into the system gradually to create back pressure.)

### **4. Contact SMC if the product is to be used in any of the following conditions:**

1. Conditions and environments beyond the given specifications, or if product is used outdoors.
2. Installation on equipment in conjunction with atomic energy, railway, air navigation, vehicles, medical equipment, food and beverages, recreation equipment, emergency stop circuits, press applications, or safety equipment.
3. An application which has the possibility of having negative effects on people, property, or animals, requiring special safety analysis.



## AV2000/3000/4000/5000

# Specific Product Precautions 1

Be sure to read before handling.  
Refer to page 7 for safety instructions.

### Design

## ⚠ Warning

### 1. Actuator drive

When a component such as a solenoid valve or actuator is to be driven using this product, take appropriate measures to prevent potential danger caused by actuator operation.

### 2. Holding of pressure

Since the products are subject to air leakage (allowed), they cannot be used for applications such as holding pressure in a pressure vessel.

### 3. Maintenance space

The installation should allow sufficient space for maintenance activities.

### Selection

## ⚠ Warning

### 1. Confirm the specifications.

The products presented in this catalog are designed only for use in compressed air systems. Do not operate at pressures or temperatures, etc., beyond the range of specifications, as this can cause damage or malfunction.  
(Refer to specifications.)

Contact SMC when using a fluid other than compressed air.

### 2. Extended periods of continuous energization

Contact SMC if valves will be continuously energized for extended periods of time.

### 3. Operation of closed center solenoid valves

When closed center solenoid valves are used, or when used on an actuator with a load factor of 50% or more, jumping (lurching) cannot be prevented even if this product is used.

### 4. Using a regulator on the secondary side

When mounting a regulator on the secondary side (A port side), use a residual pressure relief regulator (AR2550 to 4050) or a check type regulator (AR2560 to 6060).

With a standard regulator (AR1000 to 6000), the secondary side pressure may not be released when this valve is exhausted.

### 5. Operation of secondary side solenoid valves

To operate solenoid valves mounted on this product's secondary side (A port side), first confirm that the secondary side's pressure (P) has increased to become equal to the primary side's pressure (P).

### 6. Operation

The residual pressure release function of this product is for emergency use only; therefore, avoid operation in the same manner as ordinary 3 port valves.

### 7. Using a lubricator

If mounting a lubricator, mount it on the primary side (P port side), of this product. If mounted on the secondary side (A port side), back flow of oil will occur and may spurt out of the valve's R port.

### 8. Operation for air blowing

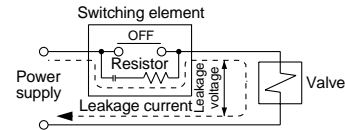
This product cannot be operated for air blowing due to the mechanism that switches the main valve to be fully open after the secondary side's pressure increases to approximately 1/2 of the primary side.

### Selection

## ⚠ Caution

### 1. Leakage voltage

Particularly when using a C-R element (surge voltage suppressor) for protection of the switching element, take note that leakage voltage will increase due to leakage current flowing through the C-R element, etc.



AC coil is 20% or less of rated voltage.

DC coil is 3% or less of rated voltage.

### 2. Low temperature operation

Although the valve can be operated at a temperature as low as 0°C, measures should be taken to avoid solidification or freezing of drainage and moisture, etc.

### Mounting

## ⚠ Warning

### 1. If air leakage increases or equipment does not operate properly, stop operation.

After mounting or maintenance, etc., connect the compressed air and power supplies, and perform appropriate function and leakage tests to confirm that the unit is mounted properly.

### 2. Instruction manual

Mount and operate the product after reading the manual carefully and understanding its contents. Also keep the manual where it can be referred to as necessary.

### 3. Painting and coating

Warnings or specifications printed or pasted on the product should not be erased, removed or covered up.

Furthermore, contact SMC before painting resin parts, as this may cause adverse effects depending on the solvent.

### Adjustment

## ⚠ Caution

### 1. To perform the initial speed adjustment of a secondary side actuator, supply air from this valve's primary side and turn ON the pilot valve. Then, rotate the needle counter clockwise from the fully closed condition.





# AV2000/3000/4000/5000 Specific Product Precautions 2

Be sure to read before handling.  
Refer to page 7 for safety instructions.

## Piping

### ⚠ Caution

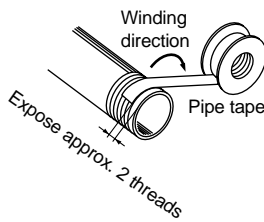
#### 1. Preparation before piping

Before piping is connected, it should be thoroughly blown out with air (flushing) or washed to remove chips, cutting oil and other debris from inside the pipe.

#### 2. Wrapping of pipe tape

When connecting pipes and fittings, etc., be sure that chips from the pipe threads and sealing material do not get inside the valve.

Further, when pipe tape is used, leave 1.5 to 2 thread ridges exposed at the end of the threads.



#### 3. Tighten threads with the proper tightening torque.

When screwing fittings into valves, tighten with the torques given below.

#### Tightening torque for piping

Connection threads	Proper tightening torque N·m
Rc 1/4	12 to 14
Rc 3/8	22 to 24
Rc 1/2	28 to 30
Rc 3/4	28 to 30
Rc 1	36 to 38

#### 4. Connection of piping to products

When connecting piping to a product, refer to its instruction manual to avoid mistakes regarding the supply port, etc.

#### 5. F.R.L. module combination

When connecting to a modular F.R.L. combination (AC2000 to 6000), select one of the spacers, which are included. (Refer to page 6 for details.) However, modular combination with AC4000-06 is not possible.

Furthermore, connect soft start-up valves to the secondary side of the F.R.L. combination.

#### 6. Primary side piping conditions

The nominal size of the piping material's or equipment's bore should be equal to or larger than the soft start-up valve's port size. The composite effective area of the primary side's (P port side's) piping or equipment should be equal to or larger than the values below.

Model	Composite effective area mm <sup>2</sup>
AV2000	5
AV3000	22
AV4000	35
AV5000	50

When the piping is restricted or the supply pressure is insufficient, the main valve will not switch and air leakage may occur from the R port.

## Indicator Light/Surge Voltage Suppressor

### ⚠ Caution

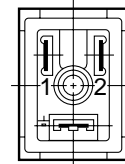
Voltage	AC and 100VDC	24VDC or less
Electrical circuit	<p>Terminal no. 1 (+) With indicator light Terminal no. 2 (-)</p>	<p>Terminal no. 1 + (-) With indicator light Terminal no. 2 - (+) Note) There is no polarity (+ or -).</p>

## Electrical Connection

### ⚠ Caution

The internal connection of the DIN terminal is as shown below, therefore, connect to the power supply side as shown.

DIN terminal



Terminal	1	2
DIN terminal	+	-

## Lubrication

### ⚠ Caution

- The valve has been lubricated for life at the factory, and does not require any further lubrication.
- In the event that it is lubricated, use Class 1 turbine oil (without additives), ISO VG32. However, once lubrication is applied it must be continued, as the original lubricant may be eliminated leading to malfunction. Contact SMC regarding Class 2 turbine oil (with additives), ISO VG32.



## AV2000/3000/4000/5000

# Specific Product Precautions 3

Be sure to read before handling.  
Refer to page 7 for safety instructions.

### Air Supply

#### Warning

##### 1. Use clean air.

Do not use compressed air which contains chemicals, synthetic oils containing organic solvents, salts or corrosive gases, etc., as this can cause damage or malfunction.

#### Caution

##### 1. Install air filters.

Install air filters close to valves at their upstream side. A filtration degree of 5µm or less should be selected.

##### 2. Install an after-cooler, air dryer or water separator, etc.

Air that includes excessive drainage may cause malfunction of valves and other pneumatic equipment. To prevent this, install an after-cooler, air dryer or water separator, etc.

### Operating Environment

#### Warning

1. Do not use valves in atmospheres of corrosive gases, chemicals, salt water, water or steam, or where there is direct contact with any of these.
2. Do not use in an explosive atmosphere.
3. Do not use in locations subject to vibration or impact.
4. A protective cover, etc., should be used to shield valves from direct sunlight.
5. Shield valves from radiated heat generated by nearby heat sources.
6. Employ suitable protective measures in locations where there is contact with water droplets, oil or welding spatter, etc.
7. In a dusty environment or when valve switching noise is intrusive, take measures for the prevention of dust entry and for noise reduction, such as mounting a silencer on the R port.

### Maintenance

#### Warning

##### 1. Perform maintenance procedures as shown in the instruction manual.

If handled improperly, malfunction or damage of machinery or equipment may occur.

##### 2. Equipment removal and supply/exhaust of compressed air

When equipment is removed, first confirm that measures are in place to prevent dropping of work pieces and run-away of equipment, etc. Then cut the supply pressure and power, and exhaust all compressed air from the system using its residual pressure release function.

##### 3. Low frequency operation

Valves should be switched at least once every 30 days to prevent malfunction. (Use caution regarding the air supply.)

##### 4. Manual override operation

When the manual override is operated, connected equipment will be actuated. Confirm safety before operating.

#### Caution

##### 1. Drainage removal

Remove drainage from air filters regularly. (Refer to specifications.)

#### How to Find the Flow Rate (at air temperature of 20°C)

Choke flow: when  $(P_2 + 0.1)/(P_1 + 0.1) \leq 0.5$

$$Q = 120 \times S \times (P_1 + 0.1) \times \sqrt{\frac{293}{273 + t}}$$

Subsonic flow: when  $(P_2 + 0.1)/(P_1 + 0.1) > 0.5$

$$Q = 240 \times S \times \sqrt{(P_1 - P_2)(P_2 + 0.1)} \times \sqrt{\frac{293}{273 + t}}$$

Q : Air flow rate [l/min (ANR)]

S : Effective area (mm<sup>2</sup>)

P1: Upstream pressure [MPa]

P2: Downstream pressure [MPa]

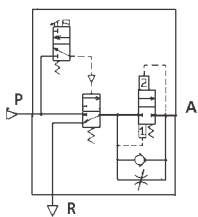
t : Air temperature

Note) Formulas above apply to compressed air only. Use conventional formulas for water and steam.

## SOFT START-UP VALVE SERIES (N)AV 2000, 3000, 4000 1/4, 3/8, 1/2"

- ✓ Combined Soft Start and Dump Valve
- ✓ Compatible with Modular Series FRL
- ✓ Large Cv Factor
- ✓ Low Power
- ✓ Air Supply and Exhaust can be operated manually

### SYMBOLS



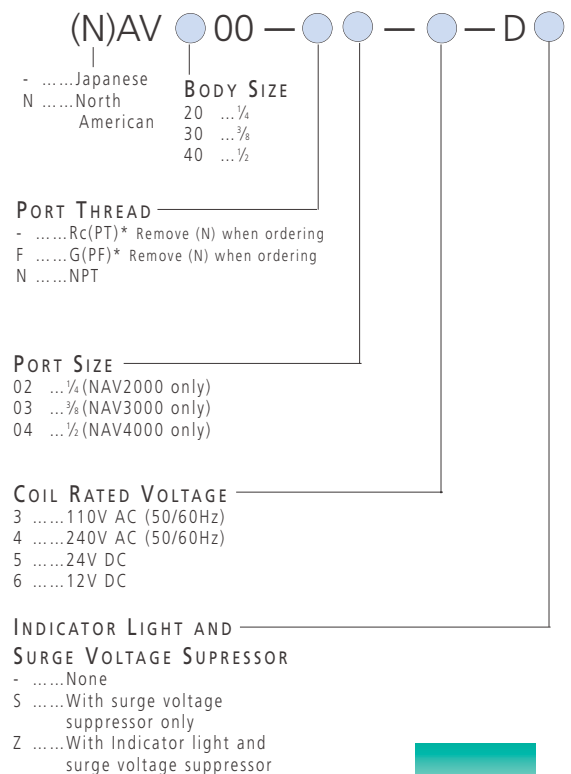
The NAV valve pictured together with an NAW series Filter/Regulator and an NAN series Silencer. (To order these items, see Air Preparation section {NAW} and Valves section {NAN})

### TECHNICAL SPECIFICATIONS

Model		NAV2000	NAV3000	NAV4000	
Port Size		1/4	3/8	1/2	
Proof Pressure		1.5MPa / 220PSI			
Operating Pressure Range		1MPa / 145PSI			
Pressure Gauge Port Size		1/8			
Ambient and Fluid Temperature		0 ~ 60°C* / 32~140°F			
CV Factor	P→A	1.19	2.20	3.60	
	A→R	1.39	2.89	4.49	
Weight (kg)		0.27	0.48	0.74	
Electrical Spec	Coil Rated Voltage	110, 240V AC (50/60Hz); 12, 24V DC			
	Allowable Voltage Fluctuation	-15% to +10% of rated voltage			
	Coil Insulation Type	Type B equivalent (130°C)			
	Apparent Power AC (Power Consumption)	Inrush	5.6VA (50Hz)		
		Holding	3.4VA (2.1W)/50Hz		
	Power Consumption DC	1.8W			
Electrical Connector	DIN 43650 (industrial form)				
Semi-Standard Spec	With indicator light and surge voltage suppressor				
Pilot Valve Manual Override		Non-locking push type			

\*Use dry air when temperature is low.

### HOW TO ORDER SOFT START-UP VALVE



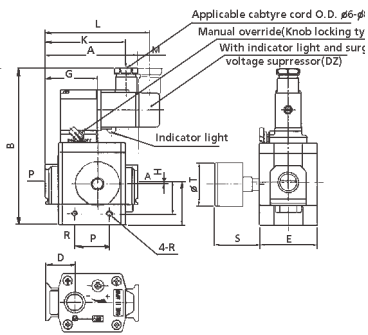
SEE INSIDE FRONT COVER FOR  
DETAILS OF YOUR LOCAL SALES OFFICE



DIMENSIONS  
SEE NEXT PAGE

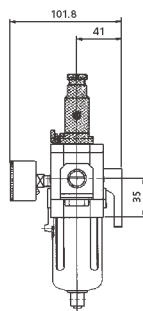
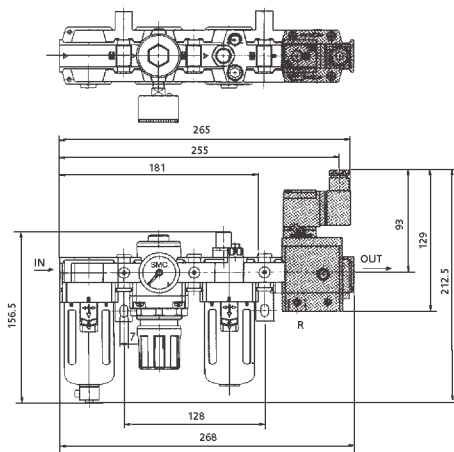
FOR FURTHER TECHNICAL  
DETAILS ON THIS  
PRODUCT REQUEST  
CATALOG REFERENCE  
ESG & N5-G1

**DIMENSIONS  
DIN CONNECTOR**



Model	Port size	A	B	C	D	E	Pressure gauge Mounting port	G	H	I	J	K	L	M	N	P	Q	R
							F											
NAV2000-□02-□D	1/4	66	125.5	31	22	40	1/4	38	0	—	—	67.5	—	10.5	—	29	23.5	M4X0.7 depth 4.5
NAV2000-□02-□DZ												—	84.5	27.5				
NAV3000-□03-□D	3/8	76	132.5	36	24	48	3/8	43	2	—	—	70.5	—	3.5	—	28	27.5	M5X0.8 depth 5
NAV3000-□03-□DZ												—	87.5	20.5				
NAV4000-□04-□D	1/2	98	147.5	47	32	52	1/2	57	3	—	—	82.5	—	—	—	42	37	M6X1 depth 6
NAV4000-□04-□DZ												—	99.5	10.5				

**DIMENSIONS  
EXAMPLE OF NAC3000 + SOFT START-UP VALVE**



1. This valve cannot prevent cylinders shooting out when a closed-center solenoid valve is used, or equipment driving with a load factor of 50% or more.
2. When a regulator is to be mounted on the secondary side, use a check valve regulator (NAR\*\*60). Standard regulators (NAR2000, 3000, 4000) do not allow large volume back-flow.
3. Mount a lubricator, as necessary, on the primary side (P port side) of the valve. When the lubricator is mounted on the secondary side (A port side), oil back-flows and is exhausted from port R.



FOR FURTHER TECHNICAL  
DETAILS ON THIS  
PRODUCT REQUEST  
CATALOG REFERENCE  
E5G & N5-G1