

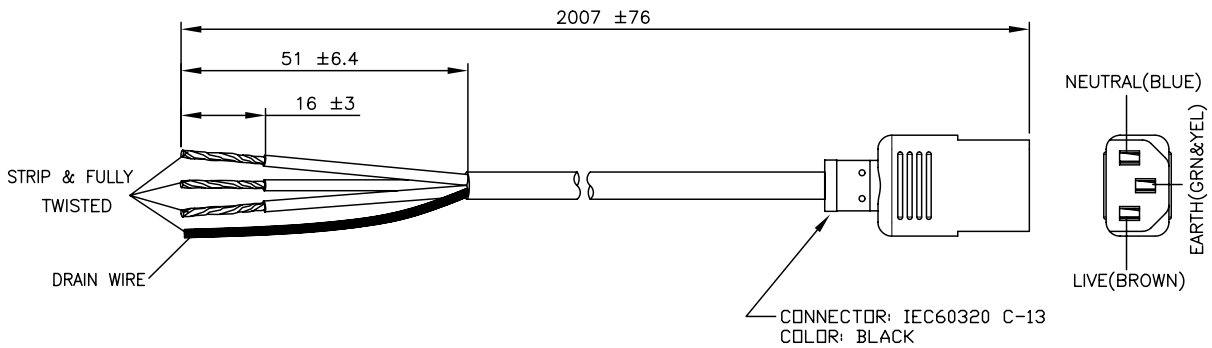
VOLEX

GROUP

## Standard Cord Details: 17620 10 B1



Specifications	
<b>Certifications</b>	
<b>Part Number</b>	17620 10 B1
<b>Connector Type</b>	C13
<b>Plug Type</b>	none
<b>Category</b>	Plastic
<b>Application</b>	Non-Detachable
<b>Plug Catalog No.</b>	
<b>Connector Catalog No.</b>	
<b>Cable</b>	
<b>Jacket Color</b>	black
<b>Length in Feet</b>	6'7_
<b>Length in Meters</b>	2
<b>Temperature Rating</b>	60 C
<b>Packaging Units Per Carton</b>	H-100.H-25
<b>Color Coding</b>	International
<b>Nominal OD in Inches</b>	0.353
<b>Nominal OD in Millimeters</b>	8.97

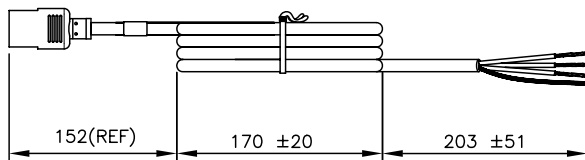


VOLEX RESERVES THE RIGHT TO ALTER NON-CRITICAL DIMENSIONS WITHOUT NOTICE.

**NOTES:**

- 1) CORDAGE: 16/3 SJT, 60°C, ALUMINUM-MYLAR SHIELD, BLACK.
- 2) APPROVALS:
- 3) RATING: 13 AMPS@125 VOLTS; 10 AMPS@250 VOLTS
- 4) PACKAGING: 80 PIECES/CARTON.
- 5) ALL DIMENSIONS IN MM UNLESS OTHERWISE SPECIFIED.
- 6) DRAIN WIRE NOT TERMINATED ON THE CONNECTOR END.
- 7) PRODUCT IS ROHS COMPLIANT.

PACKAGING: FOLD & TIE



REV	DESCRIPTION	DATE
1	C.U.D - NEW RELEASE	9/24/07



FORM IN71-07 REV.A

- Indianapolis, IN
- Conover, N.C.
- Fremont, CA
- Aguascalientes, MX
- Tijuana, Mexico
- Hermosillo, MX
- Clinton, AR
- Kanata, Canada

**Proprietary Notice:**

This document is the property of Volex Incorporated. The information contained herein is not to be disclosed to anyone without the express written consent of Volex Inc.

**MATERIAL:**  
CONNECTOR: PVC-BLACK  
JACKET: PVC-BLACK  
LEAD FREE

**FINISH:**  
JACKET: SMOOTH

SCALE: NOT TO SCALE	ECD: N/A	ITEM DESCRIPTION WIRING HARNESS - NORTH AMERICAN POWER SUPPLY CORD (6' 7')		
TOLERANCE UNLESS OTHERWISE SPECIFIED X:XXX ± 0.3 X:XX ± 0.5 X:X ± 1 ANGULAR ± 1°		APPROVED STC	DRAWN BY STC	DATE: 9/24/2007
		PART NO. 17620 10 B1		