



Conforms to EN1088, EN292, EN60947-5-1, EN60204-1  
UL and C-UL listed

### ■ Actual Size



G

safety interlock switches

## T2008

### Small Tongue-Operated Safety Interlock Switch

- Small size—these switches are ideal for guarding applications with space restrictions. Fits on 1 inch square tubing.
- NEMA 6 (IP67) enclosure enables these switches to withstand water washdown cleaning.
- Rotatable head gives eight possible actuator entry points for versatile installation. A blanking plug is supplied for the unused entry.
- Long life—these switches, with their stainless steel actuators, are designed for a minimum of one million actuations.
- Available with two contact poles. Contact configurations of 1 N/O and 1 N/C or 2 N/C are available to meet requirements of Dual Channel Safety Monitoring.
- An optional stainless steel guide is available for demanding applications.

A

#### Go to the Engineering Guide

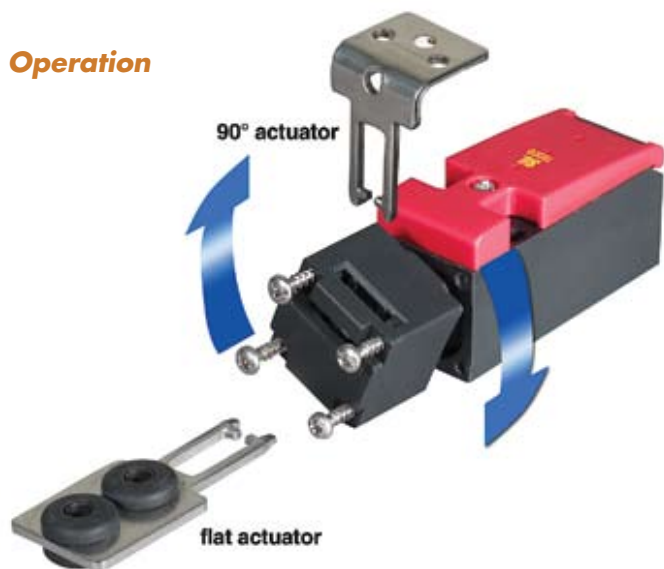
For in-depth information on safety standards and use.

N

#### For More Guarding Products

See Section N for safeguarding cutting and turning machines

■ **Operation**

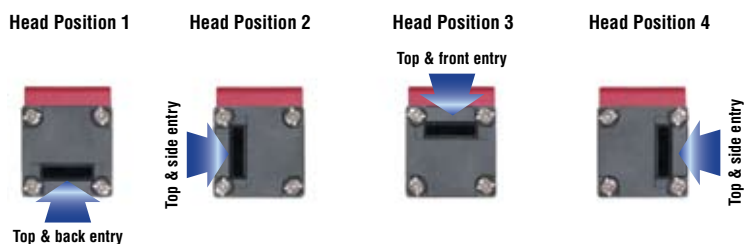


**Optional Slide Bolts**

- Allows easy installation of switch on machine guards
- Actuator included (order switch separately)
- Integral handle included
- Metal construction is suitable for demanding applications
- Yellow color for easy recognition

G

safety interlock switches



**Contact Arrangements**



**Optional Alignment Guide**

Optional stainless steel alignment guide aids actuator entry and is easily installed.



**Optional SLD Series**

**NEW!**

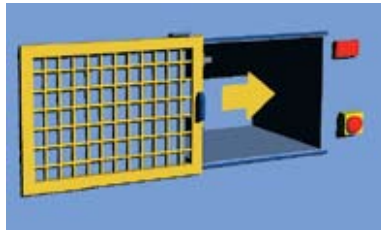
Optional switch locking devices are available. See accessories section for details.



 Universal Mounting Brackets can be used with this product. See page G241 for details.

## ■ Applications

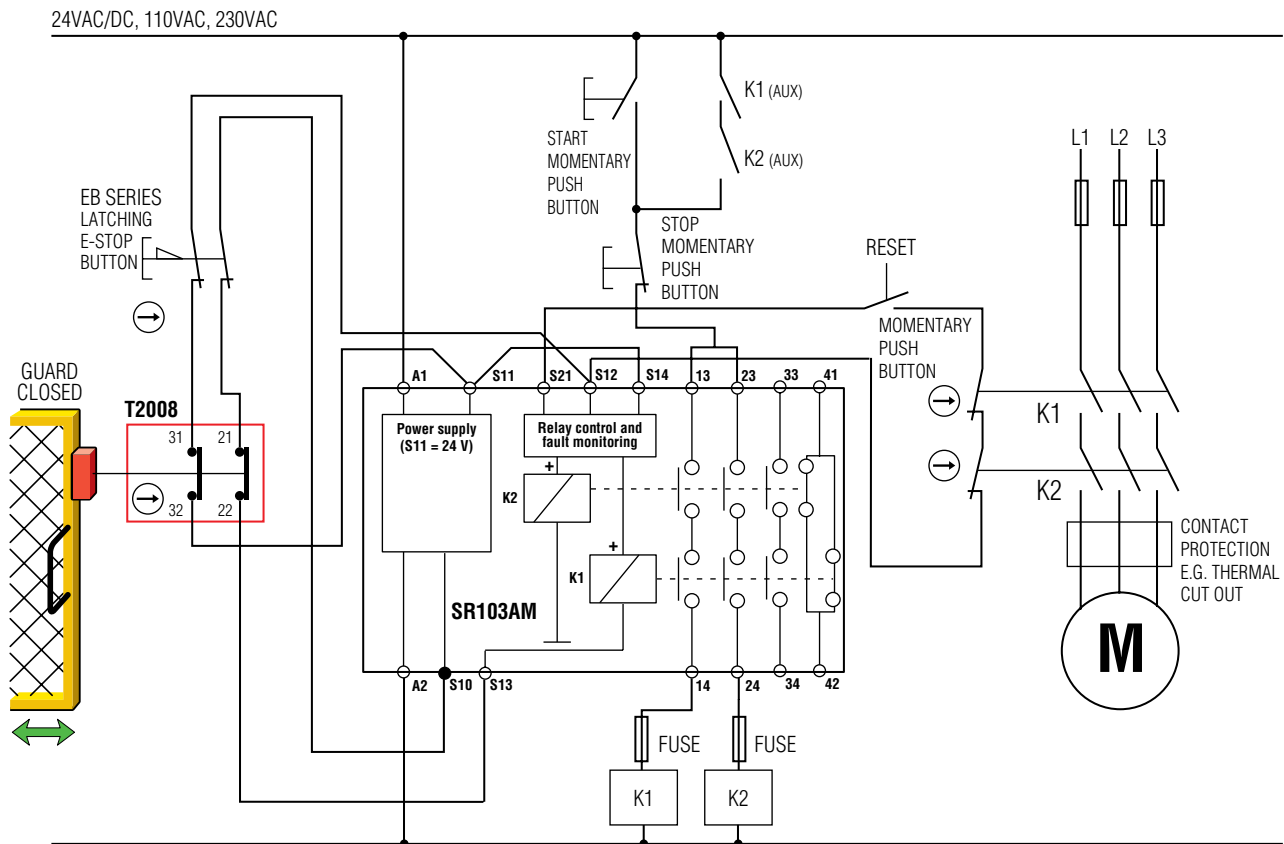
Typical applications are on sliding guard doors or swinging guard doors.



 For a full explanation of the circuit operating principle and fault detection, see "Common Circuit Examples" in the Engineering Section of this catalog.

G

safety interlock switches



**A** **Go to the Engineering Guide**  
For in-depth information on safety standards and use.

**N** **For More Guarding Products**  
See Section N for safeguarding cutting and turning machines

## ■ Specifications

Electrical	All Models
<b>Contact Configurations:</b>	1 N/O + 1 N/C, 2 N/C
<b>Safety Contacts:</b>	1 N/C positive break, 2 N/C positive break
<b>Switching Ability</b>	
<b>AC:</b>	230 V, 4 A
<b>DC:</b>	24 V, 4 A
<b>Contact Material:</b>	Silver alloy, gold flashed
<b>Auxiliary Contacts:</b>	1 N/O (T2008-11 models only)
<b>Minimum Switching Voltage:</b>	12 V at 10 mA
<b>Minimum Switching Current:</b>	1 mA at 24 V
<b>Mechanical</b>	
<b>Mounting:</b>	Any position
<b>Mounting Hardware:</b>	2 x M4 screws (not supplied)
<b>Min Operating Radius:</b>	150 to 200 mm based upon orientation of actuator to switch
<b>Break Contact Min Force:</b>	6 N (0.23 lb.)
<b>Max Actuation Speed:</b>	20 m/min.
<b>Max Actuation Frequency:</b>	7000 cycles/hour
<b>Case Material:</b>	Glass-fibre reinforced thermoplastic
<b>Actuator Material:</b>	Stainless steel
<b>Wiring Entry:</b>	1 x M16
<b>Weight:</b>	55 g (1.8 oz.)
<b>Color:</b>	Black with red lid
<b>Mechanical Life:</b>	1 x 10 <sup>6</sup> minimum
<b>Environmental</b>	
<b>Protection:</b>	IP67 (NEMA 6)
<b>Operating Temperature:</b>	-20 to 80°C (-4 to 176°F)
<b>Cleaning:</b>	Water washdown
<b>Compliance</b>	
<b>Standards:</b>	EN1088, EN292, EN60947-5-1, EN60204-1
<b>Approvals/Listings:</b>	CE marked for all applicable directives, UL and C-UL (BG pending)

Specifications are subject to change without notice.

Note: The safety contacts of the Omron STI switches are described as normally closed (N/C)—i.e., with the guard closed, actuator in place, and the machine able to be started.

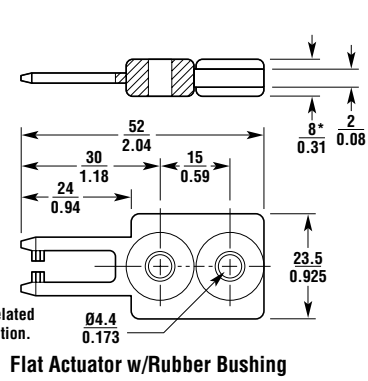
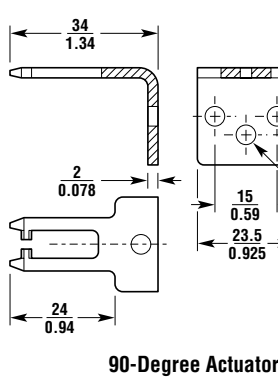
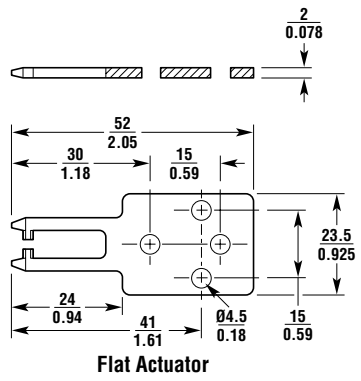
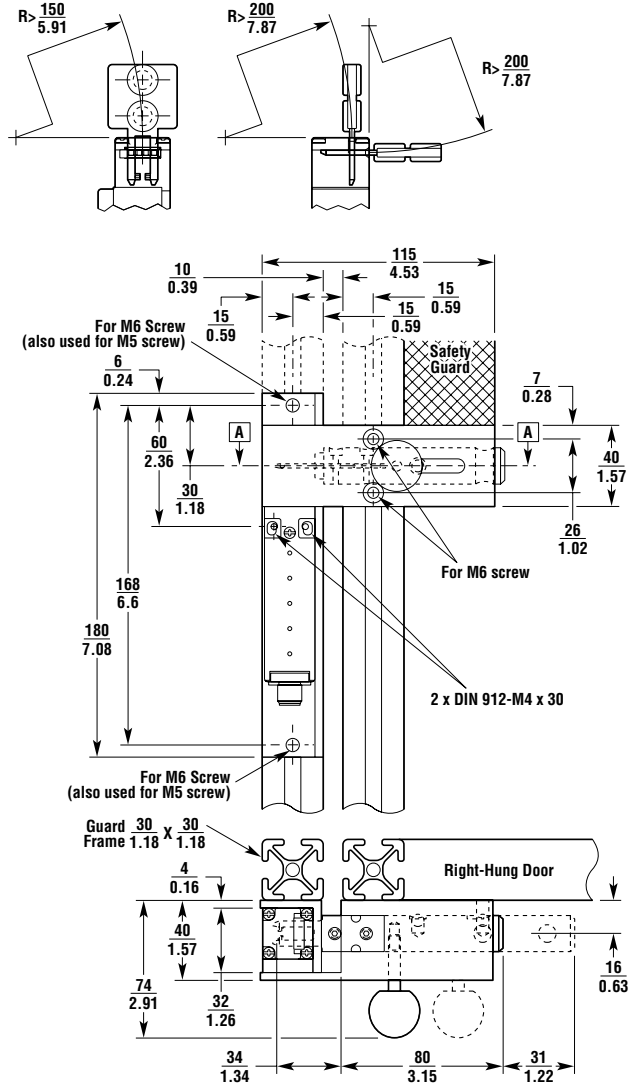
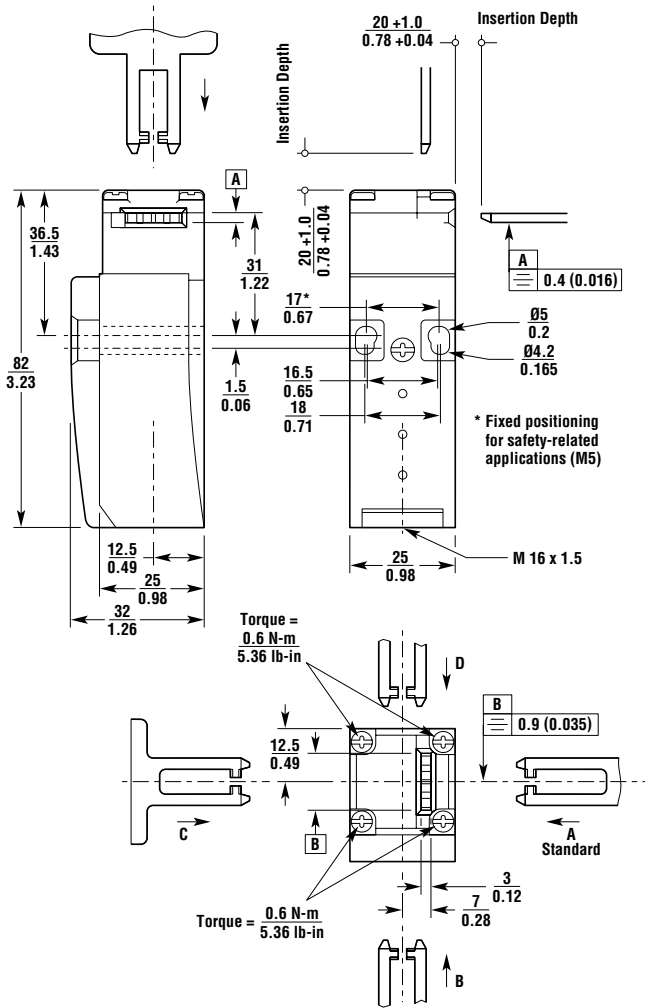
G

safety interlock switches

■ Dimensions — mm/in.

G

safety interlock switches



For More Guarding Products  
See Section N for safeguarding  
cutting and turning machines

## ■ Ordering

<b>T2008 90-DEGREE ACTUATOR</b>	<b>Contacts</b>	<b>Wiring Entry</b>	<b>Part No.</b>
T2008-11SM	1 N/C + 1 N/O	1 x M16 + NPT adapter	44540-0010
T2008-02SM	2 N/C	1 x M16 + NPT adapter	44540-0020
<b>T2008 FLAT ACTUATOR</b>			
T2008-11TM	1 N/C + 1 N/O	1 x M16 + NPT adapter	44540-0110
T2008-02TM	2 N/C	1 x M16 + NPT adapter	44540-0120
<b>T2008 FLAT ACTUATOR WITH RUBBER BUSHING</b>			
T2008-11TRM	1 N/C + 1 N/O	1 x M16 + NPT adapter	44540-0210
T2008-02TRM	2 N/C	1 x M16 + NPT adapter	44540-0220
<b>T2008 SWITCH ONLY (no actuators and no adapters included)</b>			
T2008-11	1 N/C + 1 N/O	1 x M16	44540-2010
T2008-02	2 N/C	1 x M16	44540-2020
<b>ACCESSORIES</b>			
<b>Spare Actuators</b>			
SA40-S00 90-degree actuator			44540-0700
SA40-T10 flat actuator			44540-0710
SA40-TR20 flat actuator with rubber bushings			44540-0720
<b>Stainless Steel Guide</b>			
SM40-SG50 stainless steel guide			44540-0750
<b>Slide Bolt</b>			
SB40-M00 slide bolt left or right hand door with bracket			44540-8000
<b>Mounting Bracket</b>			
SB40-M10 right angle bracket only for mounting T2008/T2011 switches			44540-8010
<b>Adapter</b>			
SC12-M16A00 M16 to 1/2 in. NPT adapter			44512-0300



Universal Mounting Brackets can be used with this product. See page G241 for details.

G

safety interlock switches