

Basic Rack PDU

Rack PDU, Basic, 1U, 30A, 208V, (4) C19s



APC Basic Rack PDU , Input: 208V , Input Connections: NEMA L6-30P , Cord Length: 10 feet (3.05 meters) , Output: 208V , Output Connections: IEC 320 C19

Includes: Installation guide, Rack Mounting brackets



Standard Lead Time: Usually in Stock

AP9570 Features

Resettable circuit breakers	Enables a quick recovery from overload events.
Vertical mounting capability	
Horizontal mounting capability	

Basic Rack PDU Features & Benefits

Agility	
Rack-Mountable	Includes horizontal, vertical, and toolless-mount varieties. Puts power where it is needed most - in the racks near the equipment.
Single input power source	Supply power from one branch whip to multiple pieces of equipment, conveniently powering rack-mount equipment. Saves time and money during installation by using one branch whip and standard connections.
Wide range of input and output connections	Product family includes a variety of input and output connections to distribute 120V, 208V, or 230V power to multiple outlets. Having a variety of inputs and outputs allow users to adapt to varying power requirements. APC offers units that bring up to 14.4kW using a single branch whip.

Output

Nominal Output Voltage	208V
Maximum Total Current Draw per Phase	24A
Output Connections	(4) IEC 320 C19
Overload Protection	Yes

Input

Nominal Input Voltage	208V
Input Frequency	50/60 Hz
Regulatory Derated Input Current (North America)	24A
Input Connections	NEMA L6-30P
Cord Length	10 feet (3.05 meters)
Number of Power Cords	1
Acceptable Input Voltage	200-240 VAC
Maximum Line Current per phase	30A
Maximum Input Current per phase	30A
Load Capacity	4992 VA



Physical

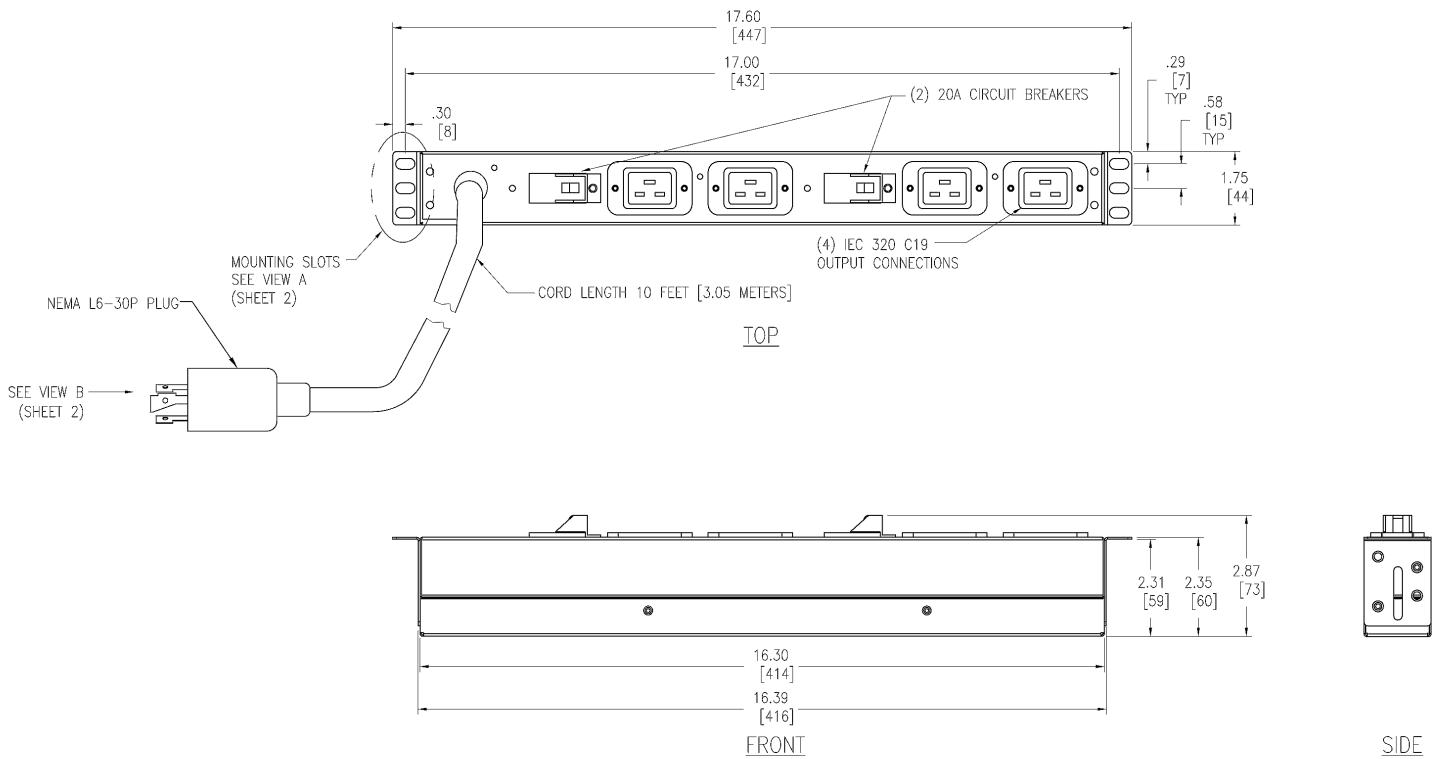
Net Weight	6.00 lbs. (2.73 kg)
Maximum Height	1.75 inches (44 mm)
Maximum Width	17.60 inches (447 mm)
Maximum Depth	2.53 inches (64 mm)
Shipping Weight	8.50 lbs. (3.86 kg)
Shipping Height	2.75 inches (70 mm)
Shipping Width	18.25 inches (464 mm)
Shipping Depth	9.00 inches (229 mm)
Color	Black

Environmental

Operating Environment	32 - 113 °F (0 - 45 °C)
Operating Relative Humidity	0%
Operating Elevation	0-10000 feet (0-3000 meters)
Storage Temperature	-13 - 149 °F (-25 - 65 °C)
Storage Relative Humidity	0%
Storage Elevation	0-50000 feet (0-15000 meters)

Conformance

Regulatory Approvals	cUL Listed,CSA,METI Denan,UL 60950,UL Listed
Standard Warranty	2 years repair or replace
ROHS/WEEE Compliance	RoHS 7b Exemption



NOTES:

1. INSTALLATION SHALL COMPLY WITH ALL APPLICABLE NATIONAL, STATE AND LOCAL CODES.
2. PLEASE REFER TO APC PRODUCT MANUAL.
3. ALL DIMENSIONS ARE IN INCHES [MILLIMETERS].
4. NET WEIGHT IS 6.00 LBS, [3.86 kg].
5. BRACKET KITS TO MOUNT TO SPECIFIC COMPETITORS RACKS ARE AVAILABLE AS OPTIONS.

THIS DRAWING AND SPECIFICATIONS HEREIN ARE THE PROPERTY OF AMERICAN POWER CONVERSION AND SHALL NOT BE COPIED, REPRODUCED OR USED IN WHOLE OR IN PART, AS THE BASIS FOR THE MANUFACTURE OR SALE OF ITEMS WITHOUT WRITTEN PERMISSION FROM APC. THIS DRAWING IS BASED UPON LATEST AVAILABLE INFORMATION AND IS SUBJECT TO CHANGE WITHOUT NOTICE.



TITLE:
 RACK PDU, BASIC, 1U
 INPUT: 208V, 30A, IEC L6-30P
 OUTPUT: 208V, (4) IEC 320 C19
 MAIN MECHANICAL

DWG NO: AP9570 **REV:** 0

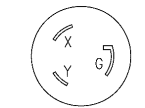
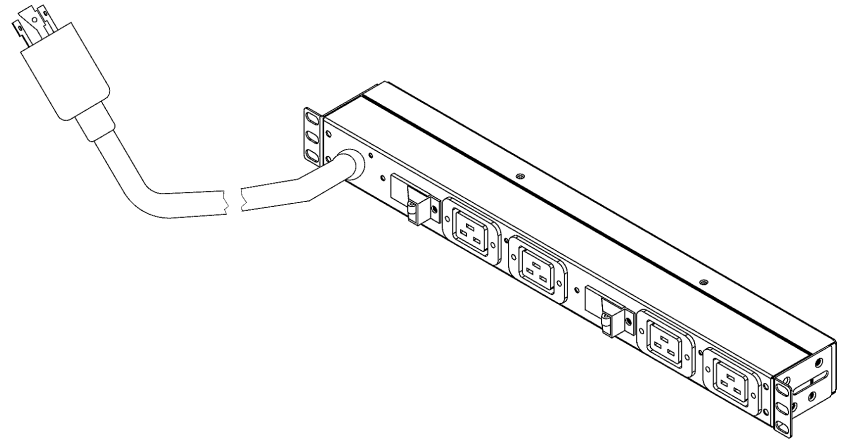
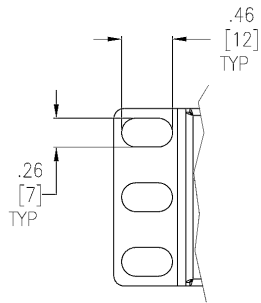
DRAWN BY: B ZAHN

ENGINEER: Y JIANG/T HORSTMANN

APPROVED: B SHERMAN/SIOW'S WASH

PROJECT: SUBMITTAL DRAWINGS **SHEET:** 1 OF 2

THIRD ANGLE PROJECTION



VIEW C
(NEMA L6-30P
ENLARGED)

THIS DRAWING AND SPECIFICATIONS HEREIN ARE THE PROPERTY OF AMERICAN POWER CONVERSION AND SHALL NOT BE COPIED, REPRODUCED OR USED IN WHOLE OR IN PART, AS THE BASIS FOR THE MANUFACTURE OR SALE OF ITEMS WITHOUT WRITTEN PERMISSION FROM APC. THIS DRAWING IS BASED UPON LATEST AVAILABLE INFORMATION AND IS SUBJECT TO CHANGE WITHOUT NOTICE.



TITLE: RACK PDU, BASIC, 1U
INPUT: 208V, 30A, NEMA L6-30P
OUTPUT: 208V, (4) IEC 320 C19
DETAILS & ISOMETRIC VIEW

DWG NO: AP9570 REV: 0

DRAWN: B ZAHN

ENGINEER: Y JIANG/T HORSTMANN

APPROVED: B SHERMAN/E SLOW/S BACH

PROJECT: SUBMITTAL DRAWINGS SHEET 2 OF 2

PROJECTION
ANGLE
N/A