



Part Number
Key Word



Site Search

[TOP](#)

[NEWS RELEASE](#)

[CONNECTORSEARCH](#)

[CATALOG](#)

[SAMPLE](#)

[STOCK CHECK](#)

[TOP](#) > [IL-Z-3PL-SMTYE](#)

Product List

Product Name	IL-Z-3PL-SMTYE
Series Name	IL-Z Series
Lead free	Yes
Contact pitch (mm)	1.25
Connector types	Pin header
Number of contacts	3
PCB side connector styles	Right angle
PCB mounting method	Solder
SMT	Yes
Termination styles	-
Mating side contact finish	Tin
Mouting side contact length (mm)	1.6

Remarks	
Related Documents	
Pair	

Notice:

1. The values specified in this web site are only for reference. The products and their specifications are subject to change without notice. Contact our sales staff for further information before considering or ordering any of our products.
For purchase, a product specification must be agreed upon.
2. Users are requested to provide protection circuits and redundancy circuits to ensure safety of the equipment, and sufficiently review the suitability of JAE's products to the equipment.
3. The products presented in this web site are designed for the uses recommended below. We strongly suggest you contact our sales staff when considering use of any of the products in any other way than the recommended applications or for a specific use that requires an extremely high reliability.

(1) Applications that require consultation:

- (i) Please contact us if you are considering use involving a quality assurance program that you specify or that is peculiar to the industry, such as:
Automotive electrical components, train control, telecommunications devices (mainline), traffic light control, electric power, combustion control, fire prevention or security systems, disaster evention equipment, etc.

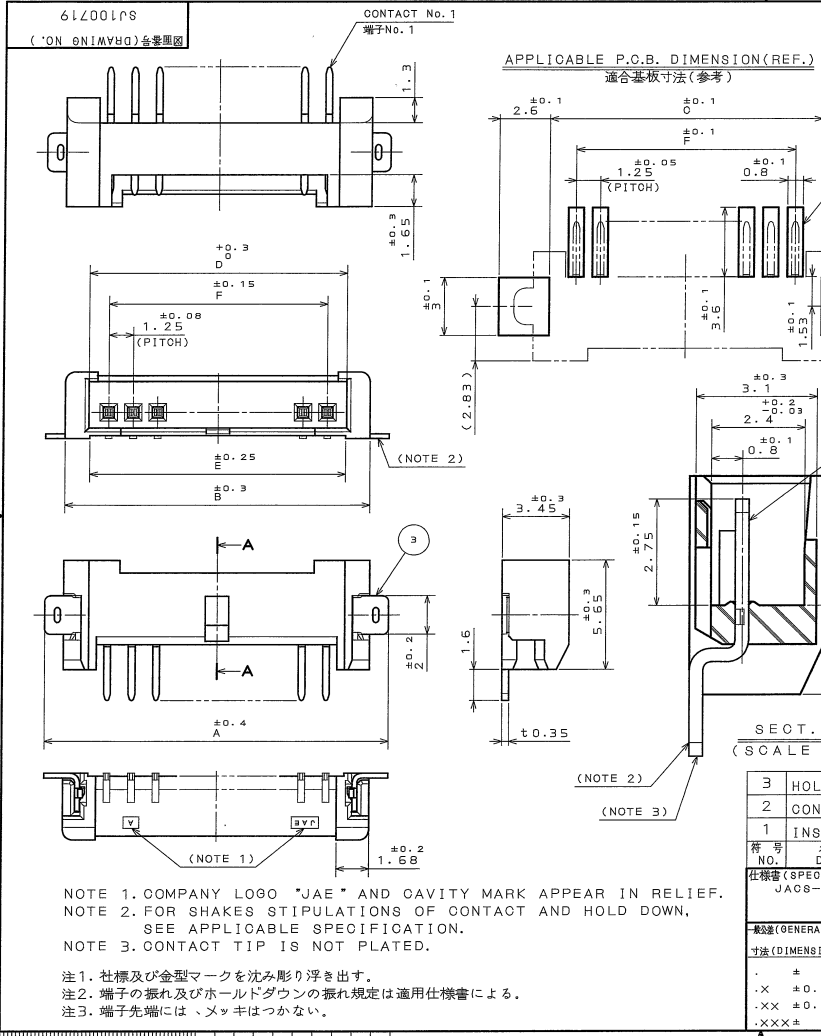
(ii) We may separately give you our support with a quality assurance program that you specify, when you think of a use such as :

Aviation or space equipment, submarine repeaters, nuclear power control systems, medical equipment for life support, etc.

(2) Recommended applications include:

Computers, office appliances, telecommunications devices (terminals, mobile units), measuring equipment, audiovisual equipment, home electric appliances, factory automation equipment, etc

Copyright (C) 2002-2008, Japan Aviation Electronics Industry, Ltd.



版数 REV.	年月日 DATE	DGN NO.	変更内容 DESCRIPTION	製図 DR.	担当 CHK.	套割 APPD.	承認 APPD.

命名法

IL-Z-*PL-SMTYE

(LEAD FREE)TIN/TIN ALLOY (無鉛又は錫合金)

SURFACE MOUNT TYPE 貼付方法

ANGLE TYPE コンタクト形状

P: PIN CONTACT コンタクト区分 P: ピンコンタクト

NO. OF CONTACT 芯数

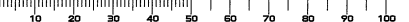
SERIES シリーズ名

TABLE 1. PART No., No. OF CONTACT AND DIMENSIONS 表-1 名称、芯数及び寸法

PART No. 名称	No. OF CONTACT 芯数	DIMENSIONS 寸法					
		A	B	C	D	E	F
IL-Z- 2PL-SMTYE	2	7.65	5.65	4.45	3.25	3.15	1.25
IL-Z- 3PL-SMTYE	3	8.9	6.9	5.7	4.5	4.4	2.5
IL-Z- 4PL-SMTYE	4	10.15	8.15	6.95	5.75	5.65	3.75
IL-Z- 5PL-SMTYE	5	11.4	9.4	8.2	7	6.9	5
IL-Z- 6PL-SMTYE	6	12.65	10.65	9.45	8.25	8.15	6.25
IL-Z- 7PL-SMTYE	7	13.9	11.9	10.7	9.5	9.4	7.5
IL-Z- 8PL-SMTYE	8	15.15	13.15	11.95	10.75	10.65	8.75
IL-Z- 9PL-SMTYE	9	16.4	14.4	13.2	12	11.9	10
IL-Z-10PL-SMTYE	10	17.65	15.65	14.45	13.25	13.15	11.25
IL-Z-11PL-SMTYE	11	18.9	16.9	15.7	14.5	14.4	12.5
IL-Z-12PL-SMTYE	12	20.15	18.15	16.95	15.75	15.65	13.75
IL-Z-13PL-SMTYE	13	21.4	19.4	18.2	17	16.9	15
IL-Z-14PL-SMTYE	14	22.65	20.65	19.45	18.25	18.15	16.25
IL-Z-15PL-SMTYE	15	23.9	21.9	20.7	19.5	19.4	17.5

3	HOLD DOWN	PHOSPHOR BRONZE	(LEAD FREE)TIN/TIN ALLOY
2	CONTACT	TABLE1 BRASS	TIN PLATING
1	INSULATOR	PPS	UL94V-0 COLOR:BE10E
符号 NO.	名称 DESCRIPTION	個数 QTY.	材料 MATERIAL
仕様書 (SPECIFICATION) JACS-1266-*		第1版 (ORIGINAL DATE) 19.Feb.2004	
公差 (GENERAL TOLERANCE)		角度 (ANGLES)	
寸法 (DIMENSION)		X° ±	
. ± ±0.2		X° ±	
.X ±0.2		X° ±	
.XX ±0.1		X° ±	
.XXX ±			
製図 DR.		H.TAKAHASHI	
検査 CHK.		H.TAKAHASHI	
実測 APPD.		Y.YAHIRO	
承認 APPD.		S. Kashiwagi	
名称 (TITLE)		IL-Z-*PL-SMTYE	
重量 (WEIGHT)			
図面番号 (DRAWING NO.)		SU100719	
版数 (REV.)		1	

DDP-0-212E(03.08)



LEAD FREE この製品は鉛フリー品です

JAE CONNECTOR DIV. PROPRIETARY. COPYRIGHT (C) 2004, JAPAN AVIATION ELECTRONICS INDUSTRY, LTD.

SIZE A3