



Commercial CCR-53 Miniature DC-26.5GHz SPDT Switch Failsafe

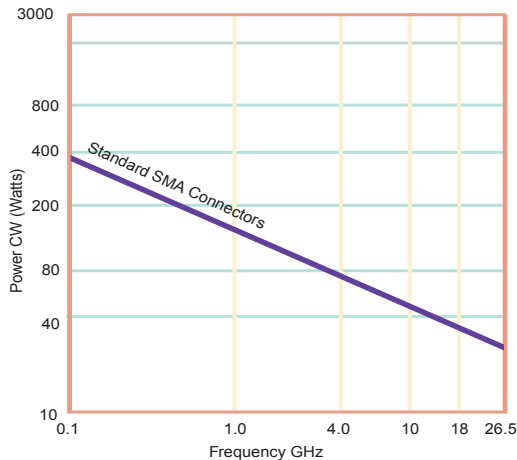
The CCR-53 Switch is a broadband, SPDT, electromechanical, coaxial switch designed to switch a microwave signal from a common input to either of two outputs. The characteristic impedance is 50 Ohms. The switches are small with connector spacing compatible with SMA connectors.

The CCR-53 series switch is offered with either a failsafe or latching actuator. This design is compatible with the two most common mounting hole patterns. The CCR-53 series switch is interchangeable with a variety of switches.

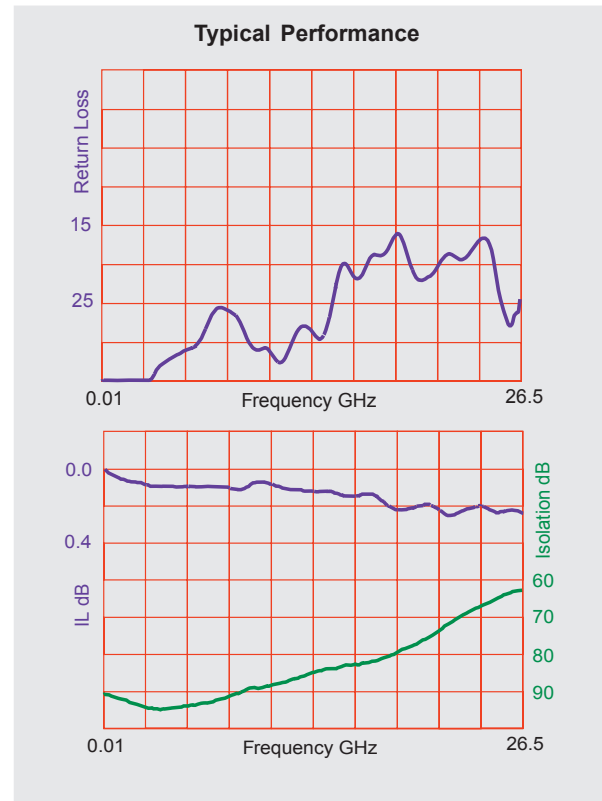
Specifications

| | | | | |
|---------------------------|---|-----|-----|----|
| RF Contacts: | Break before make | | | |
| Actuator | Voltage (VDC) 20°C | 12 | 15 | 28 |
| | Current (mA) | 200 | 160 | 90 |
| Switching Time: | 20 msec max | | | |
| Connectors: | SMA (f) | | | |
| Weight: | 1.65 oz. max | | | |
| Temperature Range: | -40°C to +65°C (Operating) | | | |
| Shock: | MIL-STD-202 Method 213, Condition D (500G Non Operating) | | | |
| Vibration: | MIL-STD-202 Method 214, Condition D (10G RMS Non Operating) | | | |
| Humidity: | Moisture Seal Available | | | |
| MTBF: | 7.3 Million Hours (MIL-HDBK-217F Fixed, 25°C, <1 Cycle per hour) | | | |

RF Power Handling



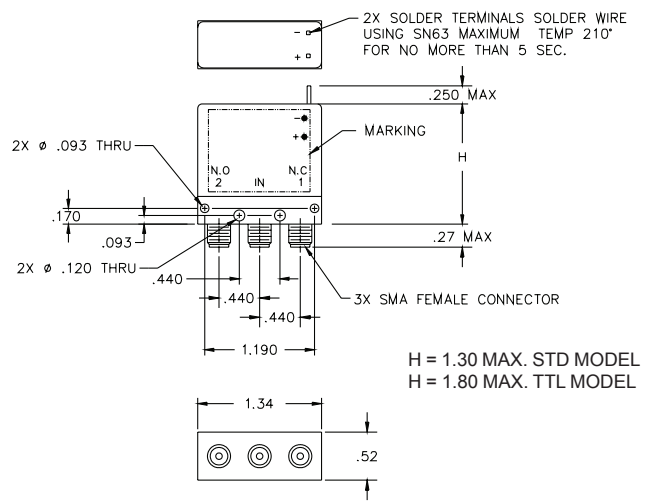
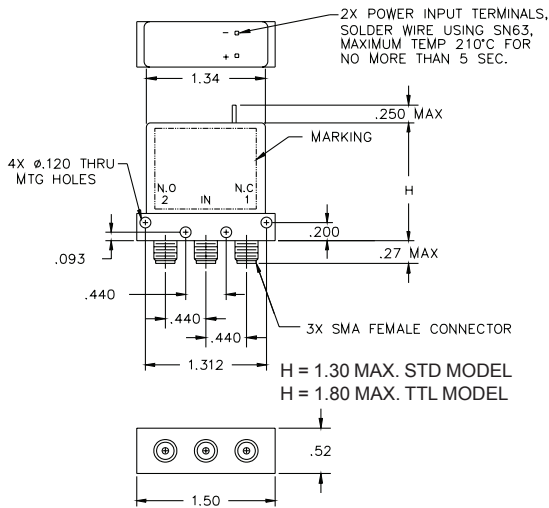
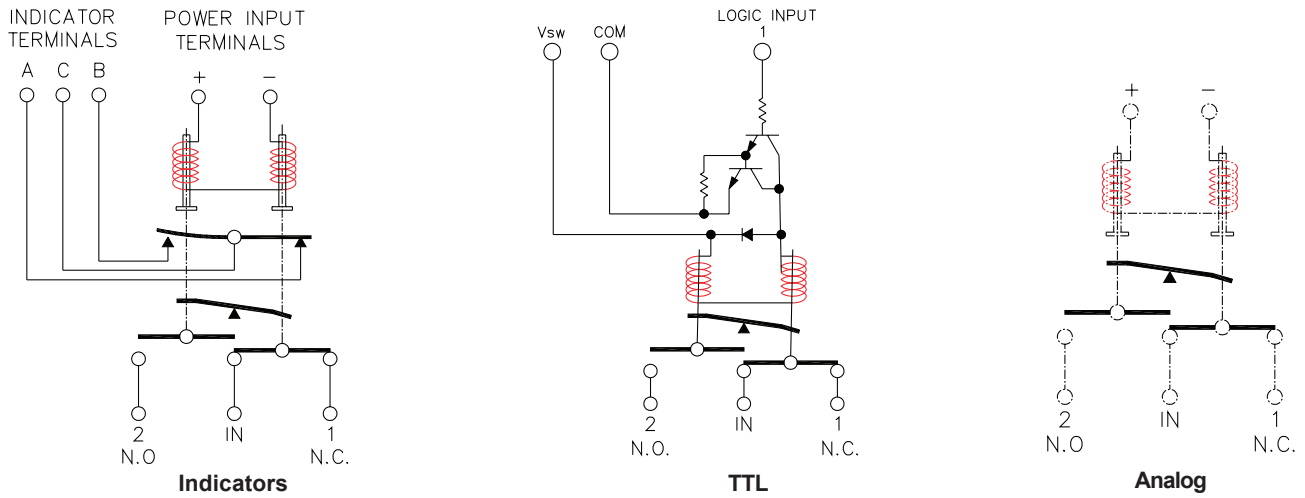
| Specifications | DC-6 GHz | 6-12 GHz | 12-18 GHz | 18-26.5GHz |
|----------------------|----------|----------|-----------|------------|
| VSWR (max) | 1.25:1 | 1.40:1 | 1.50:1 | 1.80:1 |
| Insertion Loss (min) | 0.20 dB | 0.40 dB | 0.50 dB | 0.70 dB |
| Isolation (max) | 70.0 dB | 60.0 dB | 60.0 dB | 50.0 dB |



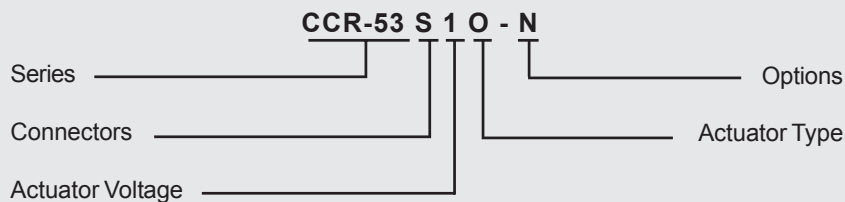
Commercial CCR-53

Miniature DC-26.5GHz SPDT Switch

Failsafe



Part Numbering System for CCR-53 (Failsafe)



Connector
S: SMA Female #

Actuator Voltage
1: 28Vdc Failsafe #
2: 15Vdc Failsafe #
3: 12Vdc Failsafe #

Actuator Type
O: No Indicator Contacts #
C: Indicator Contacts #

Options
T: TTL Drivers with Diodes
N: Narrow Body #
R: Positive + Common

For other options contact Factory

#: Stock item subject to prior sale

