

Switch-Tek

Ultrasonic Level Switch

Features

- ✓ 1A relay selectable NO or NC via power supply wiring polarity
- ✓ CSA & Cenelec approved intrinsically safe for use in hazardous areas

Specifications

Orientation:	Universal
Accuracy:	± 1 mm in water
Repeatability:	± 0.5 mm in water
Supply voltage:	12-36 VDC
Consumption:	25 mA maximum
Contact type:	(1) SPST relay
Contact rating:	GP: 60 VA IS: 32 VDC @ 0.5A
Contact output:	Selectable NO/NC
Process temp.:	F: -40° to 176° C: -40° to 80°
Pressure:	150 psi (10 bar) @ 25° C., derated @ 1.667 psi (.113 bar) per °C. above 25° C.
Sensor rating:	NEMA 6 (IP68): PP NEMA 4X (IP65): PFA
Sensor material:	1__5: PP 2__5: PFA
Cable jacket mat.:	1__5: PP 2__5: PFA
Cable type:	4-conductor, #22 AWG (shielded)
Cable length:	Standard: 10' (3m) Special order: 25' (7.6m) or 50' (15.2m)
Process mount:	3/4" NPT (3/4" G / Rp)
Mount. gasket:	Viton® (G version only)
Classification:	Intrinsically safe
CE compliance:	EN 61326 EMC EN 61010-1 safety



Description

CSA and Cenelec approved intrinsically safe use in general purpose or hazardous applications, the ultrasonic level switch is broadly applied in chemical, waste, hydrocarbon and petroleum based liquids. Media examples include sulfuric acid, diesel fuel and wastewater. The sensor is universally mounted through the wall or inside the tank, and is compatible with the MicroPoint indicator.

Switch-Tek Ordering

LU10-□□□5

Sensor material (1)

- 1 PP
- 2 PFA

Sensor length

- 3 Short
- 4 Long

Process mount (2) (3)

- 0 3/4" NPT (US)
- 2 3/4" G / Rp (Metric)

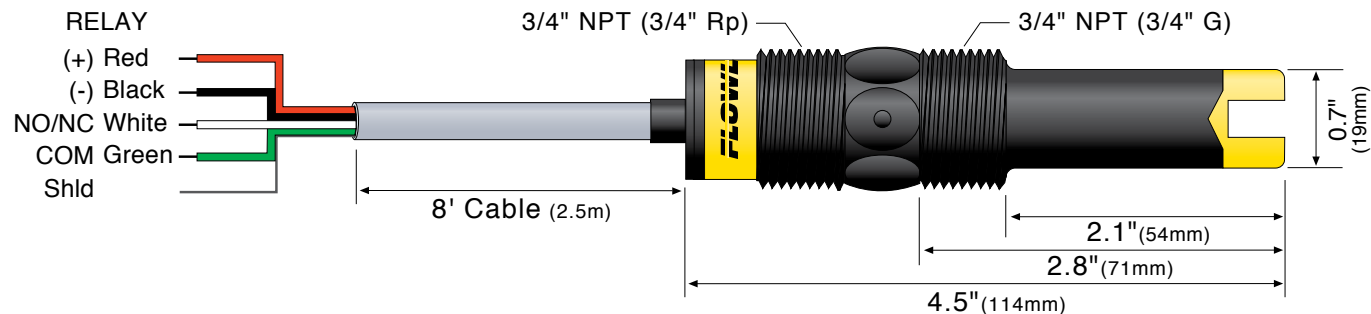
Ordering Notes

- 1) To special order a 25' (7.6m) or 50' (15.2m) sensor cable, place the cable length at the end of the part number (ie: LU10-1305-25).
- 2) The short Metric sensor is offered with conical Rp threads on both sides of the wrench flat. The long Metric sensor is offered with straight G threads on the sensing side and conical Rp threads on the cable side of the wrench flat.
- 3) The straight G thread version seals with an included Viton® mounting gasket.

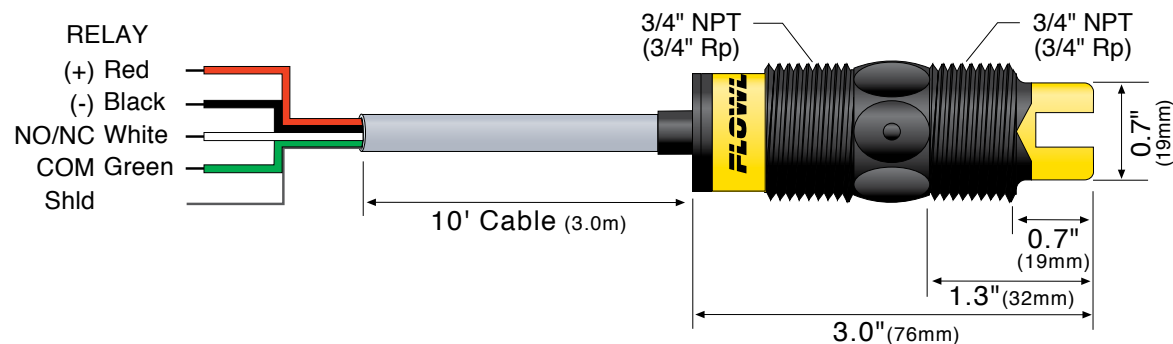
Switch-Tek

Ultrasonic Level Switch

LU10-_4_5 Profile

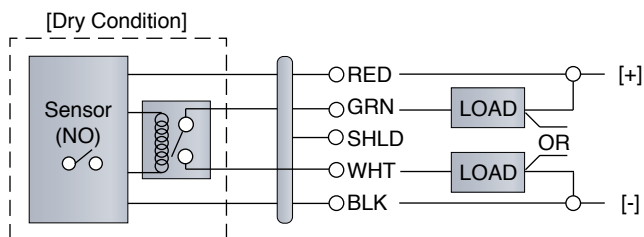


LU10-_3_5 Profile



Specifications are subject to change without notice.

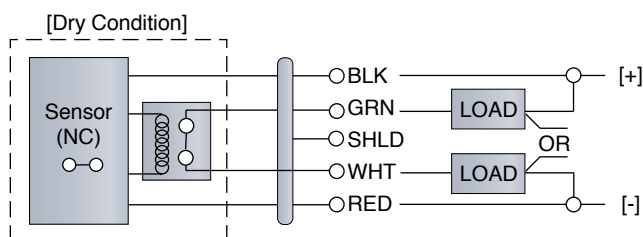
NO Output - DC Powered Load



SENSOR POWER
 [RED & BLK Wires]
 36 VDC Max.
 5 ±1 mA Dry
 19 ±1 mA Wet

RELAY RATING
 [GRN & WHT Wires]
 60 VA Max.

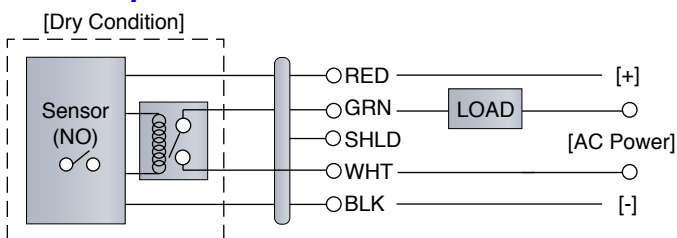
NC Output - DC Powered Load



SENSOR POWER
 [RED & BLK Wires]
 36 VDC Max.
 19 ±1 mA Dry
 5 ±1 mA Wet

RELAY RATING
 [GRN & WHT Wires]
 60 VA Max.

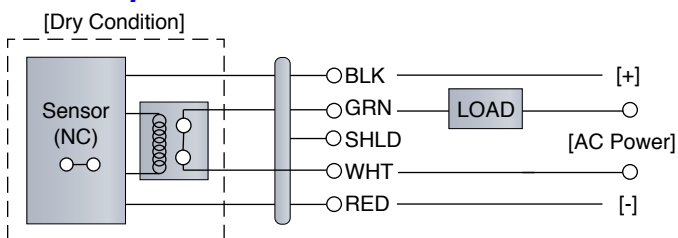
NO Output - AC Powered Load



SENSOR POWER
 [RED & BLK Wires]
 36 VDC Max.
 5 ±1 mA Dry
 19 ±1 mA Wet

RELAY RATING
 [GRN & WHT Wires]
 60 VA Max.

NC Output - AC Powered Load



SENSOR POWER
 [RED & BLK Wires]
 36 VDC Max.
 19 ±1 mA Dry
 5 ±1 mA Wet

RELAY RATING
 [GRN & WHT Wires]
 60 VA Max.