

DataLoop *Intrinsically Safe Loop Powered Meter*



SPECIFICATIONS

Display type:	LCD, 5-digit
Display units:	Engineering
Decimal point:	Floating
Display output:	-99999 to 999999
Display height:	0.6" (15 mm)
Backlight:	LED, bright orange
User interface:	Four push button
Sensor input:	(1) 4-20 mA transmitter
Loop power:	12-30 VDC
Memory:	Non-volatile
Voltage drop:	2.0 VDC w/o backlight 5.7 VDC w/backlight
Ambient temp.:	F: -22° to 149° C: -30° to 65°
Enclosure type:	1/8 DIN, panel mount
Enclosure rating:	NEMA 4X (IP65) faceplate
Enclosure mat'l:	Polycarbonate
Classification:	LI25-2001: Intrinsically safe LI25-1001: General purpose
Approvals (LI25):	FM, CSA: Class I, Div I, Groups A, B, C, D; Class II, Div I, Groups E, F, G; Class III, Div I; Class I, Zone 0, Group IIC; T-code = T4

FEATURES

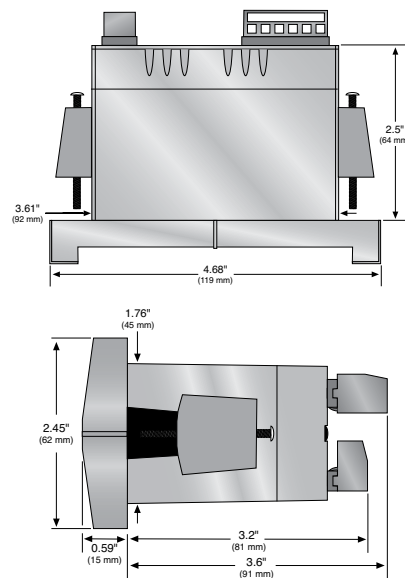
- ✓ Offered in intrinsically safe and general purpose configurations
- ✓ Large 5 digit LCD main display with secondary unit and bar graph display
- ✓ Intuitive push button menu makes configuration fast and easy
- ✓ 1/8 DIN enclosure with NEMA 4X faceplate and shallow depth case
- ✓ Linear, square root and programmable exponent functions
- ✓ Non-volatile memory ensures program and set point retention
- ✓ Accessory NEMA 4X windowed enclosure for field installation

APPLICATION

Offered in intrinsically safe and general purpose configurations, the loop powered panel meter displays engineering units connected in series with one 4-20 mA transmitter. Select the LI25-2001 meter for hazardous applications with an intrinsically safe level transmitter. Select the LI25-1001 meter for general purpose applications. For field mount installations, order the single or two meter NEMA box.

TECH TIP

For field mount installation in a rugged NEMA 4X, corrosion resistant PC windowed enclosure, order the LM92 single meter or the LM93 two meter box. Each comes with precut panels and mounting hardware. It's indication made simple.



DataLoop

LI25-□001

Configuration (1)

- 2 Intrinsically safe
- 1 General purpose



Ordering Notes

- 1) For field mount installation in a NEMA 4X polycarbonate windowed enclosure, order the LM92-1001 (single meter box) or the LM93-1001 (two meter box).