

DC Series  
Tubeaxial  
Cooling Fans  
Model No. D16T06

1.60" Sq. x .60"  
(41 mm Sq. x 15 mm)  
6-8 CFM  
(2.8-3.8 L/Sec.)



**Features**

- Solid-state brushless motor design provides:
  - Improved performance
  - High efficiency
  - Auto restart
  - Low input power
  - Lower operating voltages
- Precision ball bearing system provides:
  - Longer life
  - Higher temperature extremes
  - Lower noise over time
  - Maximum shock and vibration resistance
- Designed to meet the rigid standards of UL, CSA, VDE, and CE.

**Accessories:**

Finger guards

**General Specifications**

**Frame:** Reinforced polybutylene plastic (UL94V-0 rating)

**Impeller:** Reinforced polybutylene plastic (UL94V-0 rating)

**Bearings:** Precision, life-lubricated ball bearings

**Insulation:** UL-Class A

**Weight:** .71 ozs. (20 grams)

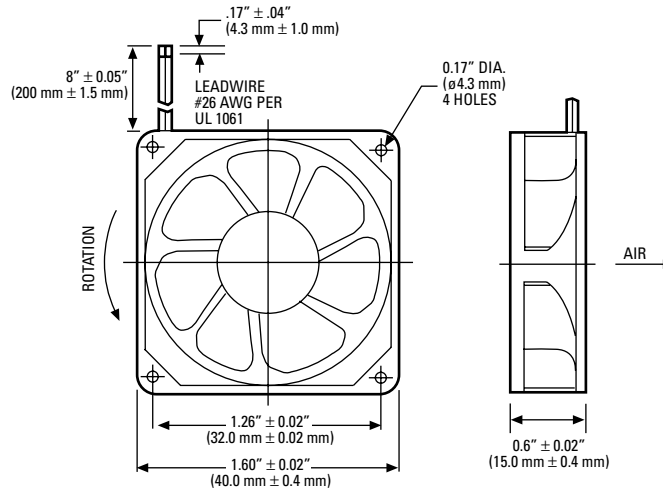
**Operating Temperature Range:** 14° to 158°F (-10° to 70°C)

**Insulation Resistance:** 10 megohms minimum @ 500 VDC

**Dielectric Strength:** 700 VAC for 3 seconds

**Safety Protection:** Electronic locked rotor protected; polarity protected

**Life Expectancy:** 50,000 hours minimum @ 77°F (25°C)

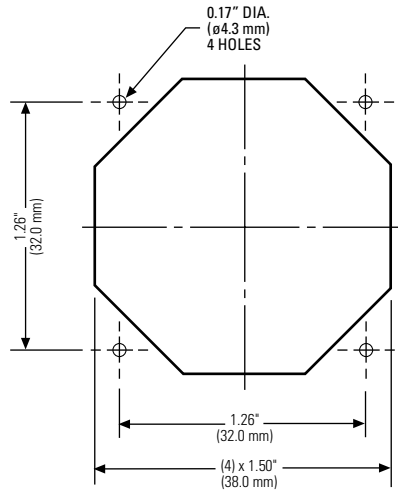


RED LEAD IS POSITIVE (+)  
BLACK LEAD IS NEGATIVE (-)

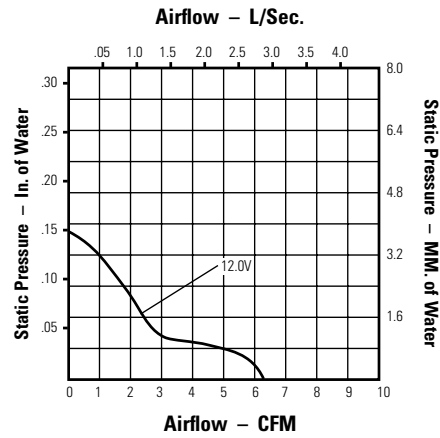
Globe Motors Part Number	Nominal Voltage VDC	Voltage Operating Range VDC	Watts	Line Amps	RPM	Acoustic Noise dBA	Airflow (Min.)	
							CFM	Liters per Second
D16-B06A-04W3-000	12	10.2 / 13.8	0.804	0.067	6000	28	6	2.8
D16-B06A-04W5-000	12	10.2 / 13.8	1.02	0.085	8000	34	8	3.8

\*Note: For tachometer output models, substitute "B" in part number. Part Number D16-B06"A"-04W3-000 would change to D16-B06"B"-04W3-000. Minimum order quantity may apply.  
For locked rotor sensor output models, substitute "C" in part number. Part Number D16-B06"A"-04W3-000 would change to D16-B06"C"-04W3-000. Minimum order quantity may apply.

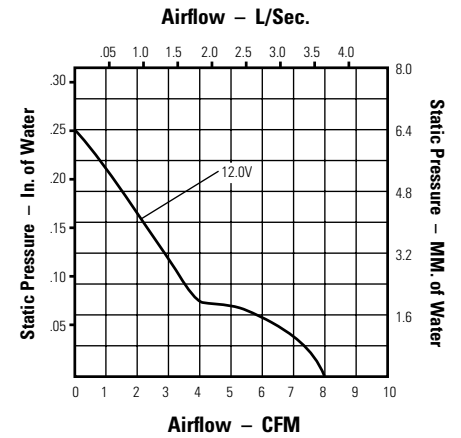
## Installation Guide



## Performance at Sea Level



**D16-B06A-04W3-000**



**D16-B06A-04W5-000**

## Approvals



**UL File No.**  
**E105397**



**CSA File No.**  
**72877**



**VDE File No.**  
**17074-2611-0707**



All operating specifications measured at nominal operating voltage, free air at sea level

## NOTES: