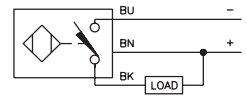
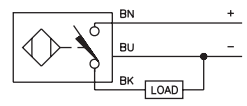
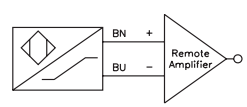
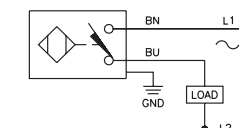
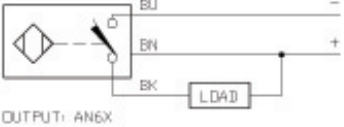
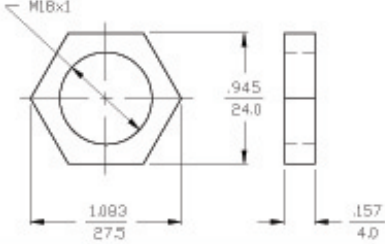
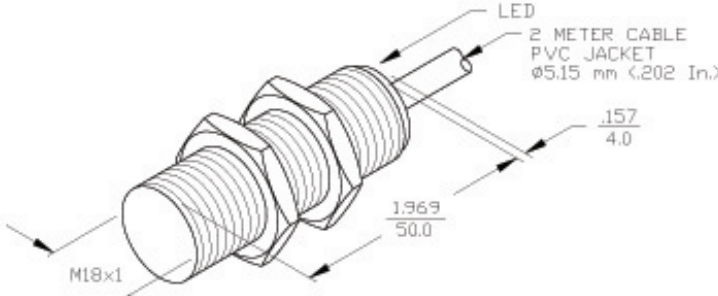
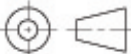
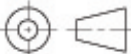
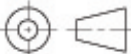


Inductive Sensors



Housing Style	Part Number	ID Number	Features	Sensing Range (mm)	Output
18 mm - Embeddable, Full Threading, Potted-In Cable 	Bi 5-G18K-AN6X	T4671400	<i>Short Barrel</i>	5	3-Wire DC NPN
	Bi 5-G18K-AN7X	T4740593	<i>TTL Compatible</i>	5	
	Bi 5-G18K-AP6X	T4670400		5	3-Wire DC PNP
	Bi 5-EG18-Y0	T1006001		5	2-Wire NAMUR
	Bi 5-G18-Y0	T1006000		5	
	Bi 5-G18-Y0X	T4015000		5	
18 mm - Embeddable, Full Threading, Potted-In Cable 	Bi 5-EG18-AN6X	T4611101		5	3-Wire DC NPN
	Bi 5-G18-AN6X	T4641500		5	
	Bi 5-G18-AN7X	T4740500	<i>TTL Compatible</i>	5	
	Bi 8-G18-AN6X	T4616101	<i>Ext. Range</i>	8	
	Bi 5-EG18-AP6X	T4611001		5	3-Wire DC PNP
	Bi 5-G18-AP6X	T4641400		5	
Bi 8-G18-AP6X	T4615088		8		
18 mm - Embeddable, Full Threading, Potted-In Cable 	Bi 5-G18-ADZ30X2	T4212000		5	2-Wire AC/DC Short-Circuit Protected
	Bi 8-G18-ADZ30X2	T4209320	<i>Extended Range</i>	8	
	Bi 5-EG18-AZ3X	T4611190		5	2-Wire AC/DC
	Bi 5-G18-AZ3X	T4330400		5	
	Bi 5-G18-AZ3X2	T1374195		5	

Output	Switching Freq. (Hz)	Operating Current (mA) VAC/VDC	Operating Temp. (°C)	Protection	Housing	Face	End Cap	Power LED	Output LED	Cable Length/ Cable /Mat.	Wiring Diagram #	Wiring Diagrams
10-30 VDC	1000	≤200	-25 to +70	IP 67	CPB	PA 12	EPTR	N/A	YE	2M/PVC	1	Diagram 1 
	1000	≤200	-25 to +70	IP 67	CPB	PA 12	EPTR	N/A	YE	2M/PVC	1	
10-30 VDC	1000	≤200	-25 to +70	IP 67	CPB	PA 12	EPTR	N/A	YE	2M/PVC	2	Diagram 2 
5-30 VDC	1000	Remote	-25 to +70	IP 67	SS	PA 12	EPTR	N/A	N/A	2M/PVC	3	
	1000	Remote	-25 to +70	IP 67	CPB	PA 12	EPTR	N/A	N/A	2M/PVC	3	
	1000	Remote	-25 to +70	IP 67	CPB	PA 12	EPTR	N/A	YE	2M/PVC	3	
10-30 VDC	1000	≤200	-25 to +70	IP 67	SS	PA 12	EPTR	N/A	YE	2M/PVC	1	Diagram 3 
	1000	≤200	-25 to +70	IP 67	CPB	PA 12	EPTR	N/A	YE	2M/PVC	1	
	1000	≤150	-25 to +70	IP 67	CPB	PA 12	EPTR	N/A	YE	2M/PVC	1	
	500	≤200	-25 to +70	IP 67	SS	PA 12	EPTR	N/A	YE	2M/PVC	1	
10-30 VDC	1000	≤200	-25 to +70	IP 67	SS	PA 12	EPTR	N/A	YE	2M/PVC	2	Diagram 4 
	1000	≤200	-25 to +70	IP 67	CPB	PA 12	EPTR	N/A	YE	2M/PVC	2	
	500	≤200	-25 to +70	IP 67	SS	PA 12	EPTR	N/A	YE	2M/PVC	2	
20-250 VAC 10-300 VDC	20	≤400/300	-25 to +70	IP 67	CPB	PA 12	EPTR	GN	RD	2M/PVC	4	
	20	≤400/300	-25 to +70	IP 67	SS	PA 12	EPTR	GN	RD	2M/PVC	4	
20-250 VAC 10-300 VDC	20	≤400/300	-25 to +70	IP 67	SS	PA 12	EPTR	N/A	RD	2M/PVC	4	
	20	≤400/300	-25 to +70	IP 67	CPB	PA 12	EPTR	N/A	RD	2M/PVC	4	
	20	≤400/300	-25 to +70	IP 67	CPB	PA 12	EPTR	N/A	RD	2M/PVC	4	

WIRING DIAGRAMS	LOCKNUT LN-M18	SPECIFICATIONS																																																			
 <p>OUTPUT: AN6X</p> <p>SHORT-CIRCUIT AND OVERLOAD PROTECTED</p>		<table border="1"> <tr><td>OPERATING VOLTAGE</td><td>10-30 VDC</td></tr> <tr><td>RIPPLE</td><td>≤10%</td></tr> <tr><td>DIFFERENTIAL TRAVEL (HYSTERESIS)</td><td>3-15% (5% TYPICAL)</td></tr> <tr><td>VOLTAGE DROP ACROSS CONDUCTING SENSOR</td><td>≤1.8 V at 200 mA</td></tr> <tr><td>OUTPUT FUNCTION</td><td>NORMALLY OPEN 3-WIRE DC SELF-CONTAINED</td></tr> <tr><td>TTL COMPATIBLE</td><td>NO</td></tr> <tr><td>SHORT-CIRCUIT PROTECTED</td><td>YES</td></tr> <tr><td>TRIGGER CURRENT FOR OVERLOAD PROTECTION</td><td>≥220 mA</td></tr> <tr><td>CONTINUOUS LOAD CURRENT</td><td>≤200 mA</td></tr> <tr><td>OFF-STATE (LEAKAGE) CURRENT</td><td><10 μA</td></tr> <tr><td>NO-LOAD CURRENT</td><td>5.5-9.5 mA</td></tr> <tr><td>TIME DELAY BEFORE AVAILABILITY</td><td>≤8 ms</td></tr> <tr><td>POWER-ON EFFECT PROTECTION</td><td>INCORPORATED</td></tr> <tr><td>REVERSE POLARITY PROTECTION</td><td>INCORPORATED</td></tr> <tr><td>WIRE-BREAK PROTECTION</td><td>INCORPORATED</td></tr> <tr><td>PROTECTION AGAINST TRANSIENTS</td><td>≥ kV, 1 ms, 1 kΩ</td></tr> <tr><td>OPERATING TEMPERATURE</td><td>-25°C to +70°C (-13°F to +158°F)</td></tr> <tr><td>ENCLOSURE</td><td>MEETS NEMA 1, 3, 4, 6, 13 AND IEC IP67</td></tr> <tr><td>SHOCK</td><td>30 g, 11 ms</td></tr> <tr><td>VIBRATION</td><td>55 Hz, 1 mm AMPLITUDE (ON ALL 3 PLANES)</td></tr> <tr><td>LED FUNCTION</td><td>RED OUTPUT ENERGIZED</td></tr> <tr><td>RATED OPERATING DISTANCE(Sn)</td><td>5 mm = .197" (NOMINAL)</td></tr> <tr><td>SWITCHING FREQUENCY</td><td>1000 Hz</td></tr> <tr><td>REPEATABILITY</td><td>≤2% of RATED OPERATING DISTANCE</td></tr> <tr><td>EMBEDDABLE (SHIELDED)</td><td>YES</td></tr> </table>		OPERATING VOLTAGE	10-30 VDC	RIPPLE	≤10%	DIFFERENTIAL TRAVEL (HYSTERESIS)	3-15% (5% TYPICAL)	VOLTAGE DROP ACROSS CONDUCTING SENSOR	≤1.8 V at 200 mA	OUTPUT FUNCTION	NORMALLY OPEN 3-WIRE DC SELF-CONTAINED	TTL COMPATIBLE	NO	SHORT-CIRCUIT PROTECTED	YES	TRIGGER CURRENT FOR OVERLOAD PROTECTION	≥220 mA	CONTINUOUS LOAD CURRENT	≤200 mA	OFF-STATE (LEAKAGE) CURRENT	<10 μA	NO-LOAD CURRENT	5.5-9.5 mA	TIME DELAY BEFORE AVAILABILITY	≤8 ms	POWER-ON EFFECT PROTECTION	INCORPORATED	REVERSE POLARITY PROTECTION	INCORPORATED	WIRE-BREAK PROTECTION	INCORPORATED	PROTECTION AGAINST TRANSIENTS	≥ kV, 1 ms, 1 kΩ	OPERATING TEMPERATURE	-25°C to +70°C (-13°F to +158°F)	ENCLOSURE	MEETS NEMA 1, 3, 4, 6, 13 AND IEC IP67	SHOCK	30 g, 11 ms	VIBRATION	55 Hz, 1 mm AMPLITUDE (ON ALL 3 PLANES)	LED FUNCTION	RED OUTPUT ENERGIZED	RATED OPERATING DISTANCE(Sn)	5 mm = .197" (NOMINAL)	SWITCHING FREQUENCY	1000 Hz	REPEATABILITY	≤2% of RATED OPERATING DISTANCE	EMBEDDABLE (SHIELDED)	YES
OPERATING VOLTAGE	10-30 VDC																																																				
RIPPLE	≤10%																																																				
DIFFERENTIAL TRAVEL (HYSTERESIS)	3-15% (5% TYPICAL)																																																				
VOLTAGE DROP ACROSS CONDUCTING SENSOR	≤1.8 V at 200 mA																																																				
OUTPUT FUNCTION	NORMALLY OPEN 3-WIRE DC SELF-CONTAINED																																																				
TTL COMPATIBLE	NO																																																				
SHORT-CIRCUIT PROTECTED	YES																																																				
TRIGGER CURRENT FOR OVERLOAD PROTECTION	≥220 mA																																																				
CONTINUOUS LOAD CURRENT	≤200 mA																																																				
OFF-STATE (LEAKAGE) CURRENT	<10 μA																																																				
NO-LOAD CURRENT	5.5-9.5 mA																																																				
TIME DELAY BEFORE AVAILABILITY	≤8 ms																																																				
POWER-ON EFFECT PROTECTION	INCORPORATED																																																				
REVERSE POLARITY PROTECTION	INCORPORATED																																																				
WIRE-BREAK PROTECTION	INCORPORATED																																																				
PROTECTION AGAINST TRANSIENTS	≥ kV, 1 ms, 1 kΩ																																																				
OPERATING TEMPERATURE	-25°C to +70°C (-13°F to +158°F)																																																				
ENCLOSURE	MEETS NEMA 1, 3, 4, 6, 13 AND IEC IP67																																																				
SHOCK	30 g, 11 ms																																																				
VIBRATION	55 Hz, 1 mm AMPLITUDE (ON ALL 3 PLANES)																																																				
LED FUNCTION	RED OUTPUT ENERGIZED																																																				
RATED OPERATING DISTANCE(Sn)	5 mm = .197" (NOMINAL)																																																				
SWITCHING FREQUENCY	1000 Hz																																																				
REPEATABILITY	≤2% of RATED OPERATING DISTANCE																																																				
EMBEDDABLE (SHIELDED)	YES																																																				
		<table border="1"> <tr> <td>MATERIAL</td> <td>BRASS BARREL</td> <td>3RD ANGLE PROJECTION</td> <td rowspan="2"></td> <td rowspan="2">TUBOK INC</td> </tr> <tr> <td>FINISH</td> <td>COPPER/NICKEL/ CHROME PLATING</td> <td></td> </tr> <tr> <td>DRWN</td> <td>GMB</td> <td>DATE</td> <td>9/14/88</td> <td>PART NO.</td> <td>B15-G18-AN6X 50mm</td> </tr> <tr> <td>DWG</td> <td></td> <td>DATE</td> <td></td> <td>SIZE</td> <td>B</td> </tr> <tr> <td>TITLE</td> <td></td> <td>DATE</td> <td></td> <td>3D NO.</td> <td>4641500</td> </tr> <tr> <td colspan="2">REVISIONS</td> <td>SCALE</td> <td>NONE</td> <td>BMPC-IN\4641500</td> <td>SHEET</td> <td>OF</td> </tr> </table>		MATERIAL	BRASS BARREL	3RD ANGLE PROJECTION		TUBOK INC	FINISH	COPPER/NICKEL/ CHROME PLATING		DRWN	GMB	DATE	9/14/88	PART NO.	B15-G18-AN6X 50mm	DWG		DATE		SIZE	B	TITLE		DATE		3D NO.	4641500	REVISIONS		SCALE	NONE	BMPC-IN\4641500	SHEET	OF																	
MATERIAL	BRASS BARREL	3RD ANGLE PROJECTION		TUBOK INC																																																	
FINISH	COPPER/NICKEL/ CHROME PLATING																																																				
DRWN	GMB	DATE	9/14/88	PART NO.	B15-G18-AN6X 50mm																																																
DWG		DATE		SIZE	B																																																
TITLE		DATE		3D NO.	4641500																																																
REVISIONS		SCALE	NONE	BMPC-IN\4641500	SHEET	OF																																															
<table border="1"> <tr> <td>B</td> <td>SEE REVISION DOCUMENT 4641400</td> <td>SWC</td> <td>5/17/94</td> </tr> <tr> <td>REV</td> <td>DESCRIPTION</td> <td>DRFT</td> <td>DATE</td> </tr> </table>		B	SEE REVISION DOCUMENT 4641400	SWC	5/17/94	REV	DESCRIPTION	DRFT	DATE	<table border="1"> <tr> <td colspan="2">DIMENSIONS ARE IN</td> <td>INCHES</td> </tr> <tr> <td colspan="2"></td> <td>MM</td> </tr> </table>		DIMENSIONS ARE IN		INCHES			MM																																				
B	SEE REVISION DOCUMENT 4641400	SWC	5/17/94																																																		
REV	DESCRIPTION	DRFT	DATE																																																		
DIMENSIONS ARE IN		INCHES																																																			
		MM																																																			