


Mini Incandescents

S-8 Bulb

Line No.	Part Number	Category	Base Type	Design Volts	Design Amps	MSCD	Filament Type	Rated Life	Fig No.	Foot Notes
1	1156	S.C. Bayonet	BA 15s	12.8	2.1	32	C-6	1,200	20	
2	1156 LL	S.C. Bayonet	BA 15s	12.8	2.1	32	C-6	2,000	20	
3	1156A	S.C. Bayonet	BA 15s	12.8	2.1	24	C-6	1,200	20	
4	1156A ST	S.C. Bayonet	BA 15s	12.8	2.1	24	C-6	1,200	20	
5	1156NI	S.C. Bayonet	BA 15s	12.8	2.1	32	C-6	1,200	20	

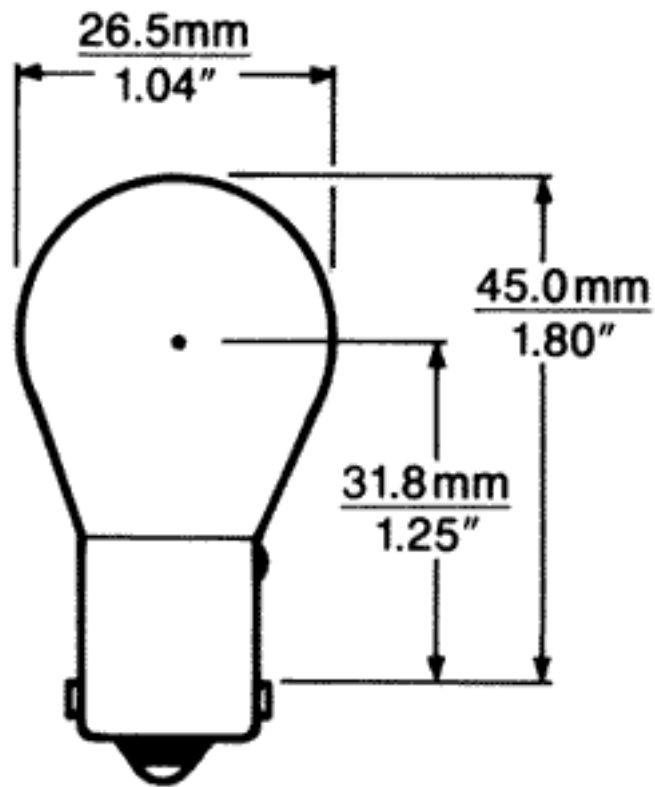


Fig. 20