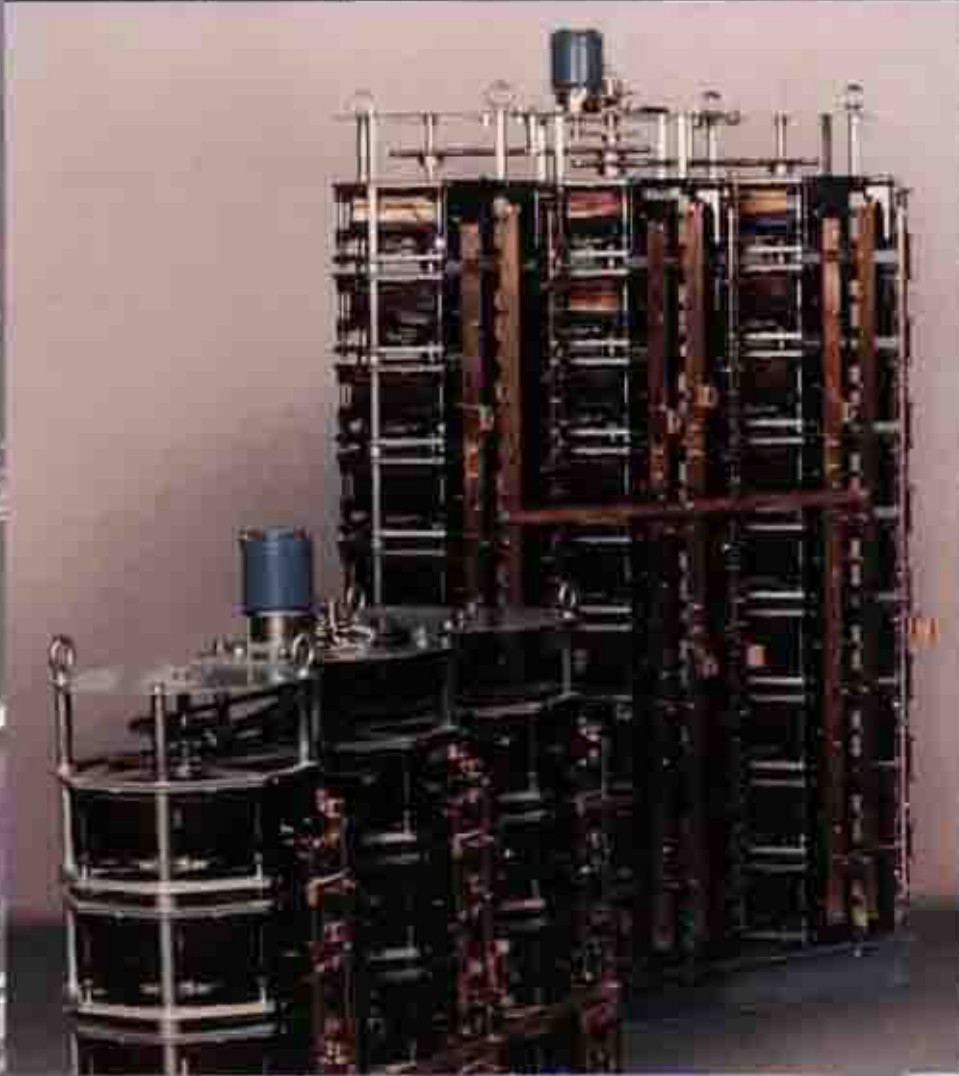


Superior Electric

VOLTAGE REGULATION • LIGHTING CONTROL • SPEED CONTROL • POWER SUPPLIES

1296D Series POWERSTAT® Variable Transformers *Including Drives, Enclosures and Controls*



PROCESS HEATING CONTROL • MOTOR TESTING • LOAD BANKS • VIBRATORY FEEDERS

POWER CONDITIONING • VOLTAGE REGULATORS • LIGHTING CONTROLS • UPS SYSTEMS • TVSS • MOTION CONTROLS

What is a POWERSTAT Variable Transformer?

POWERSTAT Variable Transformers provide a simple, rugged method of controlling electrical voltage, current and power. They take in utility line voltage and provide continuously adjustable output voltage. A wide range of sizes, drives, enclosures and controls are offered.

Standard fixed ratio transformers have output terminals

connected to a particular turn to provide a given output voltage. Instead of a fixed connection to a particular turn, POWERSTAT Variable Transformers utilize a brush riding on a commutator formed as part of the transformer turns. The user can select any output turn and thereby vary the output voltage. Because they are autotransformers, one winding acts as both primary and secondary.

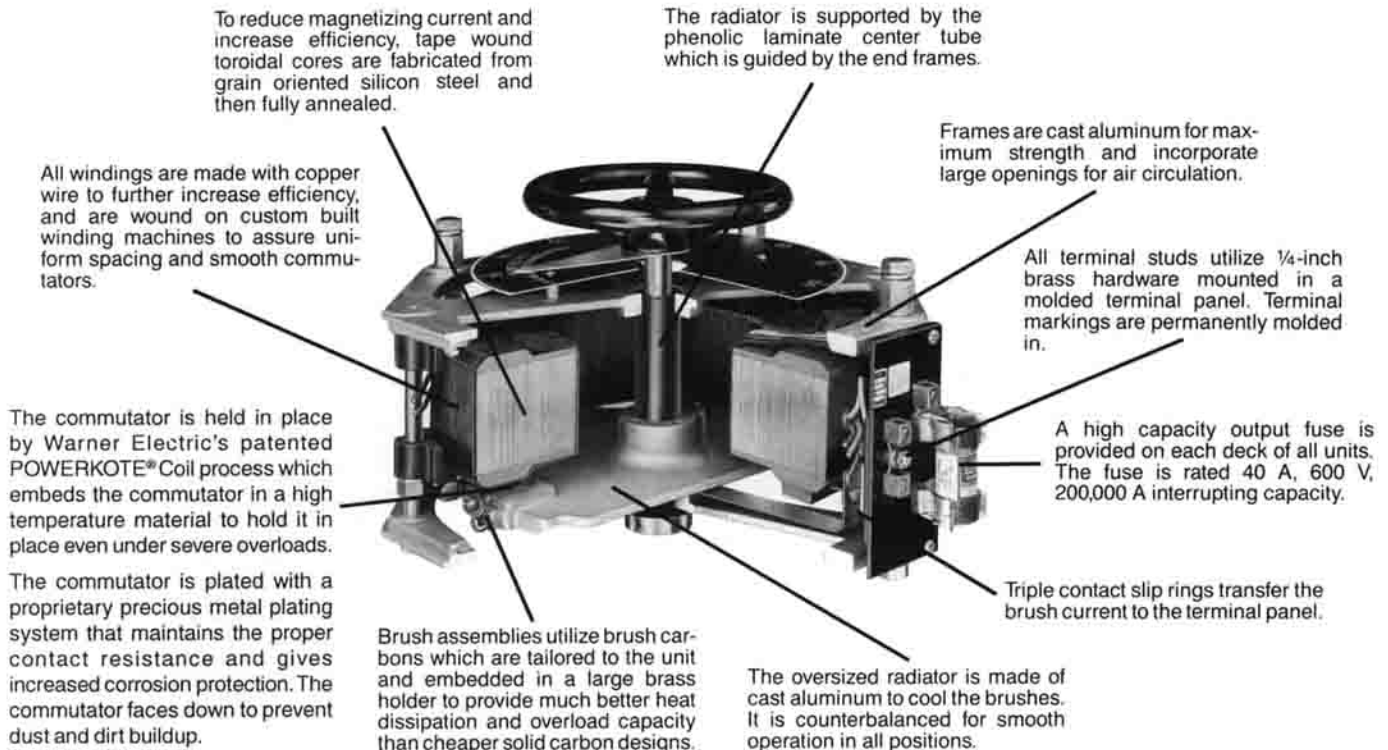
Features

- Rugged Construction
- Smooth Linear Control of Output Voltage
- Low Resistance, High Efficiency Coils
- No Waveform Distortion
- High Overload Capacity
- Very Durable and Reliable
- Easy to Select, Install and Control
- UL Recognized
- CSA Certified

Applications

- Regulate Voltage
- Speed Control
- Lighting Control
- Motor Test Stands
- Power Supplies
- Industrial Process Heating Control
- Source Voltage & Load Banks for Electrical Testing:
 - Circuit Breaker
 - Uninterruptible Power Supplies
 - Generators

Advanced engineering, the finest materials and quality production have been combined to make the 1296D Series the highest power, most efficient POWERSTAT Variable Transformer available.



240 Volt, Single Phase Ratings & Connections

CONNECTION:	"LINE"	"BOOST"	"STEP UP"
Input Voltage: Output Voltage: Frequency (Hz):	240 0-240 50/60	240 0-280 50/60	120 0-280 50/60
TERMINALS Input: Output Single Unit: -2P Thru -9P:	1-4 1-3 1-H2	1-2 1-3 1-H2	1-5 1-3 1-H2

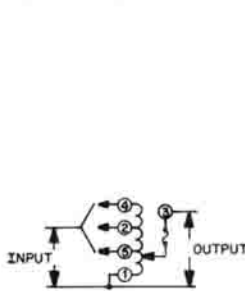
On units with synchronous motor drives, the model number is prefixed with one of the available nominal motor travel times (seconds) as follows:

120 V, 60 Hz Motor. Example: 60MB1296D	****	5	15	30	60
	***	NA	15	30	60
	**	NA	NA	30	60
240 V, 50 Hz Motor. Example: 36MB1296DUX-4P	####	6	18	36	72
	###	NA	18	36	72
	##	NA	NA	36	72

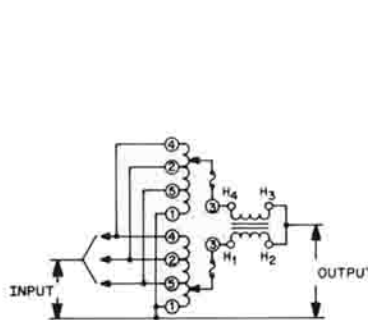
Constant Current Load		Constant Impedance Load		Constant Current Load		Constant Current Load		Model Number			Conn Diag
Max. Amps	Max. KVA	Max. Amps	Max. KVA	Max. Amps	Max. KVA	Max. Amps	Max. KVA	Manually Operated	Motor Driven		
									Synchronous	Digital	
35	8.4	39	9.4	35	9.8	14.7	4.1	1296DU 1296D 1296DT	**** MB1296DU **** MB1296D **** MB1296DT #### MB1296DUX #### MB1296DX #### MB1296DTX	DM1296DU DM1296D DM1296DT DM1296DUX DM1296DX DM1296DTX	1
70	17	78	19	70	20	29	8	1296DU-2P 1296D-2P	**** MB1296DU-2P **** MB1296D-2P #### MB1296DUX-2P #### MB1296DX-2P	DM1296DU-2P DM1296D-2P DM1296DUX-2P DM1296DX-2P	2
105	25	117	28	105	29	44	12	1296DU-3P 1296D-3P	**** MB1296DU-3P **** MB1296D-3P #### MB1296DUX-3P #### MB1296DX-3P	DM1296DU-3P DM1296D-3P DM1296DUX-3P DM1296DX-3P	3
140	34	156	37	140	39	59	16	1296DU-4P	*** MB1296DU-4P ### MB1296DUX-4P	DM1296DU-4P DM1296DUX-4P	3
175	42	195	47	175	49	74	21	1296DU-5P	** MB1296DU-5P ## MB1296DUX-5P	DM1296DU-5P DM1296DUX-5P	3
210	50	234	56	210	59	88	25	1296DU-6P	* MB1296DU-6P # MB1296DUX-6P	DM1296DU-6P DM1296DUX-6P	3
245	59	273	66	245	69	103	29	1296DU-7P	** MB1296DU-7P ## MB1296DUX-7P		3
280	67	312	75	280	78	118	33	1296DU-8P	** MB1296DU-8P ## MB1296DUX-8P		3
315	76	351	84	315	88	132	37	1296DU-9P	** MB1296DU-9P ## MB1296DUX-9P		3

Units are supplied with all required jumpers. Units with -4P through -9P suffixes utilize bus bar jumpers and are shipped with the input bus bar jumper connected for "Boost" operation (connected to input terminal 2). If "Line" or "Step-Up" operations is required, the input bus bar jumper must be moved to terminal 4 or 5 as required.

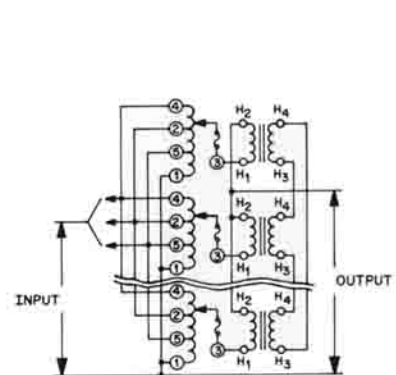
All output fuses (40 A, 600V) and paralleling chokes (T5587) shown in connection diagrams are provided.



Connection 1



Connection 2



Connection 3