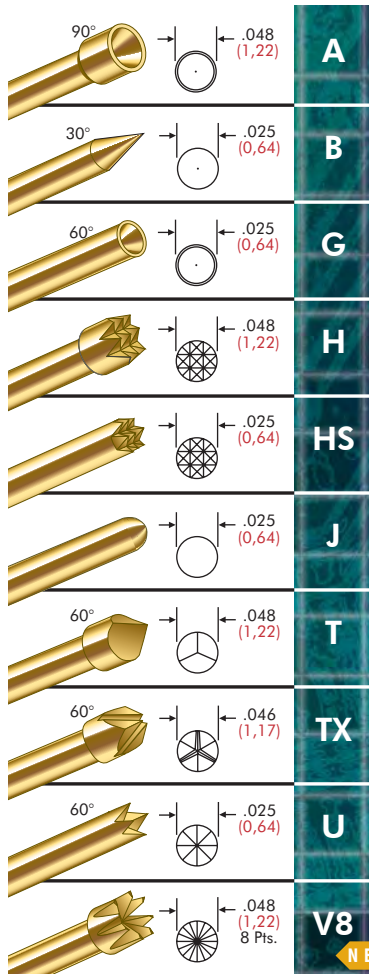


### BeCu PLUNGER TIPS



### PROBE SPECIFICATIONS

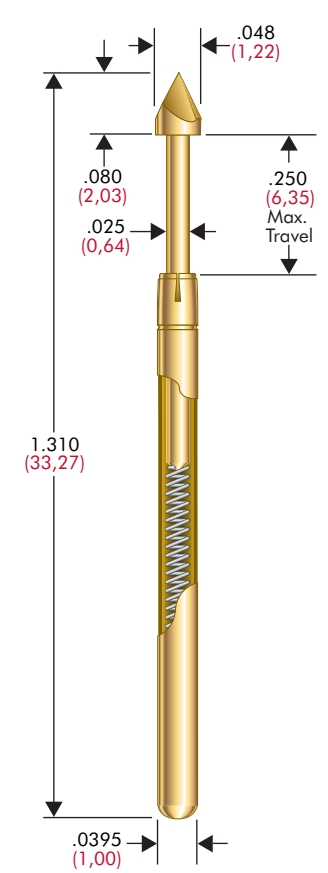
Minimum Centers: .075 (1,91)  
 Current Rating: 3 amps continuous  
 Spring Force: 5.0, 7.0 or 10.0 oz. @ .170 (4,32) travel  
 Typical Resistance: <15 mΩ  
 Working Travel: .170 (4,32)

Rated Force oz (gms)	Preload oz (gms)
5.0 (142)	2.0 (57)
7.0 (198)	2.9 (82)
10.0 (283)	3.3 (94)

### MATERIALS

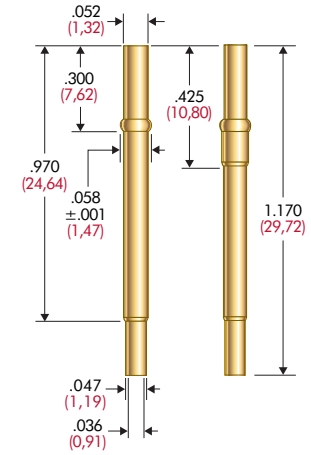
Barrel: G2  
 Spring: Music wire, nickel plated  
 Plunger: Full-hard beryllium copper or steel, gold plated over nickel  
 Receptacle:  
 High Performance Series (R or RX): Nickel/silver, gold plated; gold plated post  
 Standard Series (RS or RSX): Nickel/silver, gold plated post

### ICT-075 PROBE



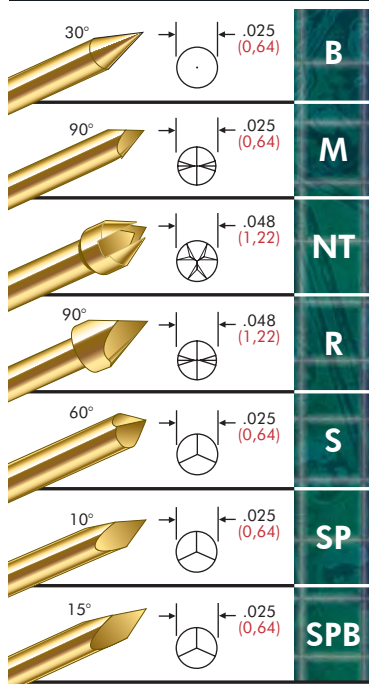
### R-075 Receptacle

R Series RX Series



Drill Size: 1,45mm  
 Mounting Hole Size: .055/.057 (1,40/1,45)  
 Recommended Wire: 24-28 gage

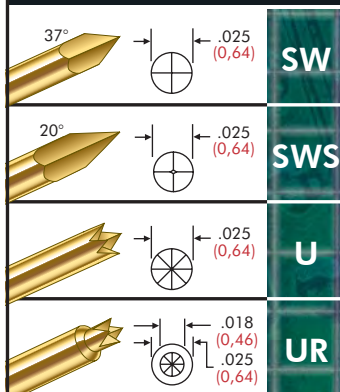
### STEEL PLUNGER TIPS



### RECEPTACLE OPTIONS

Part Number	Style	Receptacle Length	Probe/Receptacle Combined Length	Comments
R-075-CR	Crimp	1.170 (29,72)	1.500 (38,10)	—
R-075-SC	Solder Cup	1.170 (29,72)	1.500 (38,10)	—
R-075-RP	Round Post	1.545 (39,24)	1.875 (47,63)	.375 post length - .025 dia.
R-075-WW-429	Wire Wrap	1.599 (40,61)	1.929 (49,00)	.429 post length - .025 sq.
R-075-WW-694	Wire Wrap	1.864 (47,35)	2.194 (55,73)	.694 post length - .025 sq.
R-075-WW-1.044	Wire Wrap	2.214 (56,24)	2.544 (64,62)	1.044 post length - .025 sq.

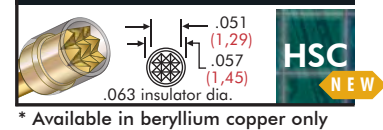
### STEEL PLUNGER TIPS



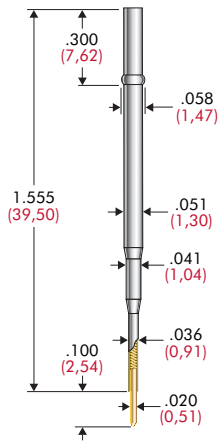
### STEEL PLUNGER TIPS



### INSULATED PLUNGER TIP\*



**R-075-J-DE  
Wireless Receptacle**



**Drill Size: 1,45mm**  
**Mounting Hole Size:**  
**.055/.057 (1,40/1,45)**

For more information,  
see page 25.

**PROBE SPECIFICATIONS**

**Minimum Centers:** .075 (1,91)  
**Current Rating:** 3 amps  
continuous

**Spring Force:** 3.0, 5.0, 7.0  
or 10.0 oz. @ .170 (4,32)  
travel

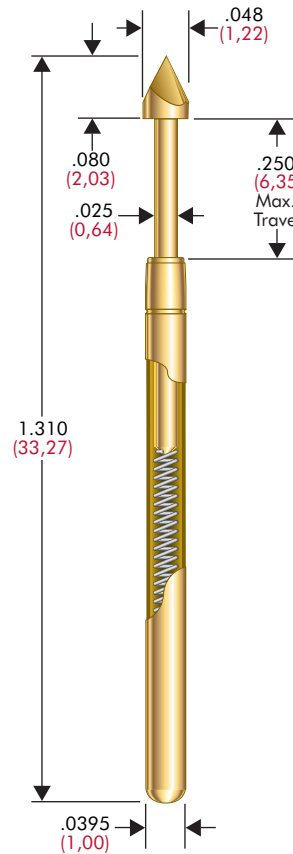
**Typical Resistance:** <25 mΩ  
**Working Travel:** .170 (4,32)

Rated Force oz (gms)	Preload oz (gms)
3.0 (85)	1.2 (34)
5.0 (142)	2.0 (57)
7.0 (198)	2.9 (82)
10.0 (283)	3.3 (94)

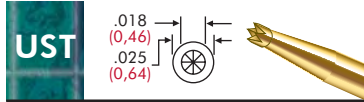
**MATERIALS**

**Barrel:** G2  
**Spring:** Music wire, nickel plated  
**Plunger:** Full-hard beryllium  
copper or steel, gold plated  
over nickel  
**Receptacle:**  
High Performance Series  
(R or RX): Nickel/silver, gold  
plated; gold plated post  
Standard Series (RS or RSX):  
Nickel/silver, gold plated  
post

**S-075 PROBE**



**STEEL PLUNGER TIP**



**NOTE:** The above  
plunger tip is only  
available in the S-075  
series. All plunger tips  
offered in the ICT-075  
series are also available  
in the S-075 series.

**HOW TO ORDER:**

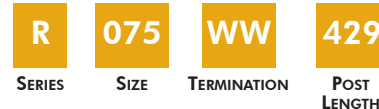
**SPRING CONTACT PROBE**

**RECEPTACLE**



**SERIES:**  
**ICT:** High Performance  
**S:** Standard Performance,  
(No Bifurcated Beam)  
**CRIMPING PLIERS:** CPR075  
**INSERTION TOOL:** RTR075

**SPRING FORCE:**  
3.0 oz. @ .170 (4,32) travel\*  
5.0 oz. @ .170 (4,32) travel  
7.0 oz. @ .170 (4,32) travel  
10.0 oz. @ .170 (4,32) travel  
\* S-075 Series only



**SERIES:**  
**R:** High Performance  
**RX:** Improved Pointing Accuracy,  
High Performance  
**RS:** Standard Performance  
**RSX:** Improved Pointing Accuracy,  
Standard Performance

**TERMINATIONS:**  
**CR:** Crimp  
**SC:** Solder Cup  
**RP:** Round Post  
**WW:** Wire Wrap

**POST LENGTH:**  
**WW:** 429, 694  
or 1.044

**View updates of this information at [www.idinet.com](http://www.idinet.com)**

Specifications subject to change without notice. Dimensions in inches (millimeters)