



Conforms to EN60204-1, EN954-1, EN292,
EN60947-5-3, EN61496-1, and EN1088
UL and C-UL listed, CSA and BG approved



H

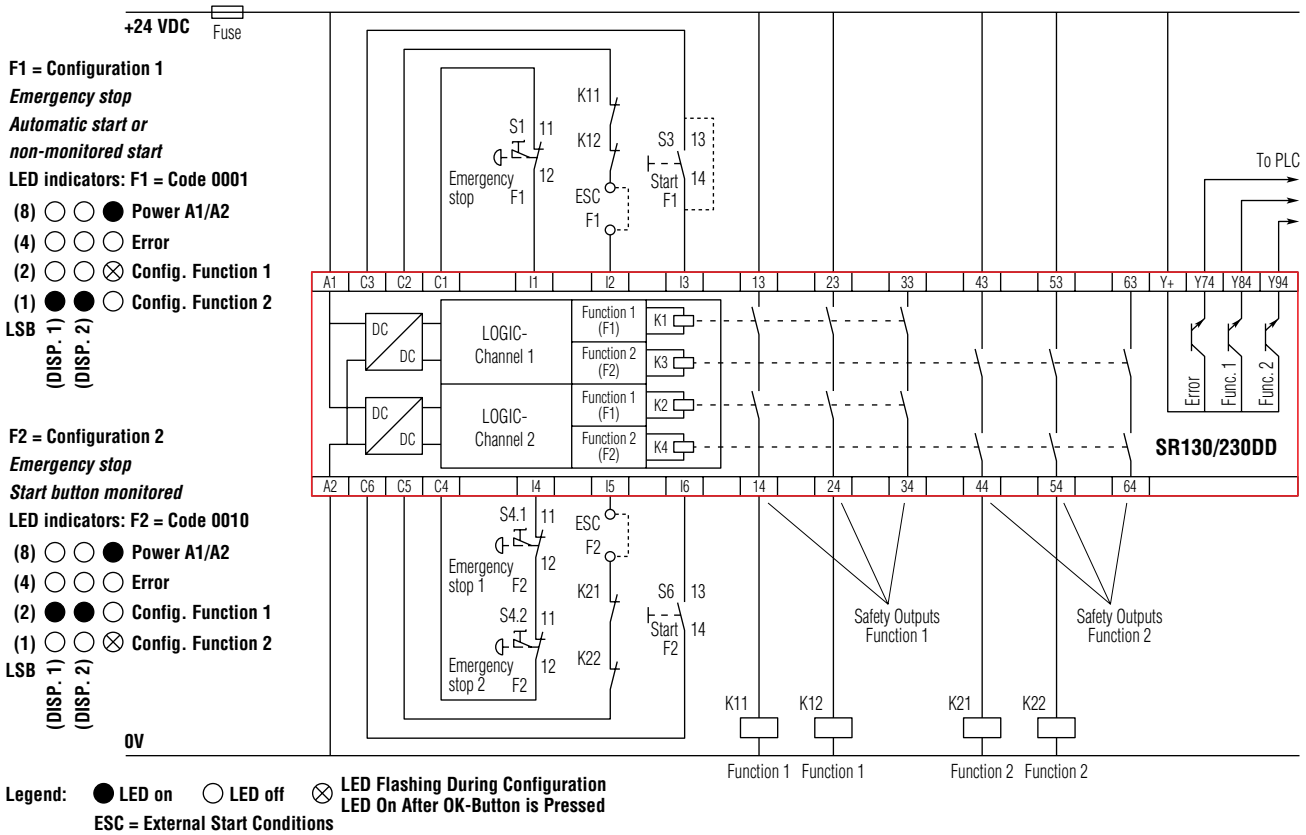
safety monitoring relays

SR130DD

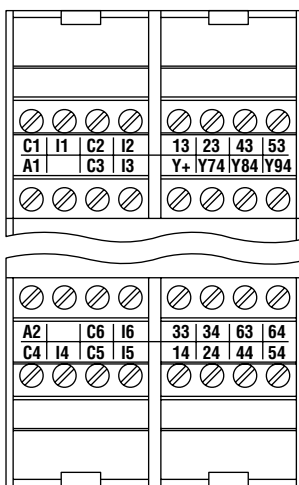
Dual-Channel Dual-Device Safety Monitoring Relay

- Power requirements—the SR130DD will accept 24 VDC
- Inputs—the SR130DD provides dual-channel input from two different independent safety devices. These safety devices may be E-stops, interlock switches or light curtains with dry contact outputs.
- Outputs—the SR130DD has three N/O outputs for each of the safety devices. Three solid state outputs are available for monitoring.
- External Device Monitoring (EDM) is provided with a N/C loop for each set of outputs for the two safety device inputs
- Programmable—the SR130DD is configured to accept the two safety device inputs using the touch pad on the front cover

Application

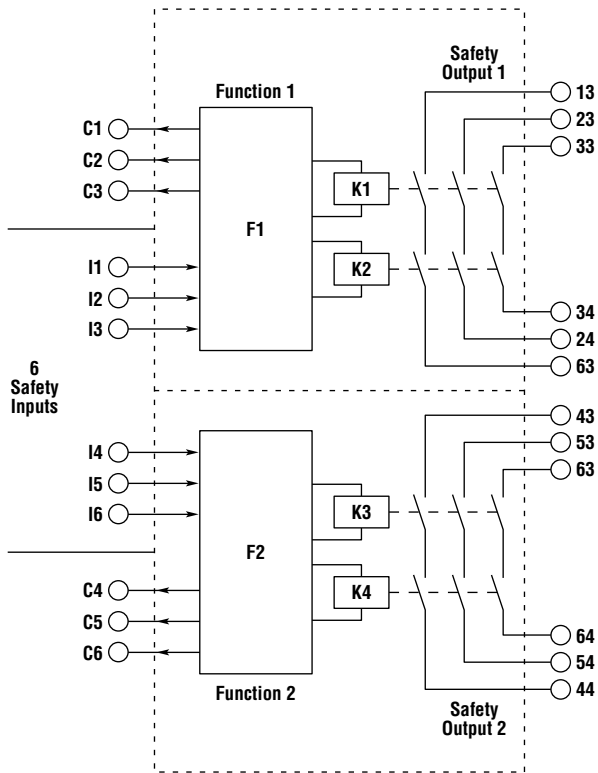


Terminal Connections



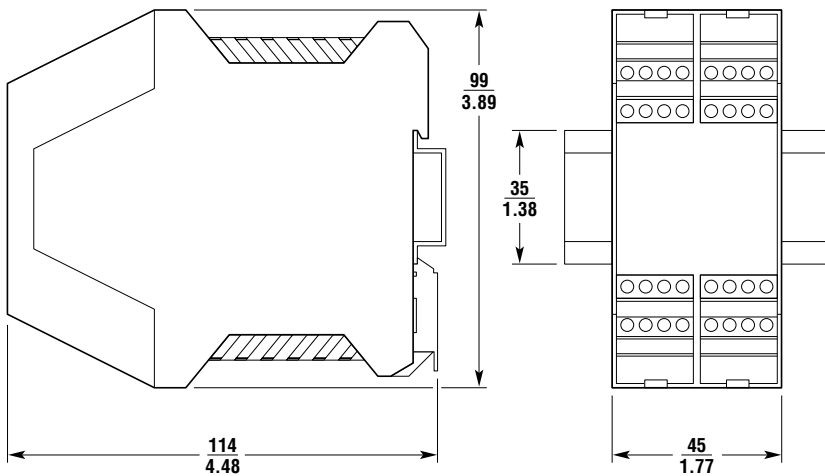
H safety monitoring relays

■ Block Diagram



H
safety monitoring relays

■ Dimensions — mm/in.



■ Specifications

Electrical	All Models
Power Supply:	±20%, 24 VDC
Power Consumption:	≤5 W
Internal Fuse:	Electronic
Safety Inputs:	Configured from front panel
Relay Outputs:	6 N/O (2 sets of 3 N/O) (3 solid state for signaling)
Max Switched AC:	Inductive AC-15, 1800 VA inrush, 180 VA maintained
Max Switched DC:	Inductive DC-13, 1.25 A/24 VDC
Min Switched Current/Voltage:	10 mA/17 V
Impulse Withstand Voltage:	4000 V
Max Drop-Out Time:	30 ms
Max Output Fuse:	4 A slow-acting fuse or 6 A quick-acting fuse
Reset Mode:	Configured from front panel
External Device Monitoring (EDM):	N/C loop for each set of outputs
Mechanical	
Mounting:	35 mm (1.38 in.) DIN rail
Case Material:	Polyamide PA6.6
Max Wire Size:	0.2 to 1.5 mm ² (24 to 16 AWG)
Weight:	320 g (11.3 oz.)
Color:	Red
External Switches:	None
Indication:	12 LEDs configured from front panel
Mechanical Life:	1 x 10 ⁶ operations
Environmental	
Enclosure Protection:	IP20 terminals, IP40 (NEMA 1) housing
Operating Temperature:	-10 to 55°C (14 to 131°F)
Compliance	
Standards:	EN60204-1, EN954-1, EN61496-1 (Type 4), EN60947-5-3, EN1088
Approvals/Listings:	CE-marked for all applicable directives, UL and C-UL, CSA, BG
Safety Category:	Cat. 4 per EN954-1 (SR130DD internal operation)

Specifications are subject to change without notice.

Note: The safety contacts of the Omron STI switches are described as normally closed (N/C)—i.e., with the guard closed, actuator in place, and the machine able to be started.

■ Ordering

Model	Supply	Terminals	Part No.
SR130DD00	24 VDC	Fixed	44510-1300