

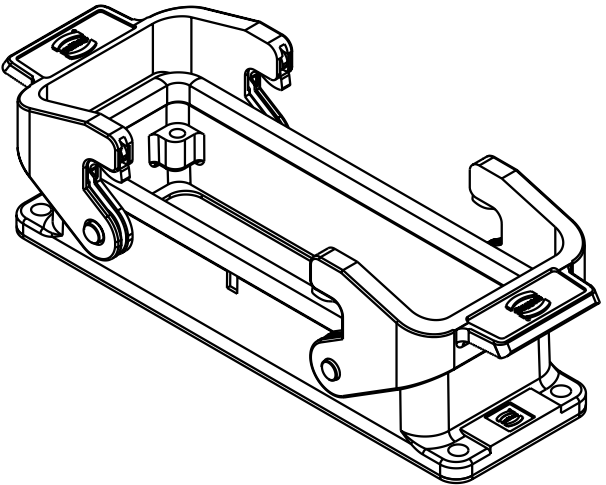
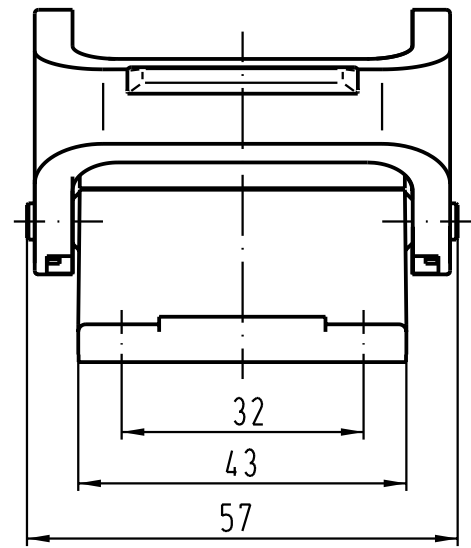
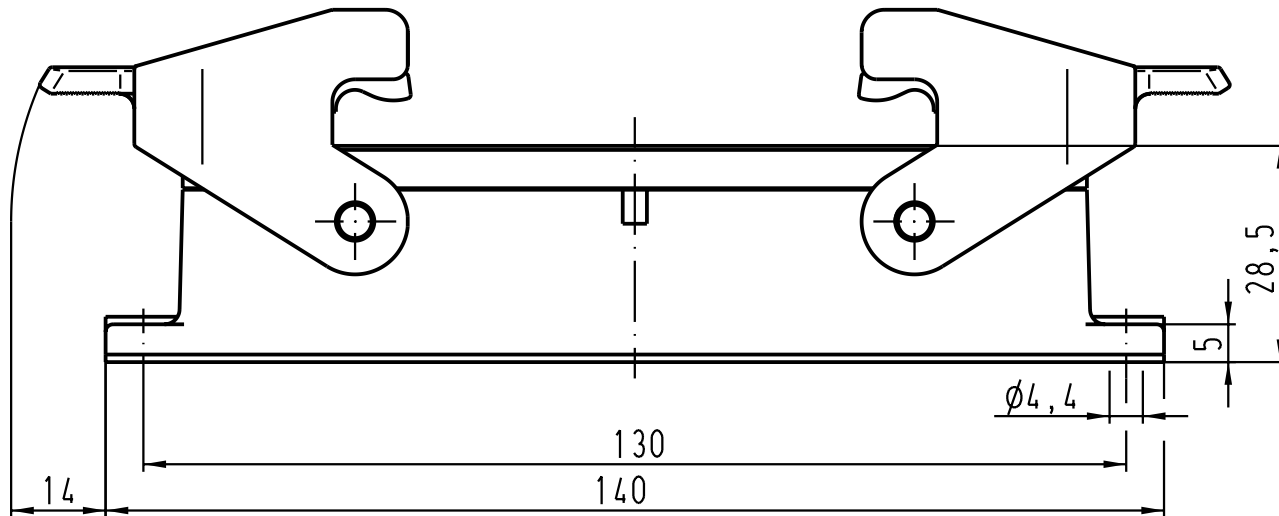
5



4

3

2

1



| | | | | | | |
|---|------|-------------------|-------------------|-------------|--|---|
|  All Dimensions in mm Original Size DIN A 4 | | Techn. Character. | | | Nicht tolerierte Masse/ Free size tolerances | |
| | | | Dat. | Name | Massstab/ Scale | |
| | | | Detail. | 04.09.01 Gö | 1 : 1 | |
| | | | Insp. | KR | | |
| | | | Stand. | | | |
| 29984 | | | HARTING KGaA | | |  |
| Mod. | Dat. | Name | D-32339 ESPELKAMP | | | |
| | | | | | TB 09 34 010 0301 | |
| | | | | | Sub. TB 09 34 0.. 0301 v. 11.02.93 | |
| | | | | | | Blatt/ page 1 / 2 |