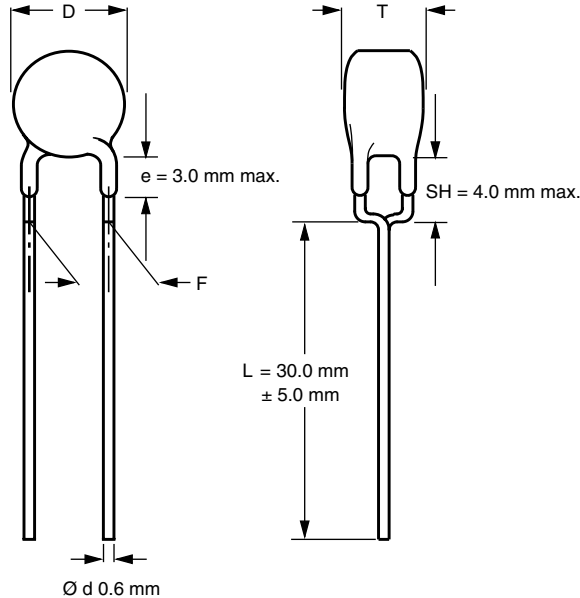


Ceramic Disc Capacitors

Safety Standard Approved Disc AC Capacitors



Capacitors with 5.0 mm, 7.5 mm or 10 mm lead spacing

FEATURES

- Complying with IEC 60384-14, 3rd edition
- High reliability
- Vertical (inline) kinked or straight leads
- Compliant to RoHS directive 2002/95/EC and in accordance to WEEE 2002/96/EC
- Halogen-free according to IEC 61249-2-21 definition



RoHS
COMPLIANT
HALOGEN
FREE
Available

APPLICATIONS

- Across-the-line
- Line by-pass
- Antenna coupling

DESIGN

The capacitors consist of a ceramic disc both sides of which are silver-plated. Connection leads are made of tinned copper having a diameter of 0.6 mm.

The capacitors may be supplied with vertical (inline) kinked leads having a lead spacing of 5.0 mm, 7.5 mm or 10.0 mm. Encapsulation is made of flammable resistant epoxy resin in accordance with "UL 94 V-0".

CAPACITANCE RANGE

10 pF to 0.01 μ F

RATED VOLTAGE U_R

IEC 60384-14.2:

(X1): 440 V_{AC} , 50 Hz

(Y2): 300 V_{AC} , 50 Hz

TEST VOLTAGE

Component test (100 %)

2600 V_{AC} , 50 Hz, 2 s

(2600 V_{AC} for LS 7.5 mm and 10 mm)

(2200 V_{AC} for LS 5.0 mm)

Random sampling test (destructive test)

2600 V_{AC} , 50 Hz, 60 s

Voltage proof of coating (destructive test)

2600 V_{AC} , 50 Hz, 60 s

INSULATION RESISTANCE

10 000 $M\Omega$ minimum

TOLERANCE OF CAPACITANCE

± 20 % (code M); ± 10 % (code K)

DISSIPATION FACTOR

2.5 % maximum

CATEGORY TEMPERATURE RANGE

- 40 °C to + 125 °C

TEMPERATURE CHARACTERISTICS

See Ordering Information Tables

CLIMATIC CATEGORY

40/125/21 according to EN60068-1

COATING

According to UL 94 V-0

Epoxy resin, isolating, flame retardant

APPROVALS

ENEC - VDE DE 1-30691

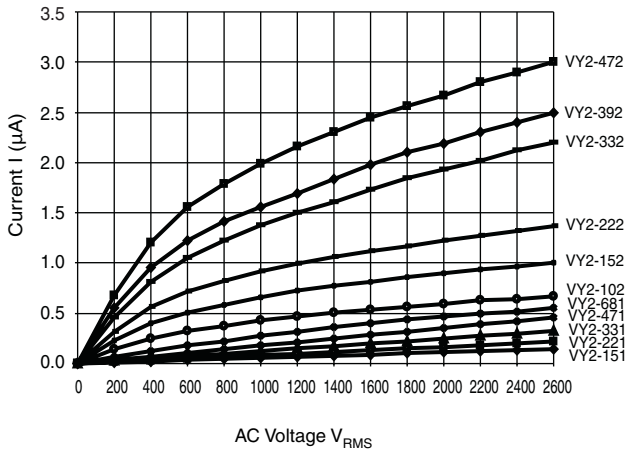
UL 1414 file E183844

CSA 22.2

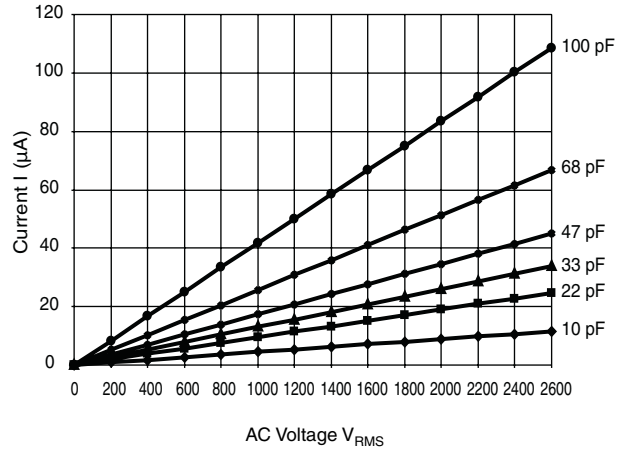
PACKAGING

Bulk; tape and reel; taped ammpack

Typical Current vs. Voltage (Leakage Current) at 60 Hz 25 °C



Typical Current vs. Voltage (Leakage Current) at 60 Hz 25 °C



The capacitors meet the essential requirements of "EIA 198". Unless stated otherwise all electrical values apply at an ambient temperature of 25 ± 3 °C, at normal atmospheric conditions

ORDERING INFORMATION									
C (pF)	TOL. (%)	TEMP. COEFFICIENT	BODY DIAMETER D _{max.} (mm)	BODY THICK T _{max.} (mm)	LEAD SPACING F (mm)	COATING EXTENSION e _{max.} (4) (mm)	CLEAR TEXT CODE (15 th DIGIT *: T = REEL; U = AMMO; 3 = BULK (2))		
							RoHS COMPLIANT	RoHS AND HALOGEN-FREE	
VY2 FOR LEADSPACING 5.0 mm					2200 VAC, 50 Hz, 2 s				
10	± 10	U2J (N750)	7.5	5.0	5.0	3.0	VY2100K29U2JS6*V5	VY2100K29U2JG6*V5	
15							VY2150K29U2JS6*V5	VY2150K29U2JG6*V5	
22							VY2220K29U2JS6*V5	VY2220K29U2JG6*V5	
33							VY2330K29U2JS6*V5	VY2330K29U2JG6*V5	
47							VY2470K29U2JS6*V5	VY2470K29U2JG6*V5	
68		Y5S (2C3)					VY2680K29Y5SS6*V5	VY2680K29Y5SG6*V5	
100							VY2101K29Y5SS6*V5	VY2101K29Y5SG6*V5	
150							VY2151K29Y5SS6*V5	VY2151K29Y5SG6*V5	
220							VY2221K29Y5SS6*V5	VY2221K29Y5SG6*V5	
330							VY2331K29Y5SS6*V5	VY2331K29Y5SG6*V5	
470	VY2471K29Y5SS6*V5	VY2471K29Y5SG6*V5							
680	± 20	Y5U (2E3)	8.0	5.0	5.0	3.0	VY2681M29Y5US6*V5	VY2681M29Y5UG6*V5	
1000							VY2102M29Y5US6*V5	VY2102M29Y5UG6*V5	
1500							VY2152M31Y5US6*V5	VY2152M31Y5UG6*V5	
2200							VY2222M35Y5US6*V5	VY2222M35Y5UG6*V5	
3300							VY2332M41Y5US6*V5	VY2332M41Y5UG6*V5	
3900							VY2392M43Y5US6*V5	VY2392M43Y5UG6*V5	

ORDERING INFORMATION									
C (pF)	TOL. (%)	TEMP. COEFFICIENT	BODY DIAMETER D _{max.} (mm)	BODY THICK T _{max.} (mm)	LEAD SPACING F (mm)	COATING EXTENSION e _{max.} (4) (mm)	CLEAR TEXT CODE (15 th DIGIT *: T = REEL; U = AMMO; 3 = BULK (2))		
							RoHS COMPLIANT	RoHS AND HALOGEN-FREE	
VY2 FOR LEADSPACING 7.5 mm					2600 VAC, 50 Hz, 2 s				
10	± 10	U2J (N750)	7.5	5.0	7.5	3.0	VY2100K29U2JS6*V7	VY2100K29U2JG6*V7	
15							VY2150K29U2JS6*V7	VY2150K29U2JG6*V7	
22							VY2220K29U2JS6*V7	VY2220K29U2JG6*V7	
33							VY2330K29U2JS6*V7	VY2330K29U2JG6*V7	
47							VY2470K29U2JS6*V7	VY2470K29U2JG6*V7	



Ceramic Disc Capacitors
Safety Standard Approved Disc AC Capacitors

Vishay BCcomponents

ORDERING INFORMATION									
C (pF)	TOL. (%)	TEMP. COEFFICIENT	BODY DIAMETER D _{max.} (mm)	BODY THICK T _{max.} (mm)	LEAD SPACING F (mm)	COATING EXTENSION e _{max.} ⁽⁴⁾ (mm)	CLEAR TEXT CODE (15 th DIGIT *: T = REEL; U = AMMO; 3 = BULK ⁽²⁾)		
							RoHS COMPLIANT	RoHS AND HALOGEN-FREE	
68	± 10	Y5S (2C3)	7.5	5.0	7.5	3.0	VY2680K29Y5SS6*V7	VY2680K29Y5SG6*V7	
100							VY2101K29Y5SS6*V7	VY2101K29Y5SG6*V7	
150							VY2151K29Y5SS6*V7	VY2151K29Y5SG6*V7	
220							VY2221K29Y5SS6*V7	VY2221K29Y5SG6*V7	
330							VY2331K29Y5SS6*V7	VY2331K29Y5SG6*V7	
470							VY2471K29Y5SS6*V7	VY2471K29Y5SG6*V7	
680	± 20	Y5U (2E3)	8.0	5.0	7.5	3.0	VY2681M29Y5US6*V7	VY2681M29Y5UG6*V7	
1000							VY2102M29Y5US6*V7	VY2102M29Y5UG6*V7	
1500							VY2152M31Y5US6*V7	VY2152M31Y5UG6*V7	
2200							VY2222M35Y5US6*V7	VY2222M35Y5UG6*V7	
3300							VY2332M41Y5US6*V7	VY2332M41Y5UG6*V7	
3900							VY2392M43Y5US6*V7	VY2392M43Y5UG6*V7	
4700							VY2472M49Y5US6*V7	VY2472M49Y5UG6*V7	
6800							VY2682M59Y5US63V7	VY2682M59Y5UG63V7	
0.01 μF							VY2103M63Y5US63V7	VY2103M63Y5UG63V7	

ORDERING INFORMATION									
C (pF)	TOL. (%)	TEMP. COEFFICIENT	BODY DIAMETER D _{max.} (mm)	BODY THICK T _{max.} (mm)	LEAD SPACING F (mm)	COATING EXTENSION e _{max.} ⁽³⁾ (mm)	CLEAR TEXT CODE (15 th DIGIT *: T = REEL; U = AMMO; 3 = BULK ⁽²⁾)		
							RoHS COMPLIANT	RoHS AND HALOGEN-FREE	
VY2 FOR LEADSPACING 10.0 mm							2600 VAC, 50 Hz, 2 s		
10	± 10	U2J (N750)	7.5	5.0	10.0	3.0	VY2100K29U2JS6*V0	VY2100K29U2JG6*V0	
15							VY2150K29U2JS6*V0	VY2150K29U2JG6*V0	
22							VY2220K29U2JS6*V0	VY2220K29U2JG6*V0	
33							VY2330K29U2JS6*V0	VY2330K29U2JG6*V0	
47							VY2470K29U2JS6*V0	VY2470K29U2JG6*V0	
68							VY2680K29Y5SS6*V0	VY2680K29Y5SG6*V0	
100	± 20	Y5S (2C3)	8.0	5.0	10.0	3.0	VY2101K29Y5SS6*V0	VY2101K29Y5SG6*V0	
150							VY2151K29Y5SS6*V0	VY2151K29Y5SG6*V0	
220							VY2221K29Y5SS6*V0	VY2221K29Y5SG6*V0	
330							VY2331K29Y5SS6*V0	VY2331K29Y5SG6*V0	
470							VY2471K29Y5SS6*V0	VY2471K29Y5SG6*V0	
680							VY2681M29Y5US6*V0	VY2681M29Y5UG6*V0	
1000	± 20	Y5U (2E3)	9.0	5.0	10.0	3.0	VY2102M29Y5US6*V0	VY2102M29Y5UG6*V0	
1500							VY2152M31Y5US6*V0	VY2152M31Y5UG6*V0	
2200							VY2222M35Y5US6*V0	VY2222M35Y5UG6*V0	
3300							VY2332M41Y5US6*V0	VY2332M41Y5UG6*V0	
3900							VY2392M43Y5US6*V0	VY2392M43Y5UG6*V0	
4700							VY2472M49Y5US6*V0	VY2472M49Y5UG6*V0	
6800							VY2682M59Y5US63V0	VY2682M59Y5UG63V0	
0.01 μF							VY2103M63Y5US63V0	VY2103M63Y5UG63V0	

Notes

- (1) Straight leads are available on request.
- (2) 15th digit of the clear text code number to be completed with the packaging code.
- (3) Coating extension e valid for straight leads only.
- (4) On request available: ± 10 % tolerance for capacitance value 680 pF.

LEADSPACING 5.0 mm AND 7.5 mm

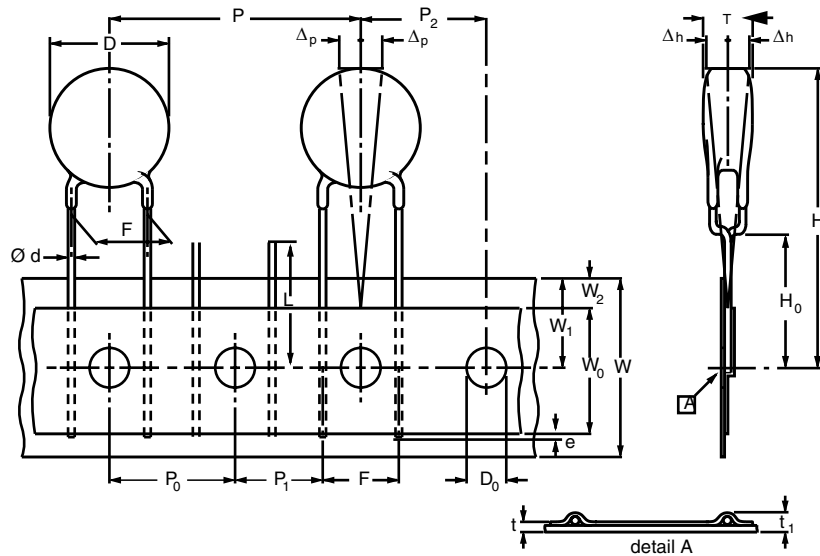
PACKAGING					
CAPACITANCE VALUE	SIZE CODE	BODY DIAMETER $D_{max.}$ (mm)	PACKAGING QUANTITIES		
			BULK	REEL	AMMO
10 pF to 4700 pF	29 ~ 49	12.5	1000	1000	1000
6800 pF to 0.01 μ F	59 ~ 63	16.0	500	-	-

LEADSPACING 10.0 mm

PACKAGING					
CAPACITANCE VALUE	SIZE CODE	BODY DIAMETER $D_{max.}$ (mm)	PACKAGING QUANTITIES		
			BULK	REEL	AMMO
10 pF to 4700 pF	29 ~ 49	12.5	1000	500	750
6800 pF to 0.01 μ F	59 ~ 63	16.0	500	500	750

Note

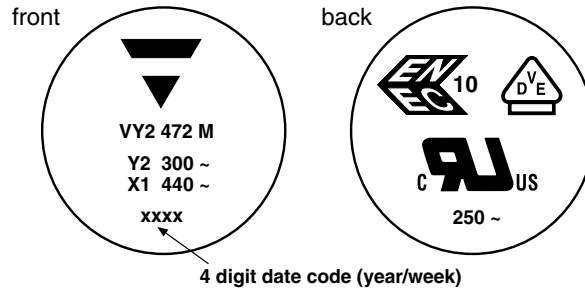
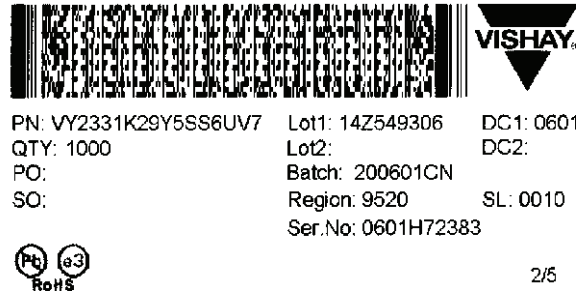
- The capacitors are supplied in bulk packaging (cardboard boxes), in tape on reel or in ammopack.



Inline kink (V) leaded capacitors on tape, lead spacing 5.0 mm (0.200"), 7.5 mm (0.300") and 10 mm (0.400")

STANDARD RECOGNITION

IEC 60384 - 14/3rd issue (2005)- Safety Tests
 UL 1414 - Across-the-line, antenna-coupling and line-by-pass component
 CQC - China Quality Certification Centre-Safety Tests

MARKING: 2 SIDES (EXAMPLE)

LABEL (EXAMPLE)


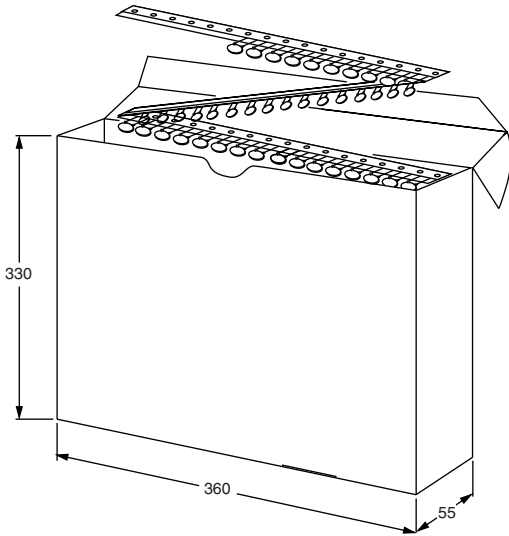
2/5

DIMENSIONS OF TAPE				
SYMBOL	PARAMETER	DIMENSIONS (mm)		
		Fig.1 5 mm	Fig.1 7.5 mm	Fig.2 10 mm
D ⁽¹⁾	body diameter	11.0 max.	14.0 max.	16.0 max.
d	lead diameter	0.6 ± 0.05	0.6 ± 0.05	0.6 ± 0.05
P	pitch of component	12.7 ± 1	15.0 ± 1	25.4 ± 1
P ₀ ⁽²⁾	pitch of sprocket hole	12.7 ± 0.3	15.0 ± 0.3	12.7 ± 0.3
P ₁ ⁽³⁾	distance, hole centre to lead	3.85 ± 0.7	3.75 ± 0.7	7.7 ± 1.0
P ₂ ⁽³⁾	distance, hole to centre of component	6.35 ± 1.3	7.5 ± 1.5	12.7 ± 1.5
F	lead spacing	5.0 (+ 0.6/- 0.4)	7.5 (+ 0.6/- 0.4)	10.0 (+ 0.6/- 0.4)
Δh	average deviation across tape	± 1.0 max.	± 1.0 max.	± 1.0 max.
ΔP	average deviation in direction of reeling	± 1.0 max.	± 1.0 max.	± 1.0 max.
W	carrier tape width	18.0 + 1/- 0.5	18.0 + 1/- 0.5	18.0 + 1/- 0.5
W ₀	hold-down tape width	5.0 min.	5.0 min.	5.0 min.
W ₁	position of sprocket hole	9.0 + 0.75 - 0.5	9.0 + 0.75 - 0.5	9.0 + 0.75 - 0.5
W ₂	distance of hold-down tape	3.0 max.	3.0 max.	3.0 max.
H ₁	maximum component height	32.0	40.0	40.0
H ₀	height to seating plane (for kinked leads)	16.0 ± 0.5	16.0 ± 0.5	16.0 ± 0.5
H ₀	height to seating plane (for straight leads)	20.0 ± 0.5	20.0 ± 0.5	20.0 ± 0.5
L	length of cut leads	11.0 max.	11.0 max.	11.0 max.
l	length of lead protrusion	1.0 max.	1.0 max.	1.0 max.
D ₀	diameter of sprocket hole	4.0 ± 0.2	4.0 ± 0.2	4.0 ± 0.2
t	total tape thickness	0.9 max.	0.9 max.	0.9 max.

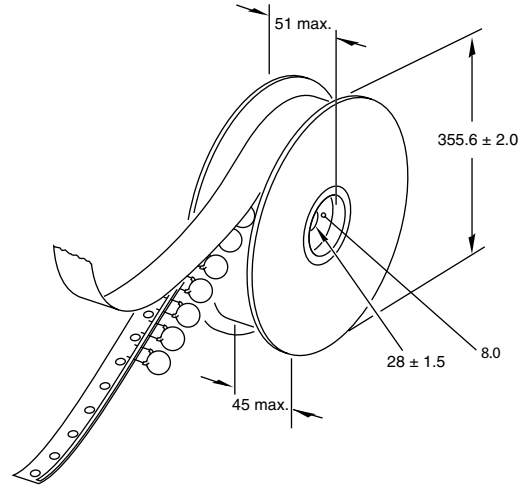
Notes

- (1) See ordering information table
 (2) Cumulative pitch error: ± ≤ 1 mm/20 pitches
 (3) Obliquity maximum 3°

REEL AND TAPE DATA in millimeters



Ammopack with capacitors on tape



Reel with capacitors on tape



Disclaimer

All product specifications and data are subject to change without notice.

Vishay Intertechnology, Inc., its affiliates, agents, and employees, and all persons acting on its or their behalf (collectively, "Vishay"), disclaim any and all liability for any errors, inaccuracies or incompleteness contained herein or in any other disclosure relating to any product.

Vishay disclaims any and all liability arising out of the use or application of any product described herein or of any information provided herein to the maximum extent permitted by law. The product specifications do not expand or otherwise modify Vishay's terms and conditions of purchase, including but not limited to the warranty expressed therein, which apply to these products.

No license, express or implied, by estoppel or otherwise, to any intellectual property rights is granted by this document or by any conduct of Vishay.

The products shown herein are not designed for use in medical, life-saving, or life-sustaining applications unless otherwise expressly indicated. Customers using or selling Vishay products not expressly indicated for use in such applications do so entirely at their own risk and agree to fully indemnify Vishay for any damages arising or resulting from such use or sale. Please contact authorized Vishay personnel to obtain written terms and conditions regarding products designed for such applications.

Product names and markings noted herein may be trademarks of their respective owners.