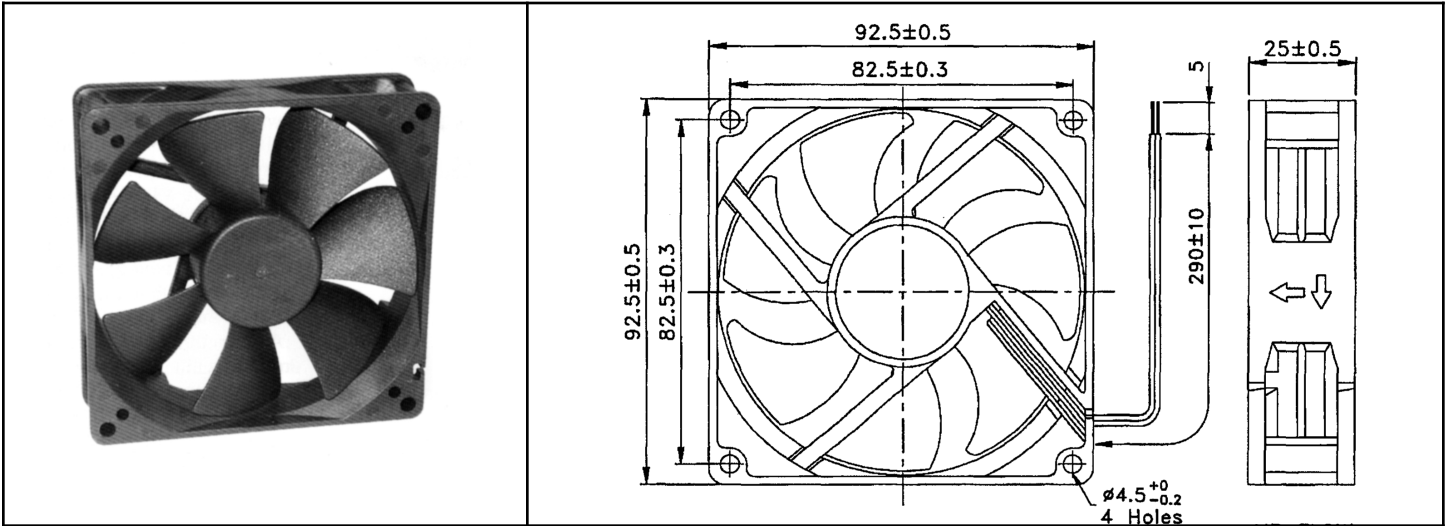


# OD9225 Series



DC Fan - 12V, 24V  
92x25 (3.62"x 1.00")



Frame & Impeller	PBT, UL94V-O plastic	<b>Available Options:</b> Sleeve Bearing Ball Bearing Tachometer Alarm Thermal control PWM Input IP55 48V & 5V <u>Life Expectancy (L10)</u> 50,000+ hrs  <u>Operating Temperature</u> -10 ~ 70C	
Connection	2x Lead wires		
Motor	Brushless DC, auto restart, polarity protected		
Bearing System	Sealed Sleeve		
Insulation Resistance	10M ohm between leadwire and frame (500VDC)		
Dielectric Strength	1 second at 500 VAC, max leakage - 500 MicroAmp		
Storage Temperature	-30C ~ +90C		

Part Number	OD9225-12HSS	OD9225-24HSS
Nominal Voltage	12 VDC	24 VDC
Nominal Current	0.25	0.15 A
Rated Power	2.9 W	3.4 W
Rated Speed (RPM)	2900	2900
Airflow (CFM)	52	52
Noise Level (dB)	35	35
Max. Static Pressure	0.13" H <sub>2</sub> O	0.13" H <sub>2</sub> O

To indicate sleeve bearing replace "SS" suffix with "S" in part number (25,000 hrs life expectancy)  
 To indicate ball bearing replace "SS" with "B" in part number (60,000 hrs life expectancy)



10557 Metric Drive  
Dallas, Texas 75243



OrionFans.com  
Information and data is subject to change without prior notification.