

- Back**
- o Flat Cable Connectors SEK
 - o *har-mik*@
 - o D-Sub
 - o InduCom

• **Applications**

Product details

09 67 009 5601

D-Sub - S cable connector

Gender	Male connector
Termination	Crimp
Number of contacts	9
Flange	through hole 3.1 mm
Shell	tinned metal shell with dimples
Material	PBTP
Contact configuration	contacts must be order separately
RoHS compliant	Yes

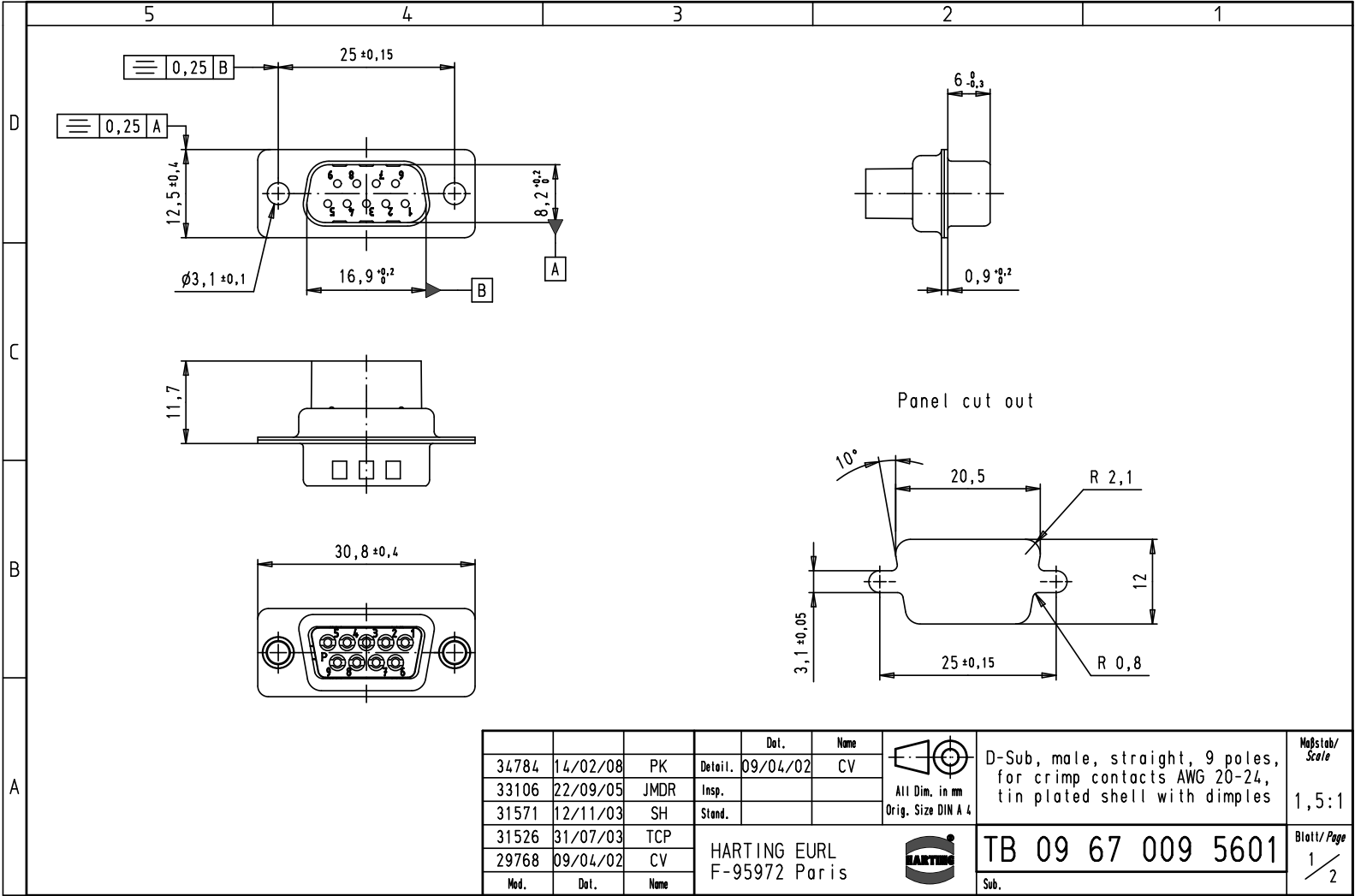
Inquiry

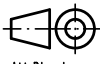

Available Downloads

Title	Format	
Data sheet	PDF	download
CAD data 2D	DXF	download

Product news

Alle Rechte vorbehalten/ All rights reserved



Mod.	Del.	Name	Detail.	Del.	Name	 All Dim. in mm Orig. Size DIN A 4	D-Sub, male, straight, 9 poles, for crimp contacts AWG 20-24, tin plated shell with dimples	Maßstab/ Scale 1,5:1
34784	14/02/08	PK	Detail.	09/04/02	CV			
33106	22/09/05	JMDR	Insp.					
31571	12/11/03	SH	Stand.					
31526	31/07/03	TCP						
29768	09/04/02	CV						
HARTING EURL F-95972 Paris							TB 09 67 009 5601	Blatt/ Page 1 / 2