



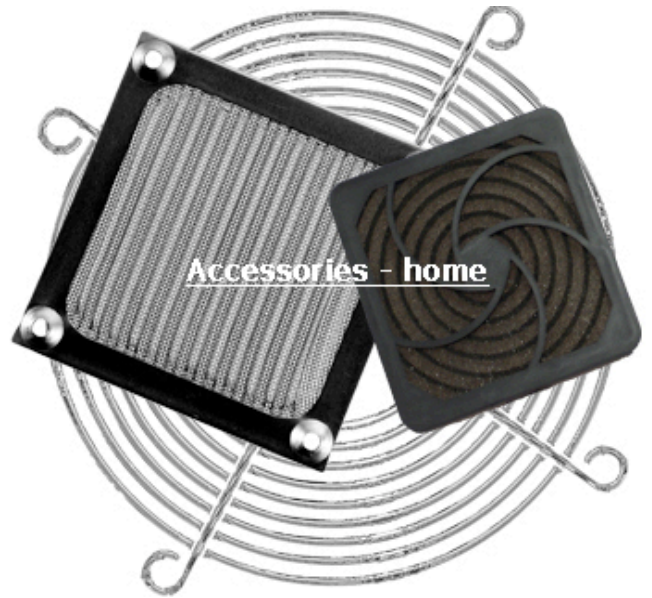
ORION FANS

Standard and Custom Cooling Solutions with JIT Delivery Worldwide

Select a Fan Size (below) to view accessory items

Matching Orion Fans Series

25mm (1.0")	OD2510
40mm (1.57")	OD4010, OD4018, OD4020, OD4028
52mm (2.05")	OD5010, OD5210
60mm (2.36")	OD6010, OD6015, OD6020, OD6025, OA60
80mm (3.15")	OD8015, OD8020, OD8025, OA825, OA80
92mm (3.62")	OD9220, OD9225, OA92, OA938
120mm (4.7")	OD1225, OD1238, OA125, OA109, OA4715
127mm (5.0")	OD127, OA119
172mm (6.7")	OD172, OA162, OA172, OA5920
180mm (7.0")	OD180, OA180
254mm (10.0")	OD254, OA254

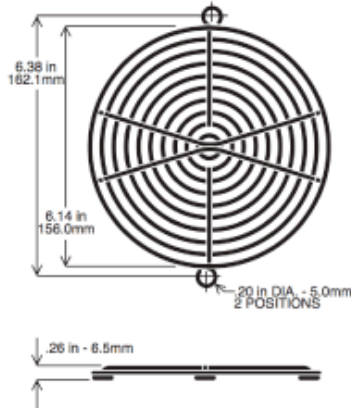


VIEW - [WIRE GUARD](#) | [PLASTIC GUARD](#) | [WIRE MESH GUARD](#) | [FILTER KIT](#)

Part No.: G172-10HA, G172-10HAB, G172-10H, G172-10HB and G172-10LN (Low Noise)

172mm - Steel Wire Guard

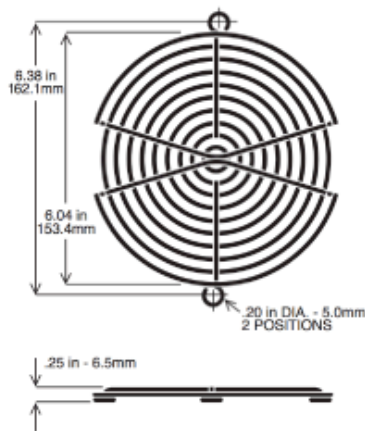
172mm (6.7")



Matching Fan Series:
OD172,
OA162S,
OA172,
OA5920

Part No.:	G172-10HA and G172-10HAB [Black]
Material:	C1008 Steel
Wire Dia (Ring):	1.8mm
Wire Dia (Rib):	2.3mm
Ring Spacing:	Meets 6.35mm plug gauge test
Separation Force:	220 lbs. on welds
Fits:	162 and 172mm fans
Plating:	Bright Nickel Chrome or Black
Options:	Additional plating materials are available by special order.

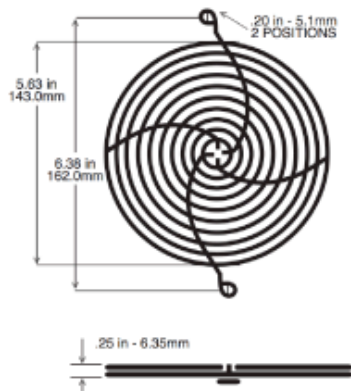
172mm (6.7")



Matching Fan Series:
OD172,
OA162-5E,
OA172S,
OA5920

Part No.:	G172-10H and G172-10HB [Black]
Material:	C1008 Steel
Wire Dia (Ring):	1.8mm
Wire Dia (Rib):	2.3mm
Ring Spacing:	Meets 6.35mm plug gauge test
Separation Force:	220 lbs. on welds
Fits:	162 and 172mm fans
Plating:	Bright Nickel Chrome or Black
Options:	Additional plating materials are available by special order.

172mm (6.7")



Matching Fan Series:
OD172,
OA162-5E,
OA172S,
OA5920

Aerodynamic design helps to reduce fan noise.

Part No.:	G172-10LN
Material:	C1008 Steel
Wire Dia (Ring):	1.6mm
Wire Dia (Rib):	2.0mm
Ring Spacing:	Meets 6.35mm plug gauge test
Separation Force:	220 lbs. on welds
Fits:	162 and 172mm fans
Plating:	Bright Nickel Chrome
Options:	Additional plating materials are available by special order.

Representation Distributors

RoHS Compliant

ISO9001/2000

ORION FANS IS A REGISTERED TRADEMARK OF KNIGHT ELECTRONICS

800-323-2439 or 214-340-0285

COPYRIGHT 2007