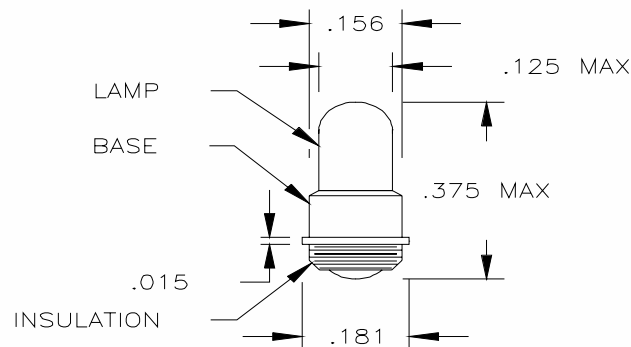


Brilliance by design

INCANDESCENT LAMP SPECIFICATIONS



T-1 Flange Base Lamps

SloanLED Part No.	Design Voltage	Design Current (Amperes)	Light Output (M.S.C.P)	Life Hours
FB12	5.0	.060	.050	100,000
FB35	28.0	.029	.190	25,000
FB38	28.0	.030	.200	10,000
FB44	18.0	.026	.150	10,000
FB45	12.0	.060	.150	16,000
FB47	14.0	.065	.150	12,000
FB59	28.0	.024	.150	16,000
FB60	5.0	.060	.050	100,000
FB63	5.0	.060	.030	200,000

T-1 Unbased Lamps

SloanLED Part No.	Design Voltage	Design Current (Amperes)	Light Output (M.S.C.P)	Life Hours
F12	5.0	.060	.050	100,000
F35	28.0	.029	.190	25,000
F38	28.0	.030	.200	10,000
F44	18.0	.026	.150	10,000
F45	12.0	.060	.150	16,000
F47	14.0	.065	.150	12,000
F59	28.0	.024	.150	16,000
F60	5.0	.060	.050	100,000
F63	5.0	.060	.030	200,000