

FRC-20 Controller

Microprocessor-Based Variable Transformer Controller

Variable Transformers

- **Regulated Output Voltage**
 - ◆ **+/- 0.50% Full Range**
 - ◆ **+/- 0.25% Limited Range**
- **0 - 5 VDC or 4 - 20 MA Set Point Control**
- **1 kOhm Potentiometer or Fixed Resistor Network Control**
- **Full or Limited Range Control**
- **Compact Size**
- **Easy to Mount**
- **Up to 600 VAC Feedback Voltage Operation**
- **Current Regulation**



Staco Energy Products Co. is a leading manufacturer of AC voltage control products. Our expertise in providing solutions to electrical power problems stems from over 65 years of experience in building standard and custom designed products for the commercial, industrial and military sectors.

Staco Variable Transformers have a long history of quality and reliability, and still are one of the most versatile and reliable voltage control options available today. Our Variable Transformers provide high efficiency, reliable performance and maximum power output in the smallest size possible. In our ongoing endeavors to add value to our products through the use of state-of-the-art materials and technologies, the FRC-20 microprocessor based controller was developed. It provides a compact and versatile option for positioning and regulating the output of any motor-driven Staco Variable Transformer.

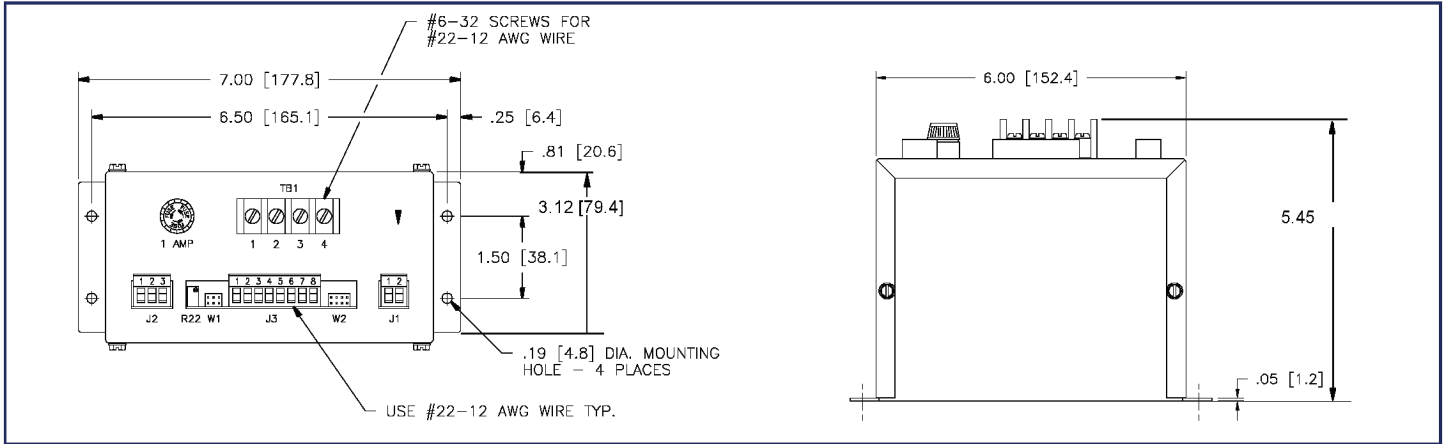
The FRC-20 can be controlled with a 0 - 5 Volt DC or 4 - 20 mA set point, a 1 kOhm potentiometer, or a fixed resistor network. It maintains a full range regulation of 0.5% or a limited range regulation of 0.25%. Full range covers the complete range of the variable transformer, from 0 to its maximum setting. Limited range includes the top third of the voltage feedback range, i.e., 100 - 150 VAC, 200 - 300 VAC, and 400 - 600 VAC.

This unit is field configurable for feedback voltage ranges up to 600 volts, for either full range or limited range control, and the method of control used. The control can be located either remotely, or with the controller itself. For maximum resolution, the voltage range is set for the operating voltages.

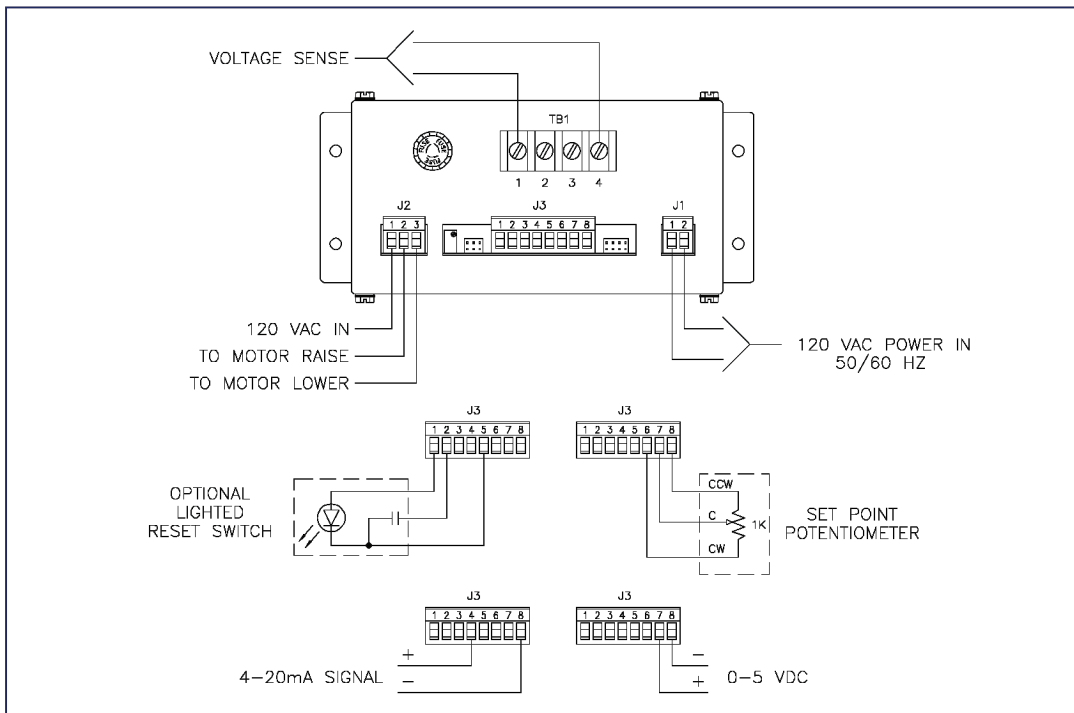
Each FRC-20 includes a 1 amp motor supply fuse and a set point supply trim potentiometer. Its small size makes it easily mountable on the motor base plate of the variable transformer or inside an enclosure.

Current and other feedback alternatives are also available. The FRC-20 Controller is versatile, field configurable, and has a low installation and ownership cost.

Technical Information



FRC-20 Dimensions



FRC-20 Connections and Configuration

