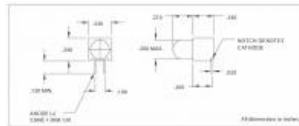




Products

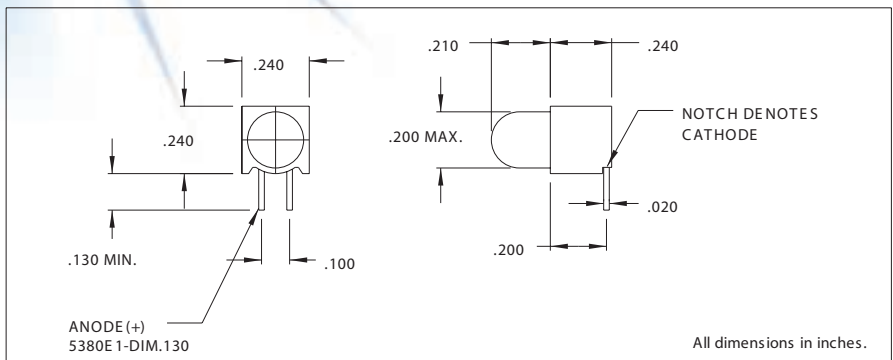
Circuit Board Indicators

CML LED assemblies are available in both right angle and vertical package and utilize the CML IT line of high quality LEDs. Parts range in voltage from 2V to 12V and in current from 2mA to 20mA. The UL94V0 housings ensure proper LED alignment.



Part Number: 5380H1-5V
Serial Number: 5380H
Emitted color: Red
Lens color: Red
Lum in min (mcd): 2
Lum in typ (mcd): 8.0
Rated current (mA): 10
Cont forward current max: 15
Fwd volts type: 5.0
Forward volt max.: 7.5
Reverse breakdown V: 5
Viewing angle (°): 60
Peak wave length (nm): 635
Housing type: UL94V-0
RoHS Status: Yes

5380 Series T-1 3/4 Right Angle LED Assembly
DESCRIPTION AND FEATURES



- Features**
- Block mounting, height and spacing alignment saves assembly cost and time.
 - Super Brite LEDs, high intensity light output, diffused lens.
 - Built-in resistor chip operates off 5V or 12V supply without external resistor.
 - Standoffs prevent flux entrapment.

Housing: Black Nylon, UL94V-O

Alternate LEDs are also available in this package as a standard variation.

ELECTRO-OPTICAL CHARACTERISTICS AND RATINGS

| Part Number | Color | Typ. Intensity (mcd) | Rated Current (mA) | Continuous Forward Current Max. (mA) | Forward Voltage Typ. (V) | Forward Voltage Max. (V) | Peak Forward Current @ 1ms-300pps (A) | Reverse Break-down Voltage Min. (V) | Peak Wavelength (nm) |
|-------------|--------|----------------------|--------------------|--------------------------------------|--------------------------|--------------------------|---------------------------------------|-------------------------------------|----------------------|
| 5380H1 | Red | 6.3 | 10 | 60 | 2.0 | 3.0 | 1.0 | 5 | 650 |
| 5380H3 | Amber | 10 | 10 | 60 | 2.0 | 3.0 | 1.0 | 5 | 608 |
| 5380H5 | Green | 10 | 10 | 60 | 2.2 | 2.5 | .09 | 5 | 563 |
| 5380H7 | Yellow | 6.3 | 10 | 60 | 2.1 | 3.0 | 1.0 | 5 | 585 |
| 5380H1LC | Red | 2.3 | 2.0 | 7 | 1.8 | 2.2 | .007 | 5 | 635 |
| 5380H5LC | Green | 2.3 | 2.0 | 7 | 1.8 | 2.2 | .007 | 5 | 565 |
| 5380H7LC | Yellow | 2.1 | 2.0 | 7 | 1.9 | 2.7 | .007 | 5 | 585 |
| 5380H1-5V | Red | 8 | 10 | 15 | 5 | 7.5 | - | 5 | 635 |
| 5380H3-5V | Amber | 8 | 10 | 15 | 5 | 7.5 | - | 5 | 583 |
| 5380H5-5V | Green | 8 | 10 | 15 | 5 | 7.5 | - | 5 | 565 |
| 5380H1-12V | Red | 8 | 12 | 15 | 12.0 | 15.0 | - | 5 | 635 |
| 5380H3-12V | Amber | 8 | 12 | 15 | 12.0 | 15.0 | - | 5 | 583 |
| 5380H5-12V | Green | 8 | 12 | 15 | 12.0 | 15.0 | - | 5 | 565 |