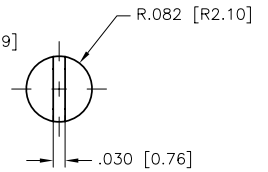
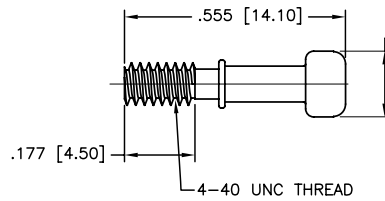
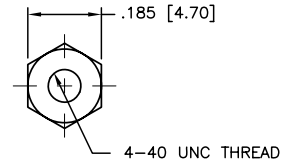
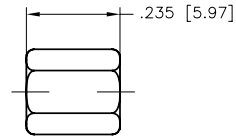
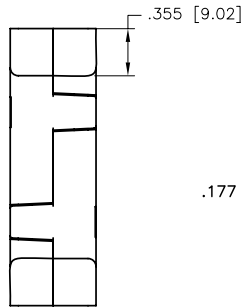
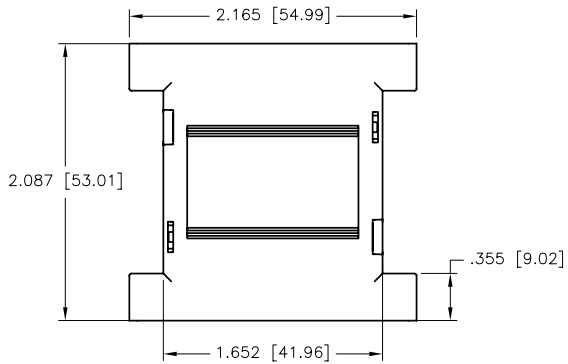
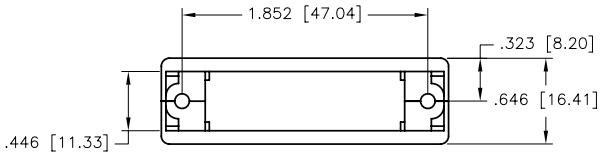
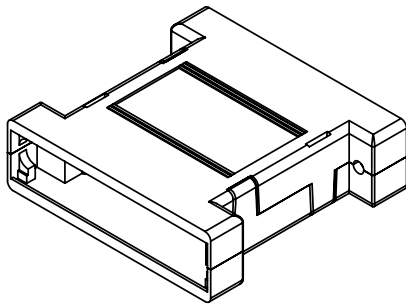


REV	DATE	DESCRIPTION	APP
A	01-WR-10	ECN 0682	



NOTES:

- MATERIAL: A.B.S. (UL94HB)
- COLOR: SEE NOTE 5
- DIMENSIONS: INCHES [MM]
- KIT INCLUDES:
  - 1 - 2 PC. COVER
  - 4 - #4-40 CAPTIVE SCREW
  - 4 - #4-40 HEX EXTENDER
- PART NO. 201E25F25F000 - METALIZED PLASTIC  
 PART NO. 201E25F25F001 - BLACK  
 PART NO. 201E25F25F003 - GRAY
- COMPLIANCE NOTE:  
 PART MUST BE IN COMPLIANCE TO:  
 DIRECTIVE 2002/95/EC of 27 January 2003 [RoHS]



THIS IS A CONTROLLED DOCUMENT AND IS SUBJECT TO CHANGE. CONTACT NORTHERN TECHNOLOGIES ENGINEERING FOR THE LATEST REVISION.

UNLESS OTHERWISE SPECIFIED		SIGNATURES	DATE	Northern Technologies		THIS DRAWING IS THE PROPERTY OF NORTHERN TECHNOLOGIES AND SHOULD NOT BE REPRODUCED WITHOUT NORTHERN TECHNOLOGIES WRITTEN PERMISSION.	
1. ALL DIMENSIONS ARE IN INCHES (MM) 2. DIMENSIONS ARE TYPICAL		DRAWN	JSD	03-JAN-06	PART NUMBER 201E25F25F00X		
		CHECKED	SCN	03-JAN-06	DESCRIPTION 25M/F 25M/F GENDER CHANGER COVER [RoHS]		
		ENG					
		ISSUED		03-JAN-06	SHEET 1	CODE 7100_207	DWG NO. 7100-500-207
				SCALE N.T.S.			SHEET 1 OF 1