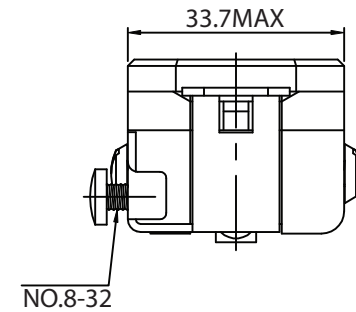
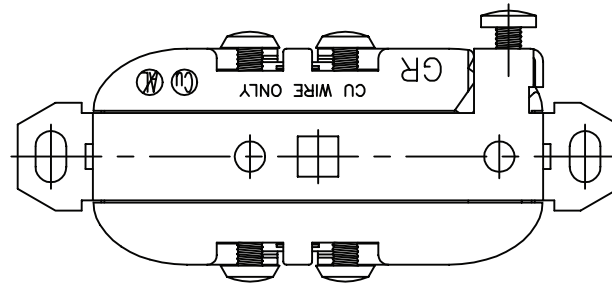
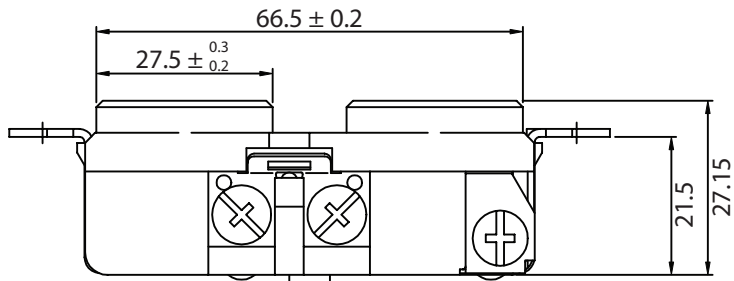
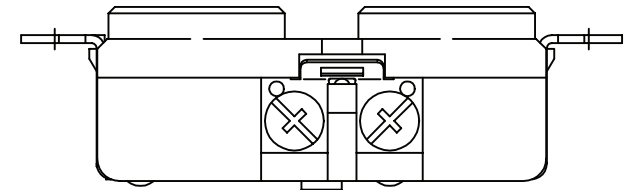
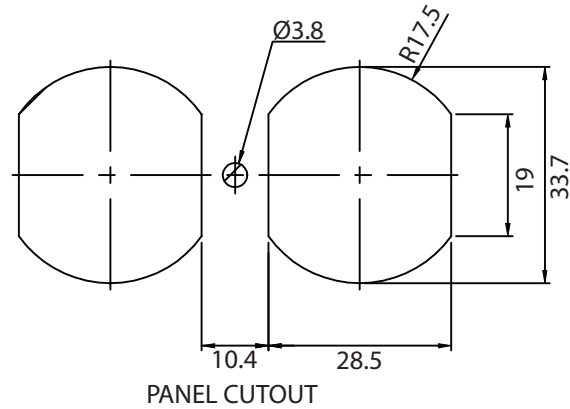
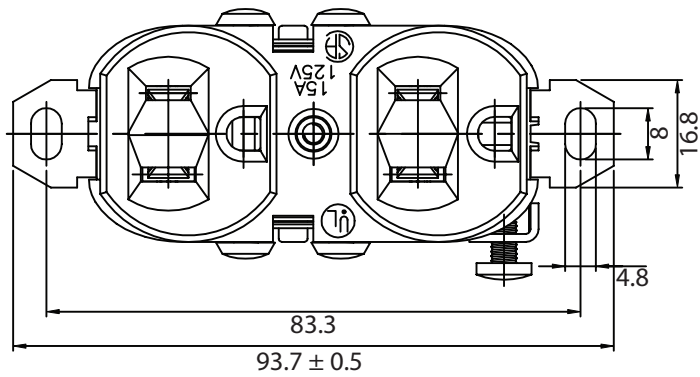


THESE DRAWINGS ARE THE PROPERTY OF QUALTEK ELECTRONICS AND NOT TO BE REPRODUCED FOR OR COMMUNICATED TO A THIRD PARTY WITHOUT THE EXPRESS WRITTEN PERMISSION OF AN OFFICER OF QUALTEK ELECTRONICS.

REVISION			
REV.	DESCRIPTION	DATE	APPROVED
B	RoHS Compliancy	06-01-06	DP



CONTROLLED

NOTES:

- USE SOLID COPPER WIRE ONLY
- RATING: 15A 125V
- STRAP-W/OUT PLASTER EARS, NO MTG.SCR.
- SIDE WIRE
- MOLD GATE MARKS PERMISSIBLE
- TERMINAL SCREWS-IN ARE OPTIONAL
- COMBINATION HEAD SCREWS ARE OPTIONAL
- APPROVALS: UL,CSA
- RoHS COMPLIANT

Dim range (mm)	Tolerance +/- (mm)	Qualtek Electronics Corp. PPC DIVISION		
0-1	0.15	Part Number: 740W-G/01		RoHS Compliant
1-6	0.20	Description: AC RECEPTACLE		
6-18	0.30	UNIT: mm		REV. B
18-50	0.50	Drawn / Date	Checked / Date	Approved / Date
50-120	0.70	K.Huang	11-21-98	JJH / 11-21-98
120-250	0.90			
250-500	1.20			