



AdaptaLight® Stackable Beacon

PLC Compatible

101 Series

FEATURES

- > PLC compatible
- > Seven gasketed modules:
steady-on or flashing incandescent
steady-on or flashing halogen
steady-on or flashing LED strobe
- > Stackable in any combination or color
- > Base unit comes with 85 dB pulsating horn
- > Vibration resistant heavy duty industrial design
- > Module rearrangement requires no wiring; screw terminals in base for field wiring
- > 300,000 peak candlepower strobe
- > Electrical interconnection between units is through solid copper busses

The Edwards AdaptaLight Stackable Beacon is a unique audible-visual signaling device which can contain up to 5 light modules and a pulsating horn in a single "stack." It is for heavy duty use in locations where visibility over longer distances is required. All modules are gasketed. The base of the AdaptaLight Stackable Beacon contains a pulsating horn rated at 85dB at 10 feet. The horn can be operated as a sixth independent signal or in conjunction with any one of the light modules.

The steady-on modules provide a constant visual signal. They are ideal for start/stop functions, on/off process or continuous duty visual signaling applications.

The flashing modules command immediate attention. They work well as a warning signal when used with the steady-on module. Applications include signaling of equipment malfunction.

The strobe modules are ideal for high ambient light areas. It can effectively signal urgent status changes when used in conjunction with the incandescent or LED light modules. The LED modules are best for applications where long life (120,000 hours) is a requirement.

The AdaptaLight can be surface or 1/2" (13mm) NPT conduit pipe mounted in non-hazardous dust and weatherproof applications. For indoor applications, it may be vertically mounted with lenses facing either up or down. For weatherproof installation, the unit must be mounted vertically with lenses facing up. May also be corner mounted using the Cat. No. CBR, corner mount bracket, or wall mounted, using the Cat. No. WBR, wall mount bracket. See AdaptaBeacon Accessories page 3-118.

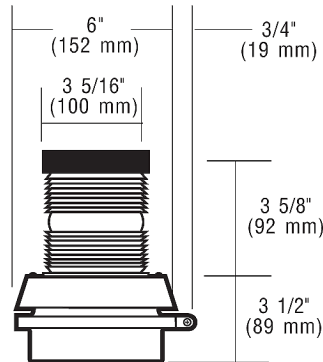
AGENCY APPROVALS

- > UL 1638 Listed
- > cUL Listed

D-04



TECHNICAL INFORMATION



Cat. No.	Module Type	Voltage	Nominal Current	Flash Rate	Replacement Horn	Replacement Light Source	Peak Candlepower
101BS-E1	Base Unit w/Horn	12V DC	0.05A (max)	-	118-E1	-	-
101BS-G1	with Horn	24V DC	0.05A (max)	-	118-G1	-	-
101BS-N5	(85 dB at 10 feet)	120V AC 50/60 Hz	0.05A (max)	-	123A-N5	-	-
101FIN*-E1	Flashing Incandescent	12V DC	1.0A	65 fpm	-	Industry Trade No. 94 ⁽¹⁾	2374
101FINH*-G1	Flashing Halogen	24V DC	0.32A	65 fpm	-	50LMP-9WH-D ⁽²⁾	653
101FINH*-N5	Flashing Halogen	120V AC 50/60 Hz	0.11A	65 fpm	-	50LMP-12WH-D ⁽³⁾	879
101FLED**-G1	Flashing LED	24V DC	0.065A	65 fpm	-	-	color dependent
101FLED**-N5	Flashing LED	120V AC 50/60 Hz	0.025A	65 fpm	-	-	color dependent
101SIN*-E1	Steady-on Incandescent	12V DC	1.0A	-	-	Industry Trade No. 94 ⁽¹⁾	2374
101SINH*-G1	Steady-on Halogen	24V DC	0.32A	-	-	50LMP-9WH-D ⁽²⁾	653
101SINH*-N5	Steady-on Halogen	120V AC 50/60 Hz	0.11A	-	-	50LMP-12WH-D ⁽³⁾	876
101SLED**-G1	Steady-on LED	24V DC	0.065A	-	-	-	color dependent
101SLED**-N5	Steady-on LED	120V AC 50/60 Hz	0.025A	-	-	-	color dependent
101ST*-E1	Strobe	12V DC	0.5A	65 fpm	-	91B-ST ⁽⁴⁾	300,000
101ST*-G1	Strobe	24V DC	0.3A	65 fpm	-	91B-ST ⁽⁴⁾	300,000
101ST*-N5	Strobe	120V AC 50/60 Hz	0.12A	65 fpm	-	91B-ST ⁽⁴⁾	300,000

*Insert lens color: R - red, A - amber, B - blue, G - green, M - magenta, C - clear **Insert lens and LED color: R - red, A - amber, B - blue, G - green

(1) Projected lamp life based on manufacturer's calculated lamp life at 65 fpm and 50% duty cycle is 1,520 hours.

(2) Projected lamp life based on manufacturer's calculated lamp life at 65 fpm and 50% duty cycle is 15,000 hours. Can also be replaced with Industry Trade No. 1692.

(3) Projected lamp life based on manufacturer's calculated lamp life at 65 fpm and 50% duty cycle is 25,000 hours. Can also be replaced with Industry Trade No. 15T7DC.

(4) Strobe tube life at operating power to 75% efficiency is 3,000 hours.

SIGNAL INPUT LOAD CHARACTERISTICS*

Light Source Cat. No.	Operating Voltage	Max. off state leakage current (mA)	Continuous on Current (mA)	Surge (inrush/duration) Amps/milliseconds
101BS-G1	24V DC	25	50	2/1
101BS-N5	120V AC	25	50	2/1
101FINH()-G1	24V DC	25	320	1.2/100
101FINH()-N5	120V AC	25	110	1.15/8
101SINH()-G1	24V DC	25	320	.36/1
101SINH()-N5	120V AC	25	110	.5/8
101FLED()-G1	24V DC	4	65	.07/1
101FLED()-N5	120V AC	5	25	.09/8
101SLED()-G1	24V DC	4	65	.07/1
101SLED()-N5	120V AC	5	25	.09/8
101ST()-G1	24V DC	1.5	300	0.33/1
101ST()-N5	120V AC	5	120	2.1/1

*This device is PLC compatible and may be operated by PLCs with output characteristics that match the input load requirements of this signal.