



AdaptaHorn® Electronic Horn

*Indoor or Outdoor Surface,
Flush or Panel Mount*

867, 869 & 869D Series

FEATURES

- > 869D diode polarized
- > Low current draw
- > High dB output
- > Terminals for easy wiring
- > May be used in outdoor applications by using with 869-WPB weatherproof back box
- > 867 Series comes complete with surface back box
- > Gray Flame resistant housing
- > Engineered thermoplastic housing

AGENCY APPROVALS

- > UL 464 Listed
- > 869D cUL Listed C22.2 No. 205

SPECIFICATIONS

- > Operating voltage: -20% to +10% of nominal voltage
- > Indoor Operating Environment: 93% relative humidity at 104°F (40°C); 32°F to 120°F (0° to 49°C) variable ambient

The Edwards 867, 869 and 869D series are low current, high decibel, surface mount, flush or panel mount electronic horns for indoor use.

The 867 series has been designed for surface mounting with the gray, corrosion resistant, surface mount box supplied with the unit. The box measures 5 5/8" (143mm) square by 3 5/16" (84mm) deep.

The 869 and 869D series are designed for flush or panel mounting. For flush mounting, they mount to a standard 4" (102mm) square back box with extension ring (total minimum depth of 3" (76mm)). Back box and extension ring not supplied. For panel mounting, use only the supplied mounting plate without back box.

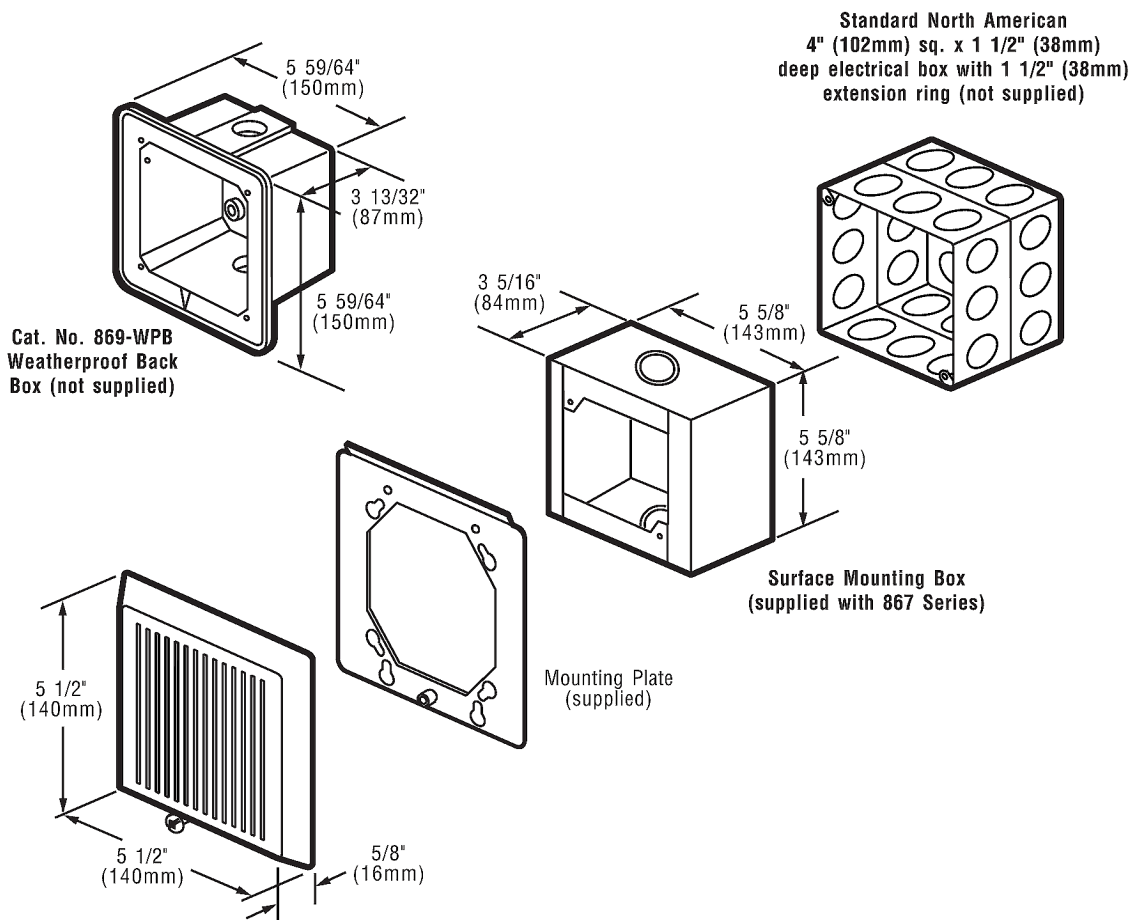
The 867 and 869 series electronic horns are designed for use in corridors and manufacturing sites. It is used wherever a distinctive, audible signal is required for timing, scheduling, general alarm, and warning applications.

The 869D is designed for use in fire alarm systems and other applications requiring electrical supervision of signaling circuit field wiring.

D-04



TECHNICAL INFORMATION



Cat. No.	Description	Volts	Amps	dB at 10 ft (3.05m)
867-AQ	Surface mount	24V AC 24V DC	60mA 20mA	90 dBA (Anechoic chamber)
867-N5	Surface mount	120V AC	21mA	90 dBA (Anechoic chamber)
869-AQ	Flush or panel mount	24V AC 24V DC	60mA 20mA	90 dBA (Anechoic chamber)
869-N5	Flush or panel mount	120V AC	21mA	90 dBA (Anechoic chamber)
869D-G1	Flush or panel mount Diode Polarized	24V DC	20mA 40mA	98 dBA (Anechoic chamber) 102 dBA (Anechoic chamber)