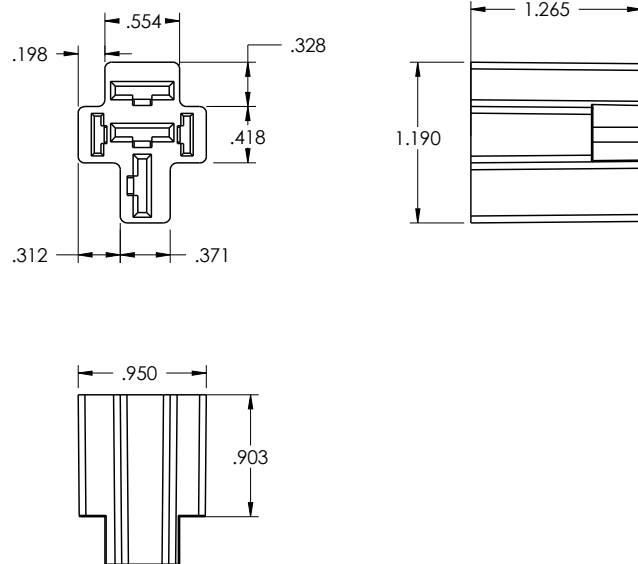



4-22-00002 Part Number Table	
Part Number	Description
PR05-WH	No Logo

NOTES



 <p>1738 East 30th St. Cleveland, Ohio 44114 ph: [216] 241-1679 fax: [216] 241-5529 www.customconnector.com</p>	<p>CONFIDENTIALITY NOTICE</p> <p>THIS PRINT IS CONFIDENTIAL AND MUST NOT BE COPIED OR ITS CONTENTS REVEALED UNLESS AUTHORIZED BY CUSTOM CONNECTOR CORPORATION.</p>	<p>TOLERANCES</p> <p>DO NOT SCALE</p> <p>ALL DIMENSIONS REFERENCE</p>	<p>INITIALS</p> <p>DATE</p>	<p>PHYSICAL PROPERTIES</p> <p>MASS: 0.018_lbs.</p> <p>VOL: 0.422_cu_in.</p>	<p>SALES DRAWING #: S-4-22-00002</p> <p>PRODUCT ID: PR05-WH</p>		
			<p>DRAWN BY: SB</p> <p>7/23/2009</p>	<p>APPV'D BY: SB</p> <p>7/23/2009</p>	<p>DESCRIPTION:</p> <p>5 Pin High Current Relay Socket</p>	<p>REV: A</p>	
			<p>COMMENTS:</p>		<p>SIZE: A</p>	<p>SCALE: 1:1</p>	<p>SHEET: 1 of 1</p>