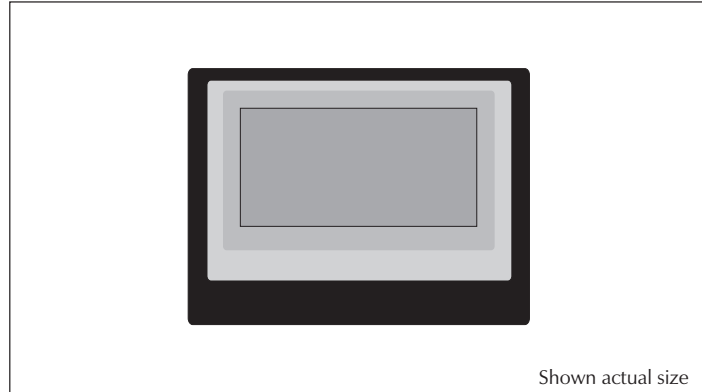


The SP 5-GFX1 incorporates the latest LCD controller LSI to provide a unique combination of a 128 x 64 pixel display with compact size and ease of use. LED backlighting ensures excellent visibility under low light conditions. The module features a 10-pin single in line connector. The serial data interface ensures that the host microcontrollers can drive the display with a minimum of I/O lines. Easy to install, the module is supplied with a bezel, fixing clip and a rubber seal. The latter provides splashproof protection for the display when fitted during installation.

FEATURES

- 128 x 64 Pixels
- High Contrast LCD
- 6 o'clock Viewing Direction
- Yellow-Green LED Backlighting
- Based on Sunplus® SPLC 501C Controller
- Serial Data Interface



This datasheet should be read in conjunction with the Sunplus SPLC 501C device datasheet. A link to this is available at www.lascarelectronics.com on the SP 5-GFX1 product information page.

ORDERING INFORMATION

Standard Instrument

Stock Number
SP 5-GFX1

ELECTRICAL SPECIFICATIONS

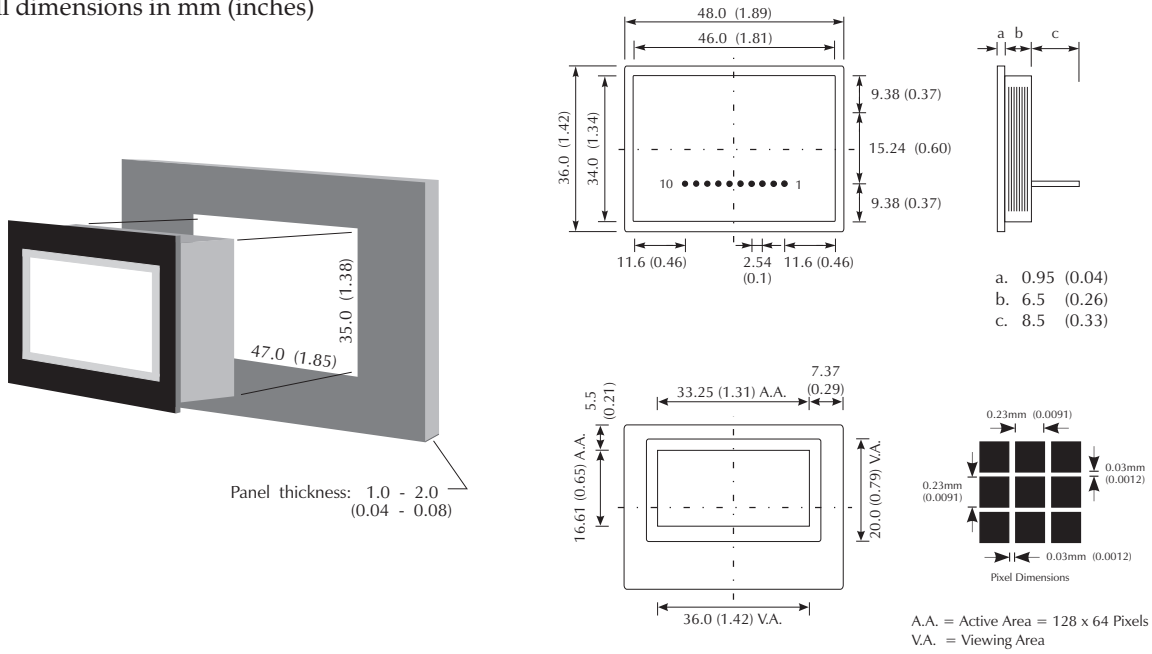
Specification	Min.	Typ.	Max.	Unit
Supply voltage (Pin 2 to Pin 1)	4.5	5.0	5.5	V d.c.
Supply current (Backlight off)		350		µA
Input voltage (Pin 3, 4, 5, 6, 7)	High	0.8V _{DD}	V _{DD}	V d.c.
	Low	V _{SS}	0.2V _{DD}	V d.c.
Backlight supply voltage (Pin 9 to Pin 8)	-	5	5.5	V d.c.
Backlight supply current	-	50		mA
Operating temperature range	0		50	°C

SAFETY

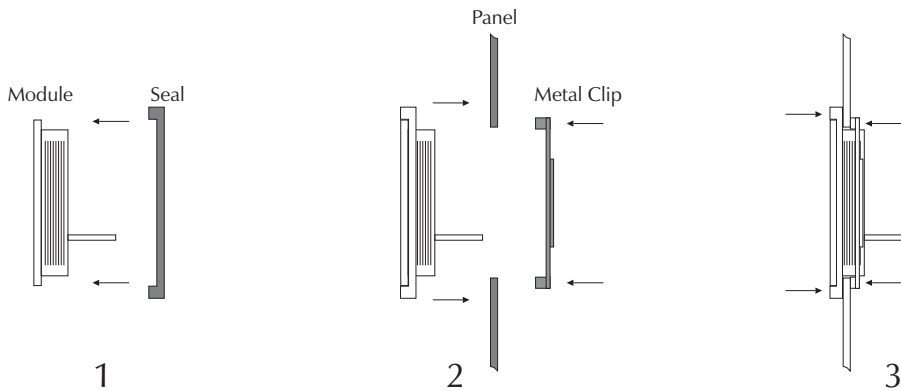
To comply with the Low Voltage Directive (LVD 93/68/EEC), input voltages to the module's connections must not exceed 60Vdc. The user must ensure that the incorporation of the panel instrument into the user's equipment conforms to the relevant sections of BS EN 61010 (Safety Requirements for Electrical Equipment for Measuring, Control and Laboratory Use).

DIMENSIONS

All dimensions in mm (inches)



PANEL FITTING



CONNECTIONS (rear view)

