

Form 955-050221

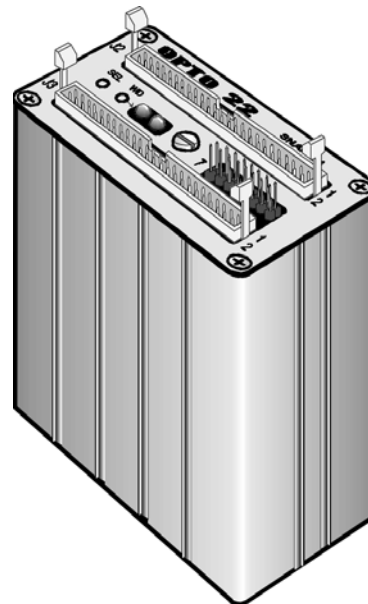
Part Number	Description
SNAP-B4	High-speed Digital Brain, Pamux Protocol

Description

The SNAP-B4 is a high-performance digital brain used to connect and control up to 32 channels of digital I/O using Opto 22's SNAP "B Series" I/O mounting racks and the Pamux bus. The SNAP-B4, combined with Opto 22's AC28 interface card and a host PC, provides the world's fastest digital I/O.

The SNAP-B4 communicates over a 50-pin flat ribbon cable (Pamux bus) and can be located up to 500 feet away from the host processor. The Pamux bus has 64 possible addresses. Each group of eight I/O points occupy one address, therefore the Pamux bus can control up to 512 digital and analog I/O points. Each SNAP-B4 brain controls 32 digital I/O points and occupies four consecutive addresses on the Pamux bus.

For additional technical information about Pamux, please refer to Opto 22 form number 726.

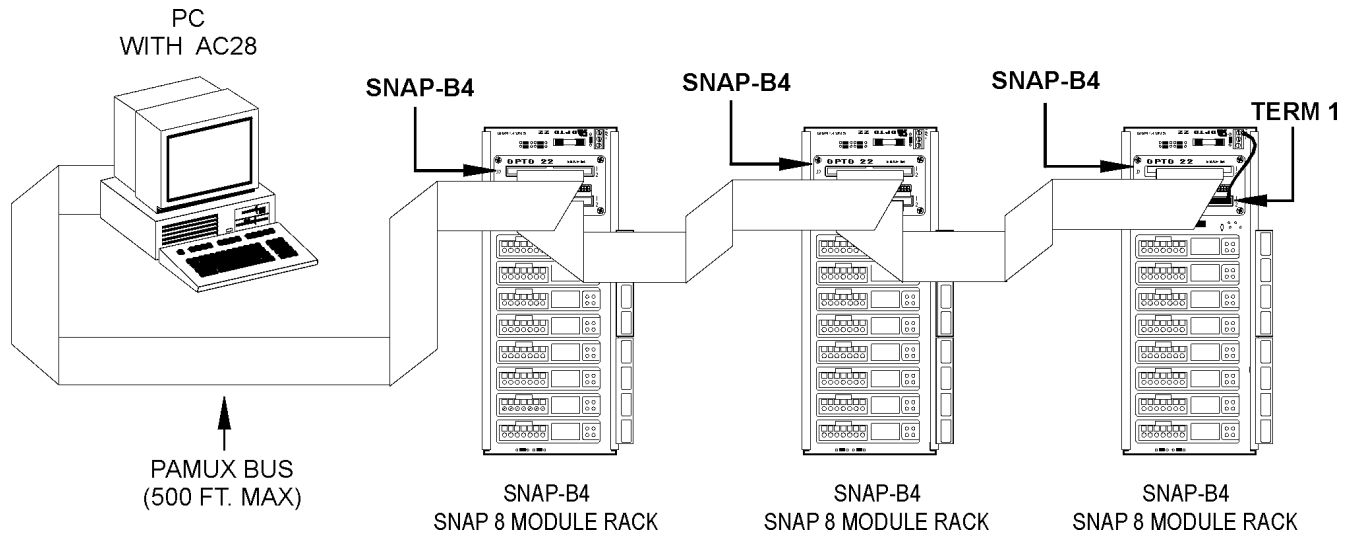


SNAP-B4 Digital Brain

Features

- PAMUX Bus
- Configurable Watchdog Timer
- Digital Only
- Very High Speed
 - 500 I/O Points
 - 500 Microseconds
- Cable Lengths up to 500 Feet

System Architecture



Specifications

General

Power Requirements	5.0 VDC \pm 0.1 VDC @ 1.0A max. (If Term1 installed add 0.5A)
Operating Temperature	0° C to 70° C, 95% humidity, non-condensing
Communications Interface	Pamux Bus; two 50-pin connectors
Range: (Multidrop mode)	Up to 500 feet
LED Indicators	SEL (address selected), WD (watchdog timeout)
Jumpers	0 - 3 Address 4 - 5 Watchdog Timer Function 6 Reset Level 7 Effect of Reset on Channel 0 Watchdog

Form 955-050221

Dimensional Drawing

