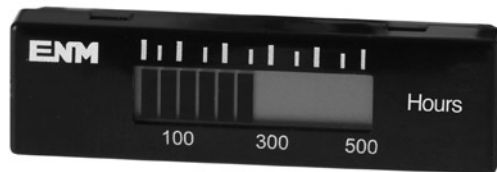


Miniature LCD Hour Meter, T47 Series



T47A1 100-250 VAC Series



T47A2 6-24 VDC Series

ENM's Series T47 is a miniature hour meter that replaces current mercury meters on the market. The meter is available in either AC or DC which makes it applicable to a wide variety of applications. The compact size of the unit makes it easy for mounting in small places. Connection to the unit only requires applying external power to the wires/pins on the unit.

Data is stored in an onboard memory chip which is maintained by 2 internal batteries so the data is not lost, even when external power is removed. (Data is only lost when battery life is ended).

Specifications

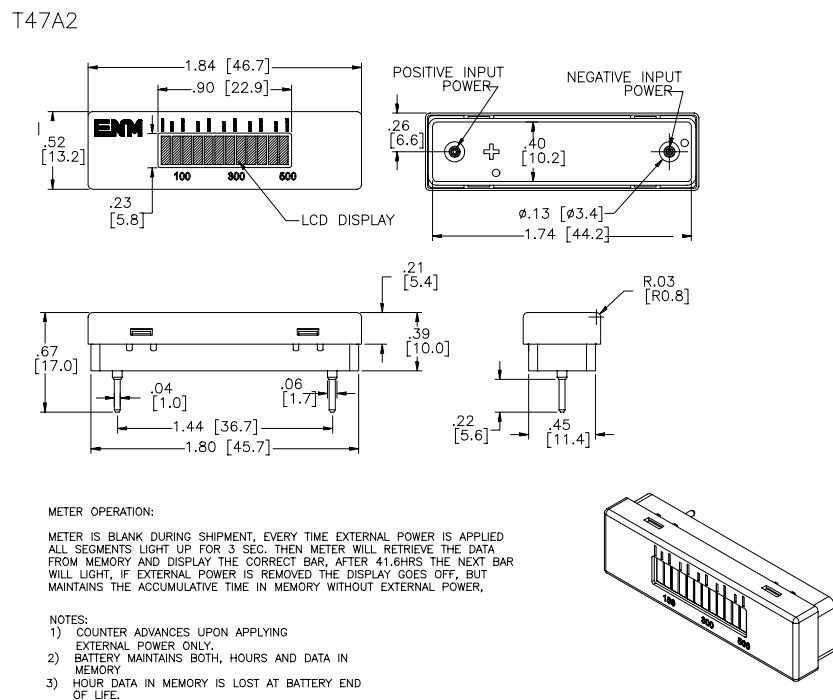
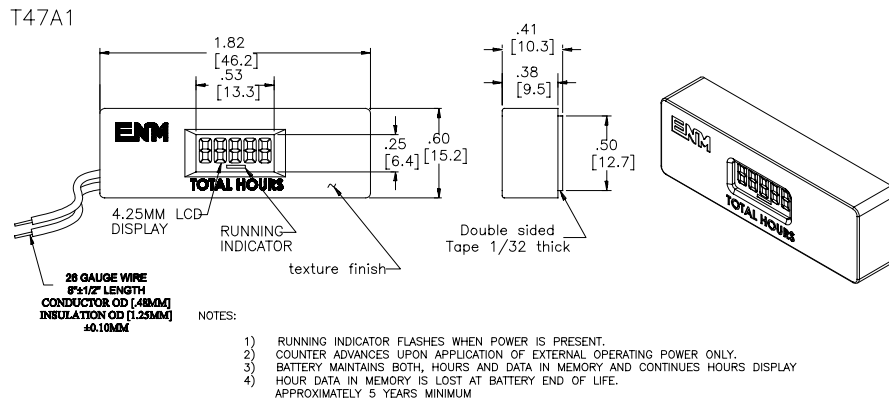
Display Reading:	5-digits 4.25mm LCD display (AC unit). 12 bar graph LCD display (DC unit). Each bar increments 41.6 hrs for total of 500 hrs. (DC unit)
Operating Voltage:	100-250 VAC 50/60 Hz, 6-24 VDC
Accuracy:	±5% over entire range @ 25° C
Temperature:	-10° C to +65° C
Memory Storage:	Internal battery
Battery Life:	5 years without external power @25° C
Operating Life:	Over 100 million counts
Connection Style:	2 wires for AC version, 2 pins for DC version
Polarity:	Reverse polarity protected for DC version only.
Case:	Black polycarbonate

Features

- ROHS compliant
- Data maintain by internal battery
- Compact size
- Long operating life
- Wide operating temperature
- Accurate readings
- Easy connections
- Meter only active when external power is applied to preserve battery life

2010 ENM Co.®

T47 Series



All dimensions are in inches.
 Dimensions in brackets are in millimeters.

2010 ENM Co.®

LIMITED WARRANTY

ENM Company resettable electromechanical counters are warranted to the consumer to be free from defects in material and workmanship for a period of 1 year. All ENM products which fall within the warranty period due to defects in material or workmanship will be repaired or replaced, at ENM's option, without charge to the consumer when returned with proof of purchase to any authorized ENM dealer in the United States, transportation charges prepaid, provided there is no evidence of improper installation, tampering, or other abuse. All implied warranties, including any implied warranty of merchantability or fitness for a particular purpose, shall be limited in duration to the express warranty period specified above. ENM disclaims any liability for consequential damages due to breach of any written or implied warranty on its products. Datasheet information subject to change.