

DC - 3 WIRE-SHORT BODY
Brass, Nickel Plated (BN), Cylindrical,
Threaded, 10-30V DC, 250mA,
LED for Output Energized

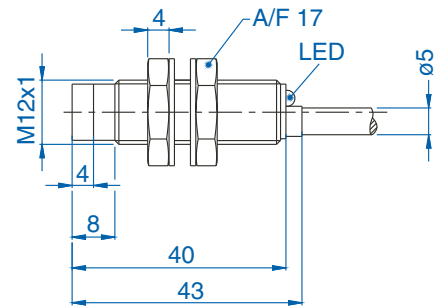
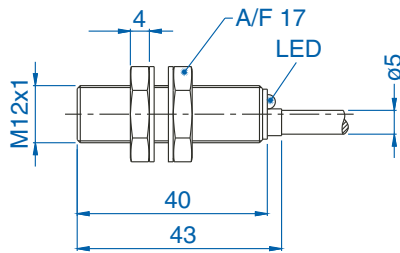
- IEC (529) IP67 (NEMA 1, 3, 4, 6, 12, 13) Protection
- Short Circuit Protection
- Overload Protection
- Reverse Polarity Protection
- Wire Break Resistance
- Transient Voltage Protection
- Temperature Range: -25 to 70°C (-13 to 158°F)



M12 Flush Mount				M12 Non-Flush Mount			
Sensing Distance 2mm (0.08 in.)				4mm (.16 in.)			
Cable or Connector Style Cat. No.		Cable	65	Cable		65	
PNP	Normally Open	AIK12F02AP024-2M	AIK12F02AP024-Q65	AIK12N04AP024-2M	AIK12N04AP024-Q65		
	Normally Open	AIK12F02AN024-2M	AIK12F02AN024-Q65	AIK12N04AN024-2M	AIK12N04AN024-Q65		
Ripple Voltage		≤ 10%		Ripple Voltage		≤ 10%	
Voltage Range		10-30V		Voltage Range		10-30V	
No-Load Current		≤ 15 mA		No-Load Current		≤ 15mA	
Max. Load Current		250 mA		Max. Load Current		250 mA	
Voltage Drop Across Sensor		≤ 2.5V		Voltage Drop Across Sensor		≤ 2.5V	
Max. Leakage Current		≤ 1 μA		Max. Leakage Current		1μA	
Switching Frequency		1000 Hz		Switching Frequency		1000 Hz	
Hysteresis		≤ 0.2mm		Hysteresis		≤ 0.6mm	
Temperature Drift		≤ ±4μm/K		Temperature Drift		±8μm/K	
Repeatability		≤ 0.1mm		Repeatability		≤ 0.3mm	

Fixed Cable

PVC 2m (6ft. 6in.). For other cable lengths and/or PUR cable, please consult Altech. Supplied with brass, nickel plated locknuts.



65 Style Connector

4-pin, Micro style, 12mm (.47 in.). Supplied with brass, nickel plated locknuts.

