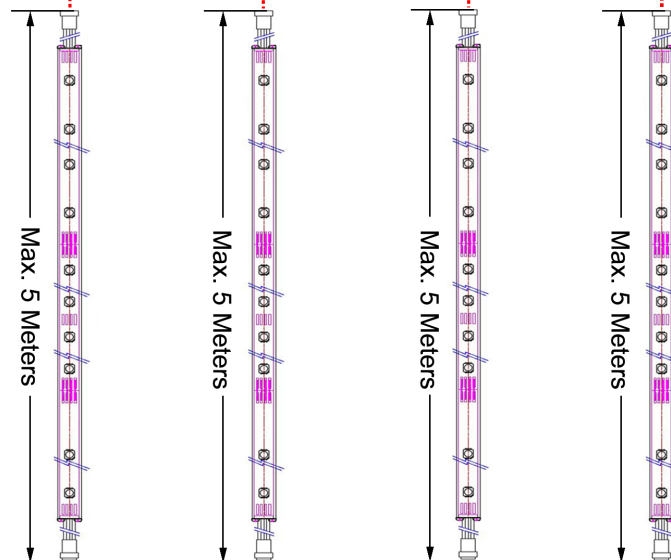
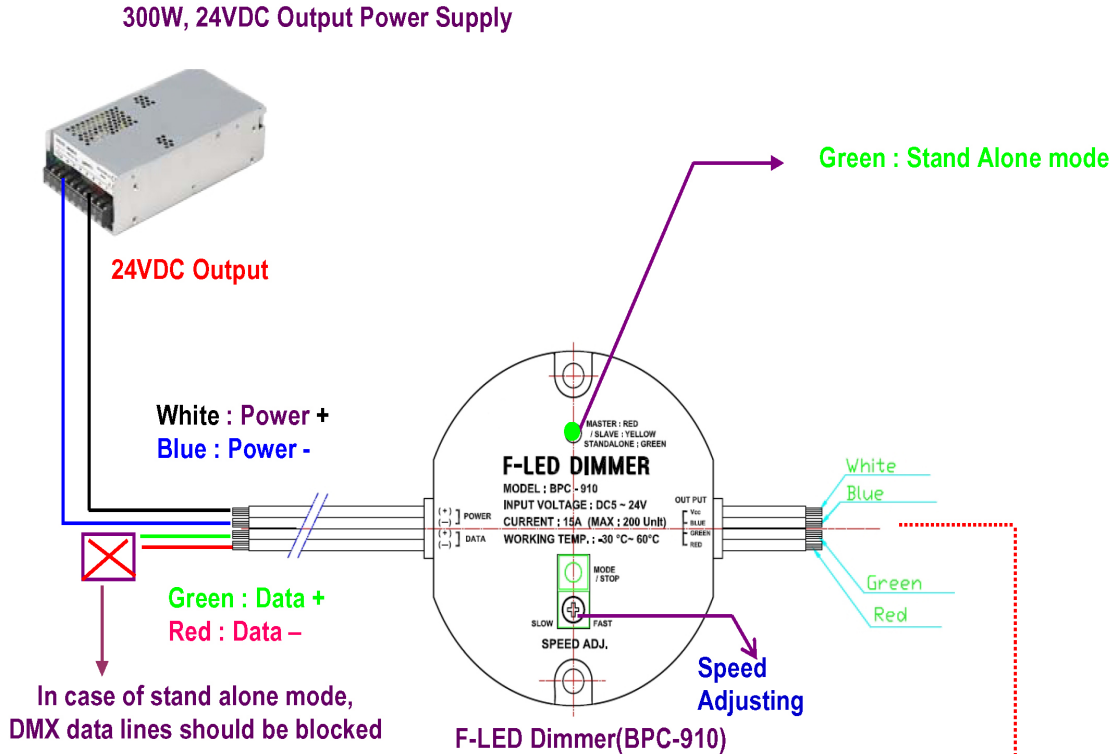


Mode button : each mode sets sequentially by pushing a mode button

- Master mode
- Slave mode
- Stand alone mode
- Holding(stop) mode : pushing a mode button (around 2sec.) until the mode display LED blinks

Model Name	RGB F-LED Dimmer (RGB Dimming controller)
Model No.	WL-BPC-910
Input Voltage	5~24VDC
Operating Current (Output)	15A (Max.)
Dimension	65mm(Φ) x 64mm(L) x 14.5mm(H)
Communication	PWM + DMX 512
Operating Temp.	-30°C ~ 60 °C
Dimming Pattern	

Installation between RGB BL05G and BPC910 (Stand Alone)



Total 72 modules (Max.)

Length (Unit: mm)	Watt/a pc	Max. number connected to a DC Power Supply	
		100W	300W
WL-BL05G 900mm	10.5W	8pcs	24pcs
WL-BL05G 600mm	7W	12pcs	36pcs
WL-BL05G 300mm	3.5W	24pcs	72pcs