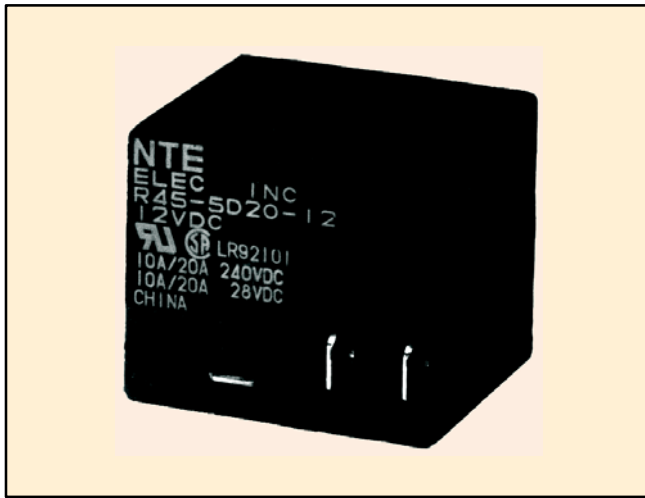
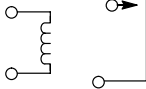


## Features

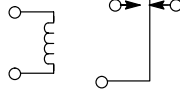
- .250" (6.35mm) Quick-Connect Terminals on Top
- Printed Circuit Terminals on Bottom
- Flange Mount (F-suffix)
- Rugged, Miniature Construction
- Single-Pole Switching
- Epoxy Sealed



SPST-NO, 1 Form "A"



SPDT, 1 Form "C"

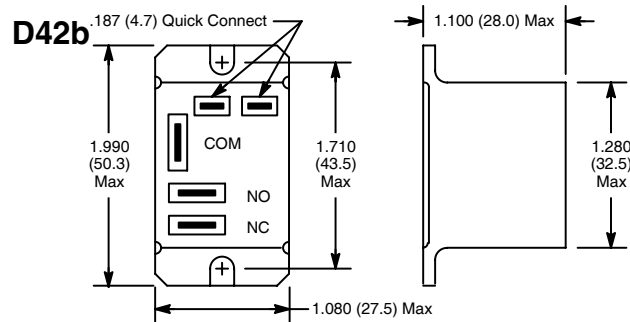
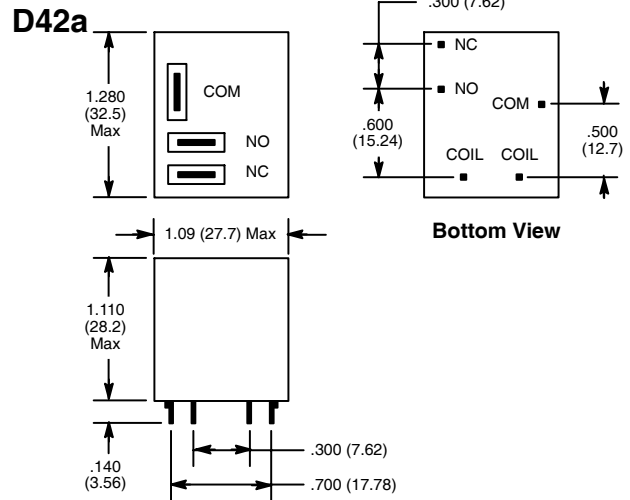


DC OPERATED						
NTE Type No.	Nom. Volt.	Contact Arr.	Coil Res. Ohms (Typ)	Nom. Power	Max. Contact Current @ 28VDC 240VAC	Diag No.
R45-1D30-5/6	5VDC	SPST-NO	28	900mW	30A	D42a
R45-1D30-5/6F	5VDC	SPST-NO	28	900mW	30A	D42b
R45-1D30-12	12VDC	SPST-NO	155	900mW	30A	D42a
R45-1D30-12F	12VDC	SPST-NO	155	900mW	30A	D42b
R45-1D30-24	24VDC	SPST-NO	660	900mW	30A	D42a
R45-1D30-24F	24VDC	SPST-NO	660	900mW	30A	D42b
R45-5D20-5/6	5VDC	SPDT	28	600mW	20A	D42a
R45-5D20-5/6F	5VDC	SPDT	28	600mW	20A	D42b
R45-5D20-12	12VDC	SPDT	155	600mW	20A	D42a
R45-5D20-12F	12VDC	SPDT	155	600mW	20A	D42b
R45-5D20-24	24VDC	SPDT	660	600mW	20A	D42a
R45-5D20-24F	24VDC	SPDT	660	600mW	20A	D42b

# R45 Series



Industrial, Printed Circuit Mount, SPST and SPDT, 20 Amp and 30 Amp Relays for use in Machinery, Major Appliances, and Air Conditioning Controls.



## Electrical Specifications

### Contact

**Rating:** 1 Form A (SPST-NO), 30 Amps at 240VAC/28VDC  
1 Form C (SPDT), 20 Amps at 240VAC/28VDC

**Resistance:** See Chart

### Coil

**Coil Voltages:** See Chart

**Pick-up Voltage:** DC: 75% of Nom., AC: 85% of Nom.

**Drop-out Voltage:** DC: 10% of Nom., AC: 15% of Nom.

### Operational Characteristics

**Timing Values** . . . . . **Operate Time:** DC: 15mS, AC: 20mS  
**Release Time:** DC: 20mS, AC: 15mS

### Insulation Characteristics

**Dielectric Strength (Initial)**

**Contact to Contact:** 1500VAC/1 minute

**Coil To Contact:** 1500VAC/1 minute

### Environmental Characteristics

**Operating:** -55°C to +85°C

**Storage:** -55°C to +125°C

### Life

**Electrical:** 100,000 operations min.

**Mechanical:** 10 x 10<sup>6</sup> (100,000,000) operations min.