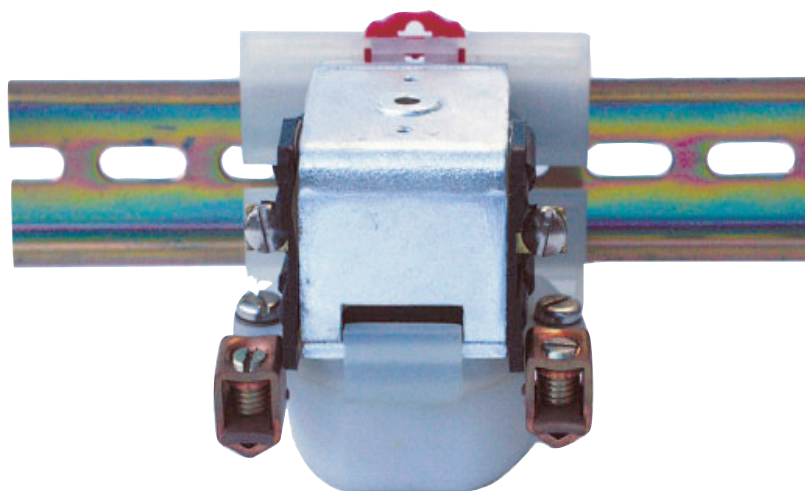
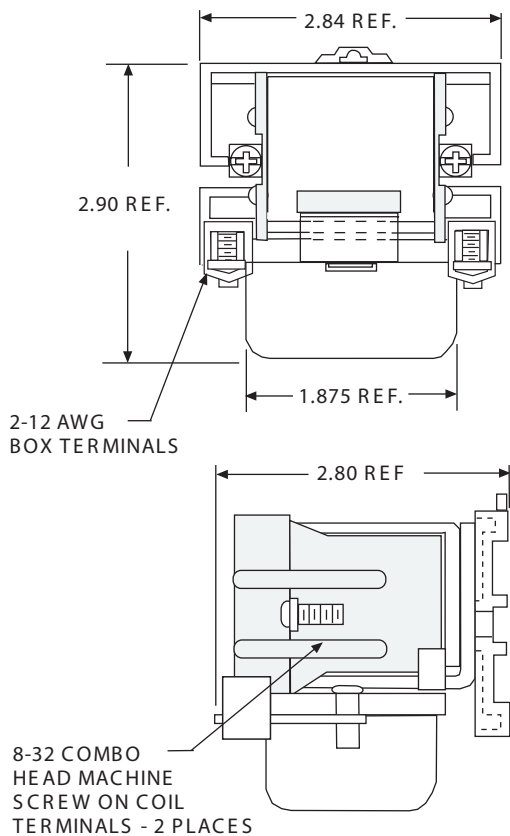


CLASS B101, IS A DC SOLENOID-ACTUATED, HEAVY DUTY CONTACTOR. EACH CONTACTOR HAS A SINGLE POLE, DOUBLE-MAKE OR DOUBLE-BREAK CONTACT. DIN-RAIL MOUNTING IS STANDARD. THE B101 IS SUITABLE FOR POWER APPLICATIONS IN TELECOMMUNICATIONS, ELEVATOR AND RAIL MASS TRANSIT, AS WELL AS OTHER INDUSTRIES.

SPST-N.O.-D.M. OR  
SPST-N.C.-D.B.,  
100 AMPS

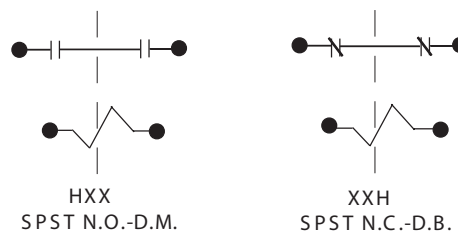
OUTLINE DIMENSIONS  
DIMENSIONS SHOWN IN INCHES & (MILLIMETERS).



**STRUTHERS-DUNN**  
ORDERING CODE FOR RELAYS

CLASS: _____	B 101	HXX	-28D
100 AMP, 1 POLE			
CONTACT ARRANGEMENTS: _____			
HXX 1 POLE N.O.-D.M.			
XXH 1 POLE N.C.-D.B.			
COIL VOLTAGE: _____			
DC: 12, 28 & 48 ADD "D" FOR DC COILS			
AC: 120, 240 ADD "A" FOR AC COILS			
OPTIONS (CONSULT FACTORY)			
AC COIL INPUT VOLTAGES			
NON STANDARD DC COIL VOLTAGES			

WIRING DIAGRAM



**SPST-N.O.-D.M. OR  
SPST-N.C.-D.B.,  
100 AMPS**

**GENERAL SPECIFICATION (@ 25 °C)**

**COIL**

Pull-in Voltage: 80% of nominal voltage or less for DC coils,  
Dropout Voltage: 10% of nominal voltage or more @ 25 °C  
Max. allowed voltage: ± 110%  
Coil Resistance: ± 10% @ 25 °C  
Duty: Continuous

**CONTACTS**

Contact Material: Silver Alloy  
Contact Rating: 100 amps @ 120/240 VAC  
100 amps @ 28 VDC

**TIMING**

Operate Time: 60 mS max. @ nominal voltage.  
Release Time: 30 mS max. @ nominal voltage.

**DIELECTRIC STRENGTH**

All Mutually Insulated Points: 1500V rms between all mutually  
Insulated current carrying parts and those  
parts to ground.

Insulation Resistance: □ 1000 Megohms minimum @ 500 VDC

**TEMPERATURE**

Temperature Rating: -45 °C to +65 °C @ rated operation.

**LIFE EXPECTANCY**

Mechanical: 1,000,000 operations @ no load  
Electrical: 100,000 operations @ rated load.

**TERMINALS**

Coil Terminals: #6-32  
Load Terminals: AWG 2-12 pressure wire connector

**MISCELLANEOUS**

Mounting: Panel or 35 mm DIN-rail  
Weight: 370 Grams

**AC CONTACT RATINGS**

VOLTAGE AC (60HZ)	RESISTIVE LOADS (AMPS)
	Series B101
120	100
240	100
DC CONTACT RATINGS	
VOLTAGE DC	RESISTIVE LOADS (AMPS)
	Series B101
30	100

**DC COIL SPECIFICATION @ 25 °C**

Nominal Voltage (VDC)	B101 (10.5W Max.)
	Resistance Ohms +/-10%
12	17
28	75
48	290