
MULTI-FUNCTION MODULE FILTERS

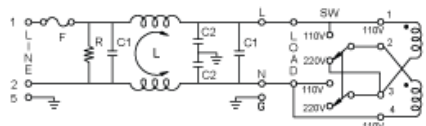


Primary Power Components Division

[EMI Filter Cross Reference](#)

[EMI Filter Inquiry Form](#)

**RoHS
Compliant**

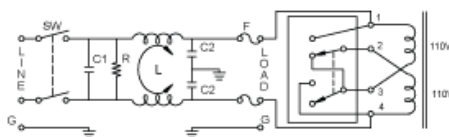


C

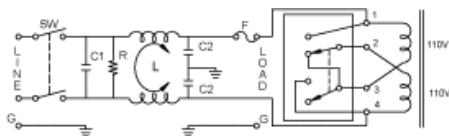
Part Number	Electrical Schematic	Amp Rating 115-250	Size L x W x H	IEC Conn	Fuse Holder	Power Switch	Voltage Selector
862-06/001	A	6	2.65 x 2.17 x 1.15	Yes	Yes	--	No
862-06/002	B	6	2.65 x 2.17 x 1.15	Yes	Yes	S P	No
862-06/003	B	6-4	2.65 x 2.17 x 1.15	Yes	Yes	D P	No
862-06/007	C	6	2.65 x 2.17 x 1.15	Yes	Yes	--	Yes

864 Series Multi-Function Module Filters

A multi-function power entry module filter that incorporates an IEC connector, double pole power switch, voltage selector switch, and optional single or double fuse holder (5 x 20) or (6.3 x 32) offering space savings.



A



B

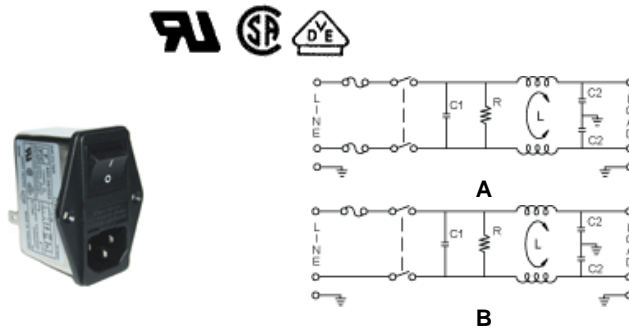
Part Number		Electrical Schematic	Amp Rating	Size L x W x H	IEC Conn	Fuse Holder	Power Switch	Voltage Selector
864-03/001		A	3	3.61 x 1.99 x 2.37	Yes	Double*	D P	Yes
864-03/003		B	3	3.61 x 1.99 x 2.37	Yes	Single*	D P	Yes
864-06/005		A	6	3.61 x 1.99 x 2.37	Yes	Double*	D P	Yes
864-06/007		B	6	3.61 x 1.99 x 2.37	Yes	Single*	D P	Yes
864-10/009		A	10-6**	3.61 x 1.99 x 2.37	Yes	Double*	D P	Yes
864-10/011		B	10-6**	3.61 x 1.99 x 2.37	Yes	Single*	D P	Yes

* UL Rated 10A 125 and 250. VAC, CSA, VDE Rated 6A 250 VAC

** UL 10A 125/250 VAC, CSA 6A 125/250 VAC, VDE 6A 250VAC

880 Series Multi-Function Module Filters

A multi-function power entry module filter that incorporates an IEC connector, double pole power switch, voltage selector switch, and optional single or double fuse holder (5 x 20) offering space savings.

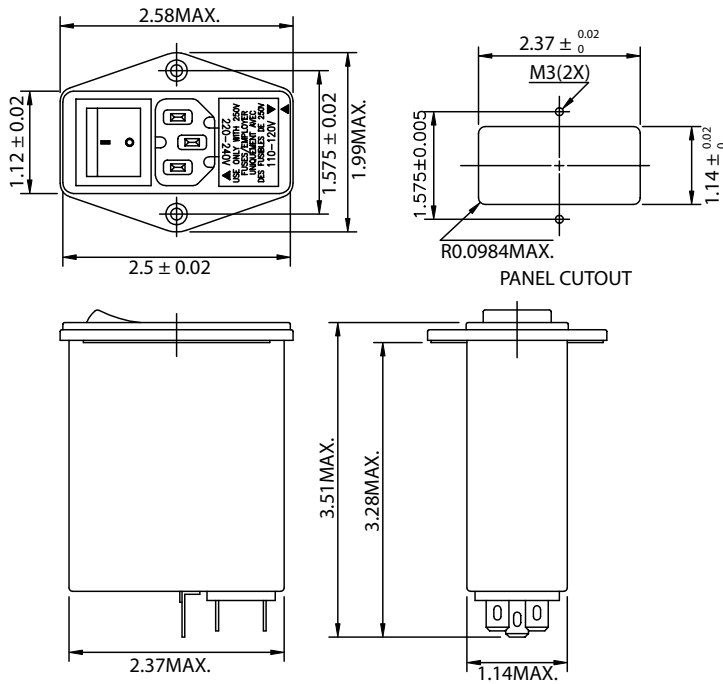


Part Number		Electrical Schematic	Amp Rating	Size L x W x H	IEC Conn	Fuse Holder	Power Switch	Voltage Selector
880-01/001		A	1	2.46 x 1.97 x 2.34	Yes	Double	D P*	No
880-01/004		B	1	2.46 x 1.97 x 2.34	Yes	Single	D P*	No

THESE DRAWINGS ARE THE PROPERTY OF QUALTEK ELECTRONICS AND NOT TO BE REPRODUCED FOR OR COMMUNICATED TO A THIRD PARTY WITHOUT THE EXPRESS WRITTEN PERMISSION OF AN OFFICER OF QUALTEK ELECTRONICS.

REVISION		
REV.	DESCRIPTION	APPROVED
B	RoHS Compliancy	DP

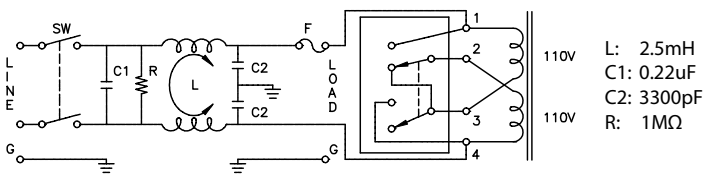
1. PHYSICAL DIMENSIONS



ELECTRICAL CHARACTERISTICS:

- 1-1. VOLTAGE RATING.....115/250VAC
 - 1-2. CURRENT RATING
A. @ 115 VAC.....6 A RMS MAX
B. @ 250 VAC.....6 A RMS MAX
 - 1-3. OPERATING FREQUENCY.....50/60Hz
 - 1-4. LEAKAGE CURRENT: EACH LINE TO GROUND
A. @ 115 VAC 60Hz.....0.25 mA MAX
B. @ 250 VAC 50Hz.....0.45 mA MAX
 - 1-5. HIPOT RATING (FOR ONE MINUTE)
A. LINE TO GROUND.....2250 VDC
B. LINE TO LINE.....1450 VDC
 - 1-6. MINIMUM INSERTION LOSS IN dB: (AT 50 OHM SYSTEM)
- | FREQ. MHz | .01 | .05 | .10 | .15 | .50 | 1.0 | 5.0 | 10 | 30 |
|--------------|-----|-----|-----|-----|-----|-----|-----|----|----|
| COM. MODE dB | / | 10 | 15 | 20 | 30 | 35 | 45 | 40 | 30 |
| DIF. MODE dB | / | 2 | 5 | 8 | 20 | 30 | 30 | 45 | 40 |
- 1-7. OPERATING TEMPERATURE.....-25° TO +85° C
 - 1-8. SAFETY:
 - 1-9. RoHS COMPLIANT

2. ELECTRICAL SCHEMATIC



CONTROLLED

Dim range (mm)		Tolerance +/- (mm)	Qualtek Electronics Corp. PPC DIVISION	
0-1	0.15		Part Number: 864-06/007	
1-6	0.20		Description: EMI FILTER	
6-18	0.30			UNIT: in
18-50	0.50		Drawn / Date	
50-120	0.70		B.ZHANG	
120-250	0.90			
250-500	1.20			