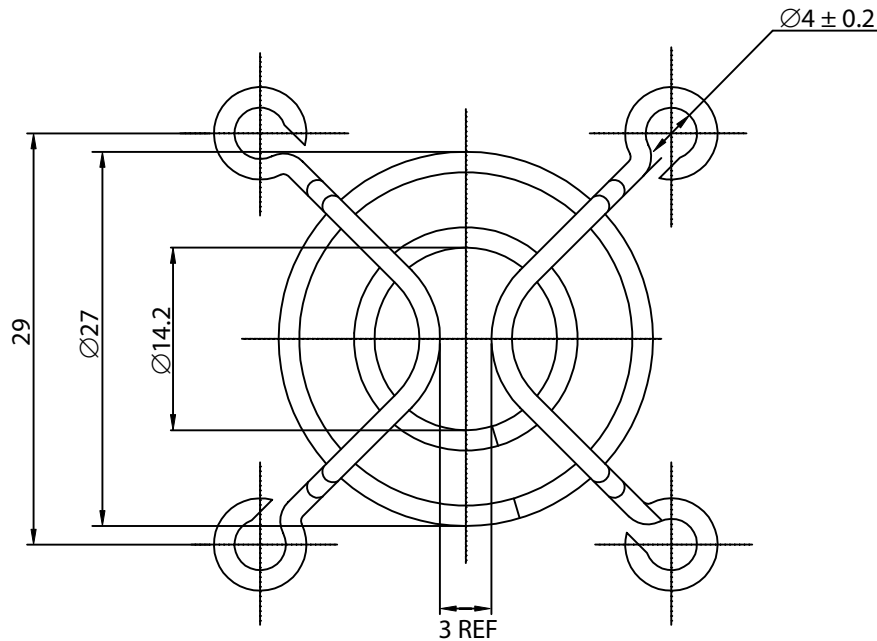


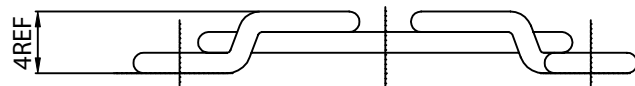
THESE DRAWINGS ARE THE PROPERTY OF QUALTEK ELECTRONICS AND NOT TO BE REPRODUCED FOR OR COMMUNICATED TO A THIRD PARTY WITHOUT THE EXPRESS WRITTEN PERMISSION OF AN OFFICER OF QUALTEK ELECTRONICS.

REVISION			
REV.	DESCRIPTION	DATE	APPROVED



NOTES:

1. MATERIAL: C1008 BRIGHT BASIC WIRE
2. FINISH: BRIGHT NICKEL CHROME PLATING
3. 0.35 ± 0.05 DEPTH OF SERRATIONS ON WIRE
4. RING: Ø1.6 ± 0.5mm
RIB: Ø1.6 ± 0.5mm
5. GENERAL TOLERANCE UNLESS NOTED IS ± 0.5mm
6. RoHS COMPLIANT



CONTROLLED

Dim range (mm)	Tolerance +/- (mm)	Qualtek Electronics Corp. FAN-S DIVISION		
		Part Number: 08347	RoHS Compliant	
0-1	0.15	Description: WIRE FORM FAN GUARD (35mm)		
1-6	0.20	UNIT: mm		
6-18	0.30			
18-50	0.50	Drawn / Date Checked / Date Approved / Date		
50-120	0.70			
120-250	0.90	B.Grubb 04-26-07	04-26-07	JJH / 04-26-07
250-500	1.20			