

# MICRO SWITCH

FREEPORT ILLINOIS, U.S.A  
A DIVISION OF HONEYWELL

FED. MFG. CODE 91929

# SWITCH-BASIC

CATALOG LISTING

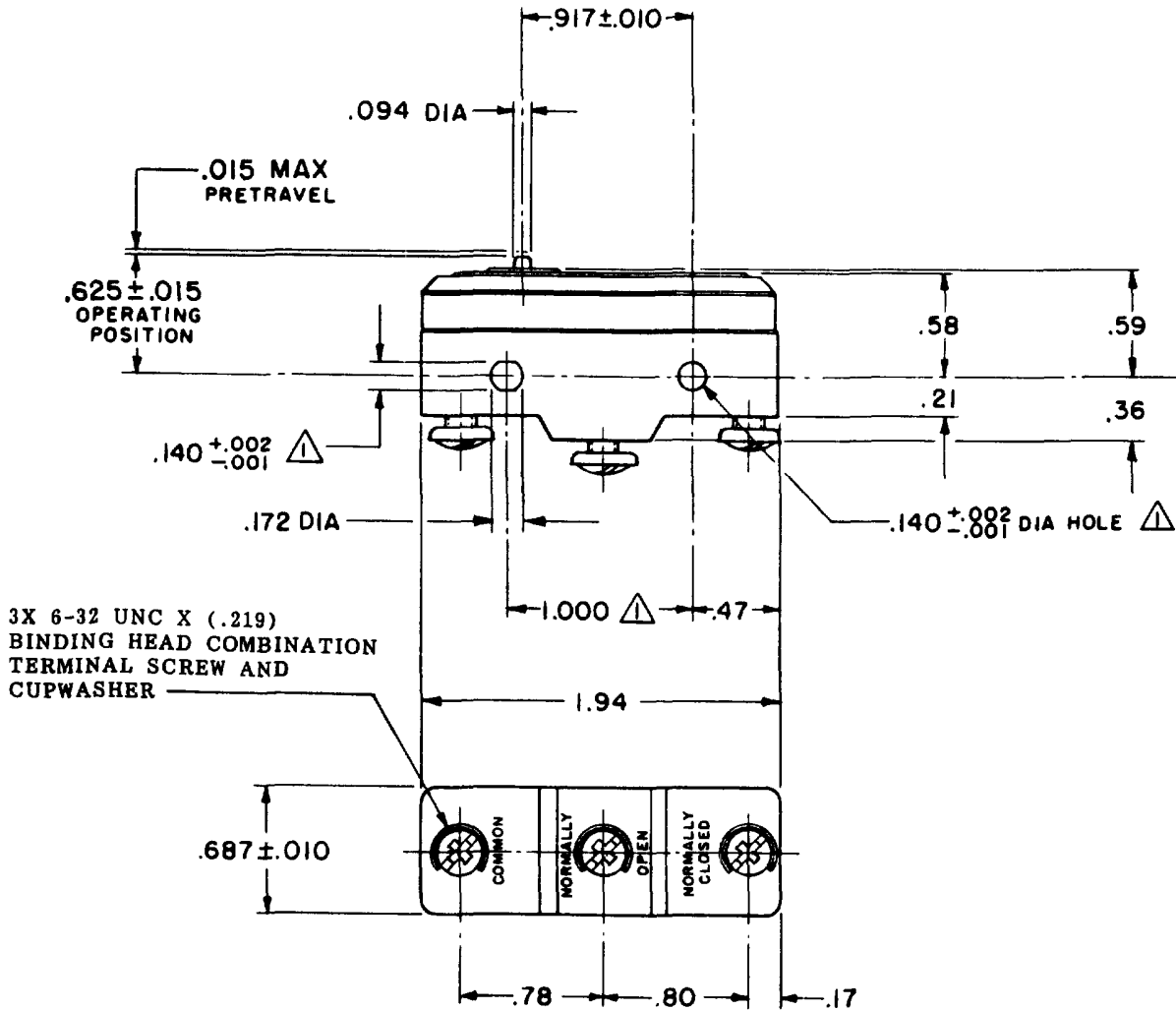
## BZ-2R244-A2

**M** BZ-2R244-A2  
 PAGE 1 OF 1  
 RELEASE NO. PR-1007  
 REPLACES

DRAWING NUMBER  
**4**  
 ISSUE

REVISIONS	
A	CO-173287-J JAL 22 NOV 93
B	C093346 DLT 28 AUG 98
C	0007223 AS 18AUG04

CHECK 18AUG04 AK  
 CHECK 17 Dec 69  
 CHECK LSD  
 CHECK 8 DEC 69  
 DRAWN GCH  
 FORMTEK FO-50378-1A



### NOTES

- △ - MOUNTING HOLES WILL ACCEPT PINS OR SCREWS OF .139 MAX DIA ON 1.000 ± .002 CENTERS
- 2 - SWITCH WILL WITHSTAND TEMPERATURE OF 400° F FOR 100 HOURS

THIS DRAWING COVERS A PROPRIETARY ITEM AND IS THE PROPERTY OF MICRO SWITCH, A DIVISION OF HONEYWELL. THIS DRAWING IS NOT TO BE COPIED OR USED WITHOUT THE APPROVAL OF MICRO SWITCH.

CHARACTERISTICS	ELECTRICAL DATA	SCALE FULL
OPERATING FORCE ----- 9 - 13 OZ	CONTACT ARRANGEMENT S P D T	DO NOT SCALE PRINT
RELEASE FORCE ----- 4 OZ MIN	UNDERWRITERS' LAB. INC. LISTED RATING 5 A-125, 250 OR 480 VAC -L35- 1/2 A-125 VDC; 1/4 A-250 VDC	UNLESS OTHERWISE NOTED DIMENSIONS ARE IN INCHES
DIFFERENTIAL TRAVEL --- .0004 - .0020	-L288-	<b>TOLERANCES ARE:</b>
OVERTRAVEL ----- .005 MIN		ONE PLACE (.0) ± .030 TWO PLACE (.00) ± .015 THREE PLACE (.000) ± .005 ANGLES ±
		WEIGHT .063 LB