

Plug-in Screw Connector System for Printed Circuit Boards

TYPE 121-C-111

0.2 in. spacing - 2 to 24 poles



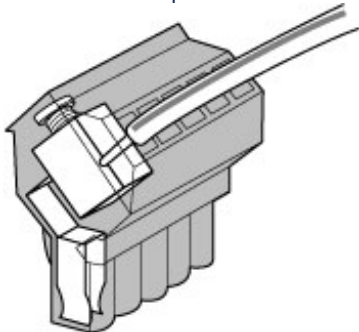
Series	Download PDF	3D Model	Can plug with	How to order	Color specifications	Print
--------	--------------	----------	---------------	--------------	----------------------	-------



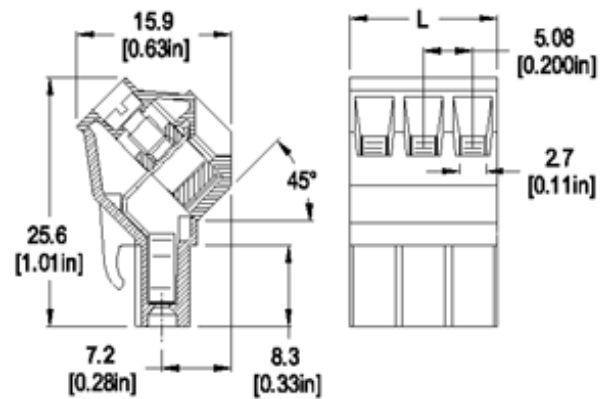
121-C-111



One possible variation of assembly



Typical Application



Dimensions: mm (in.)

Length of Connector (L)
L = No. of Poles x Center to Center Spacing

When locating connector, allow 0.5 mm clearance around it for process-induced variations.

Approval Information

UL File No.E69841
CSA File No.LR24322

Rating	Current(A)	Voltage(V)	Application group	AWG
UL	15	300	B	26-12
UL	10	300	D	26-12
CSA	10	300	B,D,E	26-12

* UL: 24-26 AWG range for factory wiring only.

Screw Tightening Torque:

UL: 4.5 lbf·in
CSA: 0.51 Nm

International Approvals:



Rated Impulse Withstand Voltage: 2500 V

Description

Material

- Plug
- Plug-In Direction Perpendicular to PCB and Wire Entrance 45° to PCB when plugged with **121-M-121 /-221**, **121-M-161 /-261** and **121-M-191 /-291**

Technical Data

Center to Center Spacing: 5.08 mm (0.200 in.)
Nominal Cross Section:
 2.5 mm² (3874 mils²)
Wire Stripping Length: 7 mm (0.28 in.)

Illustration



Coding keys **120-K** are available to prevent the insertion of the wrong plug into a header. These are usually field inserted but can be factory installed if required.

[Top of page](#)

Molding: Polyamide, self extinguishing UL 94, V-0, color grey

Temperature limits:

Short Time: 140°C (284°F)

Continuous: RTI 105°C (221°F)

Low Limit: -40°C (-40°F)

Comparative Tracking Index: CTI > 600

Oxygen Index Rating: 33%

Terminal Body: Nickel plated copper alloy

Wire Protector and Contact Spring: Tin plated copper alloy

Screw: M3, Slotted head, zinc plated blue passivated, steel substrate

How to order

Item 121-C-111

Options

- BS: Copper Alloy Screw
- CN: Consecutive Numbering (hot stamped numbers)
- SM: Special Marking (please provide sketch)
- PS: Clear Chromate Passivated, zinc plated, Steel Screws
- G05: Gold Plating (5 micro inches)
- G30: Gold Plating (30 micro inches)
- S30: Silver Plating (30 micro inches)

Note: Plated component: contact spring

Ordering Note: Voltage rating for 0.4 in. spacing is UL certified for 15A - 300V / C and for 5A - 600V / D and CSA certified for 600 / D,E (121-C-112).

121-C-111/

POLES:
02 to 24

Request sample

Request quote

Quantity

Accessories

[BST Self Adhesive Marking Strips.](#)

[Consecutively numbered.](#)

[Jumper, Type 970-J1.](#)

Add to shopping cart