


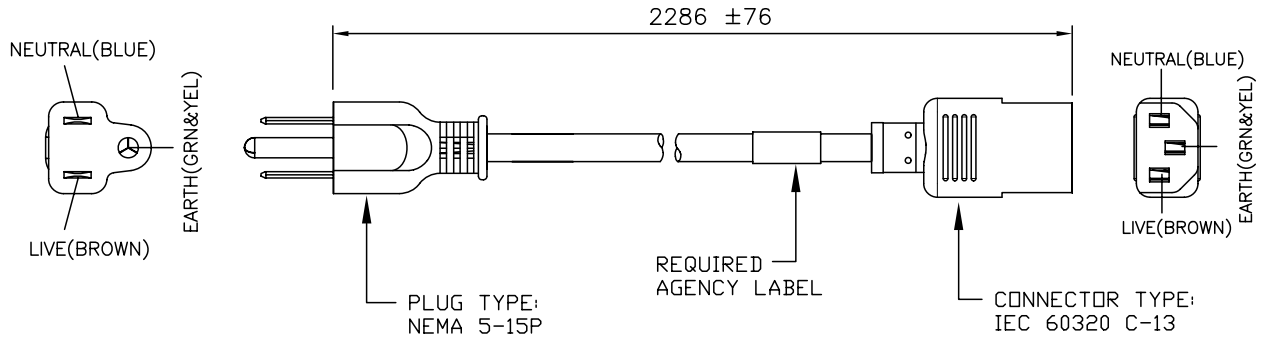
VOLEX

GROUP

## Standard Cord Details: 17757 10 B1



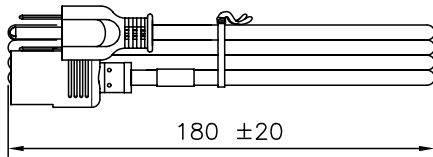
Specifications	
<b>Certifications</b>	
<b>Part Number</b>	17757 10 B1
<b>Connector Type</b>	C13
<b>Plug Type</b>	5-15P
<b>Category</b>	Plastic
<b>Application</b>	Detachable
<b>Plug Catalog No.</b>	US15S3
<b>Connector Catalog No.</b>	V1625
<b>Cable</b>	SVT AWG 18x3
<b>Jacket Color</b>	Black
<b>Length in Feet</b>	7'6"
<b>Length in Meters</b>	2.3
<b>Temperature Rating</b>	105C
<b>Packaging Units Per Carton</b>	50
<b>Color Coding</b>	International
<b>Nominal OD in Inches</b>	0.246
<b>Nominal OD in Millimeters</b>	6.25
<b>Notes</b>	See 17251 for 60C version.



VOLEX RESERVES THE RIGHT TO ALTER NON-CRITICAL DIMENSIONS WITHOUT NOTICE.

- NOTES:
- 1) CORDAGE: 18/3 SVT, 105°C, BLACK
  - 2) APPROVALS:
  - 3) RATING: 10 AMP/125 VOLTS
  - 4) FLAME RATING: FT2
  - 5) PACKAGING: 100 PIECES/CARTON
  - 6) ALL DIMENSIONS IN MILLIMETERS.

PACKAGING: FOLD & TIE



REV	DESCRIPTION	DATE
2	REVISED TO SHOW CHINA MANUFACTURED CORD	11/26/07
1	C.U.D - NEW RELEASE	12/20/05

<p>FORM IN71-07 REV.A</p>	<input checked="" type="checkbox"/> Indianapolis, IN <input type="checkbox"/> Conover, N.C. <input type="checkbox"/> Freemont, CA <input type="checkbox"/> Aguascalientes, MX <input type="checkbox"/> Tijuana, Mexico <input type="checkbox"/> Hermosillo, MX <input type="checkbox"/> Clinton, AR <input type="checkbox"/> Kanata, Canada	<p><b>Proprietary Notice:</b></p> <p>This document is the property of Volex Incorporated. The information contained herein is not to be disclosed to anyone without the express written consent of Volex Inc.</p>	<p>MATERIAL: PLUG: PVC, BLACK JACKET: PVC, BLACK RoHS/Prop 65 Compliant</p> <p>FINISH: JACKET: SMOOTH</p>	<p>SCALE: NOT TO SCALE</p> <p>ECD: N/A</p> <p>TOLERANCE UNLESS OTHERWISE SPECIFIED .XXX ± .005 .X ± .02 FRACT. ± 1/32 ANGULAR ± 1/2°</p>	<p>ITEM DESCRIPTION CORDSET-NORTH AMERICAN DETACHABLE POWER SUPPLY CORD (7.5')</p>		
	<p>APPROVED: CR</p>		<p>DRAWN BY: MAF</p>	<p>DATE: 12/20/05</p>	<p>PART NO. 17757 10 B1</p>		