

Item # 3301-3000 Non-Reset Model



Non-Reset Model

The Redington Model 33 line of LCD counters provides a large display, 7mm high figures, in an eight digit counter. The counters are available in a variety of mountings: 2-hole rectangular, 3-hole round, flush-round and flush-rectangular. Voltage operating ranges are 10-277 VDC and 20-277VAC. All models are totally sealed from moisture and dirt and conform to NEMA 4 and 4X specifications when mounted with the optional gasket. Their rugged construction makes them ideal replacements for current electromechanical counters. Units have polarized LCD for high visibility in sunlight.

Specifications

Model No.	33
Mounting	Flush-Round
Display	LCD with large 0.28 inch (7mm) high Figures, black on light background
Display Height	0.28 Inch
Display Height	7 mm
No. of Digits	8
Max. Count/Displays	99999999
Voltage	10-277 VDC 20-277 VAC
Vih	10VDC min. 20VAC
Vil	3VAC 3VDC max.
Battery Life	7+ year
Speed	25 counts per second
Shock	44 to 55g's, SAE J1378
Vibration	20 g
Humidity	95% SAE J1378
Operating Temperature	-40 to +185 °F
Operating Temperature	-40 to +85 °C

Sealing	Totally sealed, panel gaskets-NEMA 4 and 4X
Approvals	CE compliant UL/cUL recognized (file no. ELIY2.E36690)
Termination	0.250 inch (6.4mm) spades
Case Material	Polymer (black)
Panel Cutout	1.45 x 0.95 Inch
Panel Cutout	24.0 x 37.0 mm
Weight	1 oz
Weight	28 gm
Stock Availability	Yes
Maximum Panel Thickness	0.15 Inch
Maximum Panel Thickness	3.8 mm



Description

The Redington Model 33 line of LCD counters provides a large display, 7mm high figures, in an eight digit counter. The counters are available in a variety of mountings: 2-hole rectangular, 3-hole round, flush-round and flush-rectangular. Voltage operating ranges are 10-277 VDC AND 20-277VAC. All models are totally sealed from moisture and dirt and conform to NEMA 4 & 4X specifications when mounted with the optional gasket. Their rugged construction makes them ideal replacements for current electromechanical counters. Units have polarized LCD for high visibility in sunlight.

Features

- AC or DC voltage input in the same unit
- Totally sealed from moisture and dirt
- Always on display
- Compact depth
- Clip retainer mount or screws (supplied)

Options

- Custom logos and bezels
- Terminations
- Remote reset - dry contact with 6" wire leads
- Gaskets
 - 5003-002S gasket for 2-hole mount
 - 5003-003S gasket for flush-rectangular mount
 - 5003-004S gasket for flush-round mount
 - 5003-005S gasket for 3-hole round mount

Specifications

Display: LCD with large 0.28" [7mm] high figures, black on light background

Records & Displays: 8 digit (99999999)

Inputs: 10 to 277VDC AND 20-277VAC
 Vih* 20VAC or 10VDC minimum
 Vil* 3VAC or 3VDC maximum

Speed: 25 counts per second

Battery Life: 7+ years

Shock: 44 to 55g's, SAE J1378

Vibration: 20 g @ 10 to 80 Hz, SAE J1378

Humidity: 95% SAE J1378

Operating Temperature: -40°F to +185°F [-40°C to +85°C]

Sealing: Totally sealed, panel gaskets-NEMA 4 & 4X

Agency Approvals: CE compliant
 UL/cUL recognized (file# ELIY2.E36690)

Termination: 0.250" [6.4mm] spades

Reset: Optional - dry contact with 6" wire leads

Case Material: Polymer (black)

Weight: 1oz [28g]

* Vih is the input high voltage. This is specified as the minimum input voltage that the Model 33 will recognize as a high level.
 Vil is the input low voltage. This is specified as the maximum input voltage that the Model 33 will recognize as a low level.

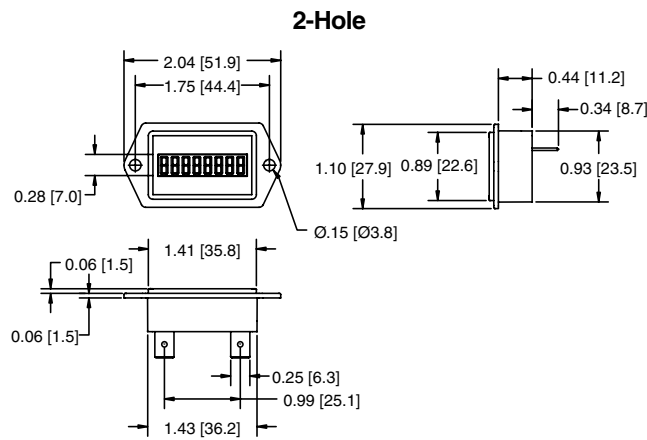
Note: When interfacing the Model 33 with a Solid State Relay or AC Sensor, the leakage current needs to be considered.

Models	Description	Models	Description
3301-0000	2-Hole Rect., 10-277 VDC AND 20-277VAC	3301-0010	2-Hole Rect., 10-277 VDC AND 20-277VAC, remote reset
3301-1000	3-Hole Round, 10-277 VDC AND 20-277VAC	3301-1010	3-Hole Round, 10-277 VDC AND 20-277VAC, remote reset
3301-2000	Flush-Rect., 10-277 VDC AND 20-277VAC	3301-2010	Flush-Rect., 10-277 VDC AND 20-277VAC, remote reset
3301-3000	Flush-Round, 10-277 VDC AND 20-277VAC	3301-3010	Flush-Round, 10-277 VDC AND 20-277VAC, remote reset

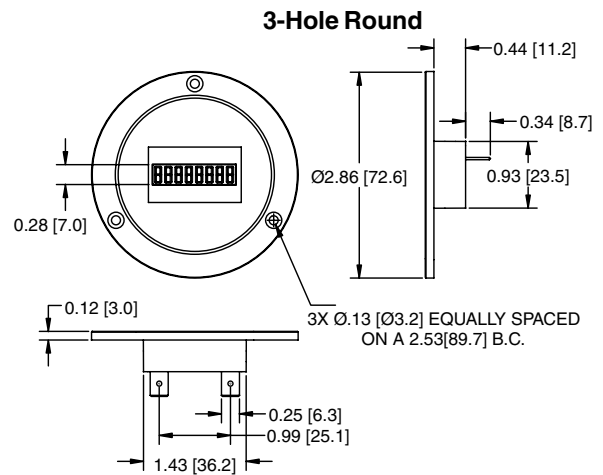
* All Items are normally in factory stock.



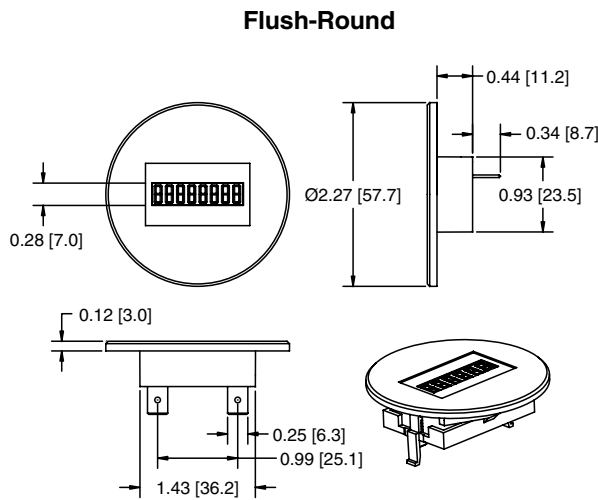
Dimensions



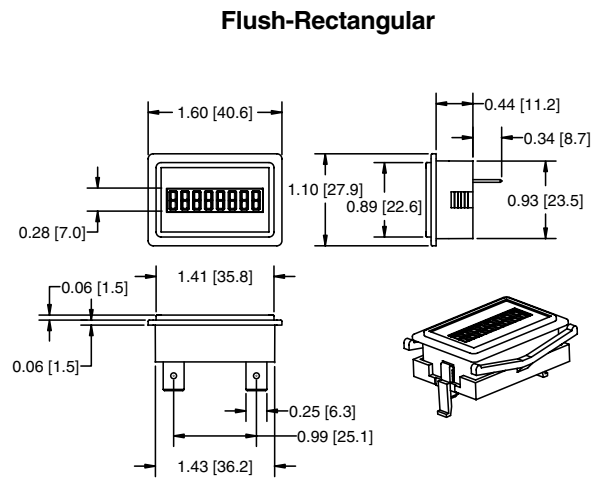
In-front panel cutout: 1.45 X 0.95 [24.0 x 37.0]
Behind panel cutout: 1.42 X 0.90 [22.9 x 36.1]



Panel cutout: 1.45 X 0.95 [24.0 x 37.0]



Panel cutout: 1.45 X 0.95 [24.0 x 37.0]
Maximum panel thickness: 0.15 [3.8]



Panel cutout: 1.45 X 0.95 [24.0 x 37.0]
Maximum panel thickness: 0.15 [3.8]

Applications

Medical Devices



Control Panels



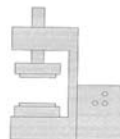
Secondary Equipment



Test Equipment



Production Equipment



Office Equipment

