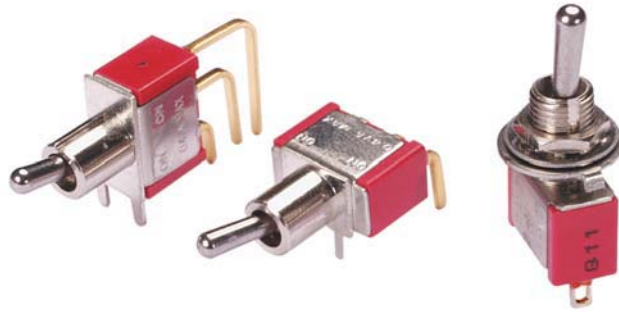


SERIES 34A
Miniature Toggle Switches

FEATURES

- Save Space and Weight
- SPDT, DPDT, 3PDT, and 4PDT Circuitry
- Choice of Actuators, Bushings and Terminations
- UL Recognized

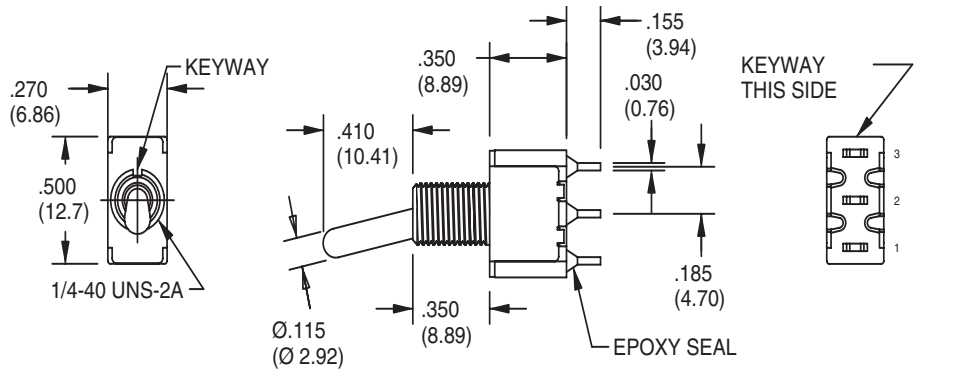
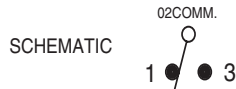


MODELS In inches (and millimeters)

SPDT

MODEL NO.	SWITCH POSITION		
SP1	ON	NONE	ON
SP2	ON	NONE (ON)	
SP3	ON	OFF	ON
SP4	(ON)	OFF	(ON)
SP5	ON	OFF (ON)	
TERM. COMM.	2-3	OPEN	2-1

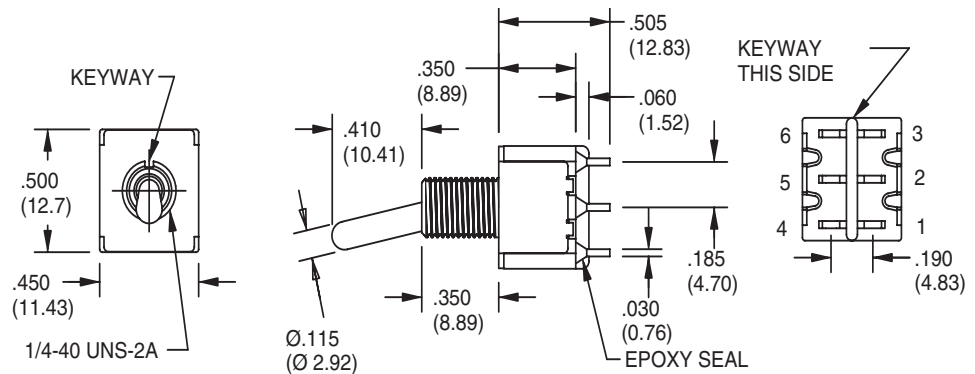
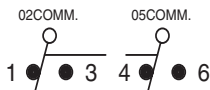
()=MOMENTARY



DPDT

MODEL NO.	SWITCH POSITION		
DP1	ON	NONE	ON
DP2	ON	NONE (ON)	
DP3	ON	OFF	ON
DP4	(ON)	OFF	(ON)
DP5	ON	OFF (ON)	
TERM. COMM.	2-3, 5-6	OPEN	2-1, 5-4

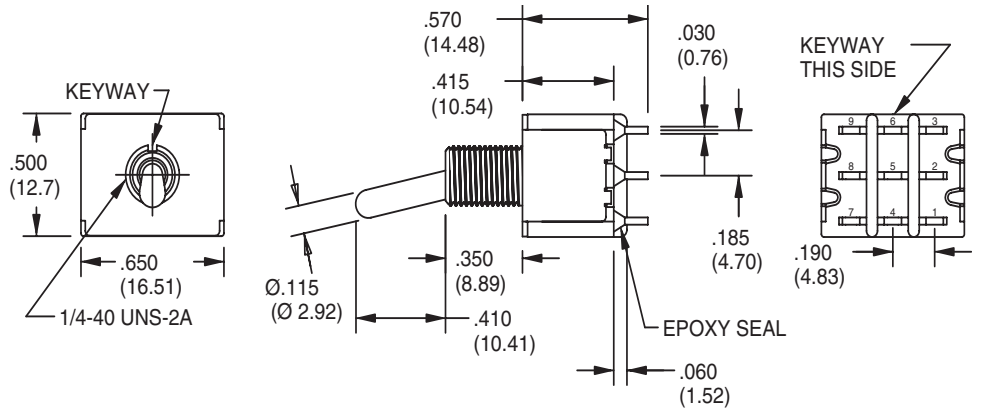
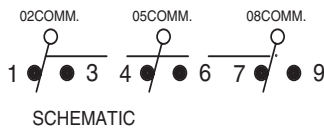
()=MOMENTARY



3PDT

MODEL NO.	SWITCH POSITION		
3P1	ON	NONE	ON
3P2	ON	NONE (ON)	
3P3	ON	OFF	ON
3P4	(ON)	OFF	(ON)
3P5	ON	OFF (ON)	
TERM. COMM.	2-3,5-6, 8-9	OPEN	2-1,5-4, 8-7

()=MOMENTARY



Toggle Switches

MODELS In inches (and millimeters)

4PDT

MODEL NO.	SWITCH POSITION		
4P1	ON	NONE	ON
4P2	ON	NONE	(ON)
4P3	ON	OFF	ON
4P4	(ON)	OFF	(ON)
4P5	ON	OFF	(ON)
TERM. COMM.	2-3,5-6 8-9,11-12	OPEN	2-1,5-4 8-7,11-10

()=MOMENTARY

SCALE:1.5:1

KEYWAY THIS SIDE

02COMM. 05COMM. 08COMM. 011COMM.

SCHEMATIC

ACTUATOR OPTIONS In inches (and millimeters)

1 Std	2	3	4	5
6	7	8	9 Nylon Black	L THD. (STD.) N NON-THD
Use with Bushing Options T1, T2, T5 and T6 only.	Use T7 Bushing Option only.	Use T7 Bushing Option only.		

Actuators 1-5 shown with standard B1 bushing. Add .070 (1.78) for B3, subtract .020 (0.51) for B6 bushing.

BUSHING OPTIONS In inches (and millimeters)

<p>B1 Thd (Std) B2 Non-Thd</p>	<p>B3 Thd B4 Non-Thd</p>	<p>B5 High Torque</p>	<p>B6 High Torque</p>	
<p>B7 Long</p>	<p>B8 Metric</p>	<p>B9 Splash-Proof</p>		
<p>T1</p>	<p>T2</p>	<p>T5</p>	<p>T6</p>	<p>T7</p>

Toggle Switches

PANEL MOUNTING In inches (and millimeters)

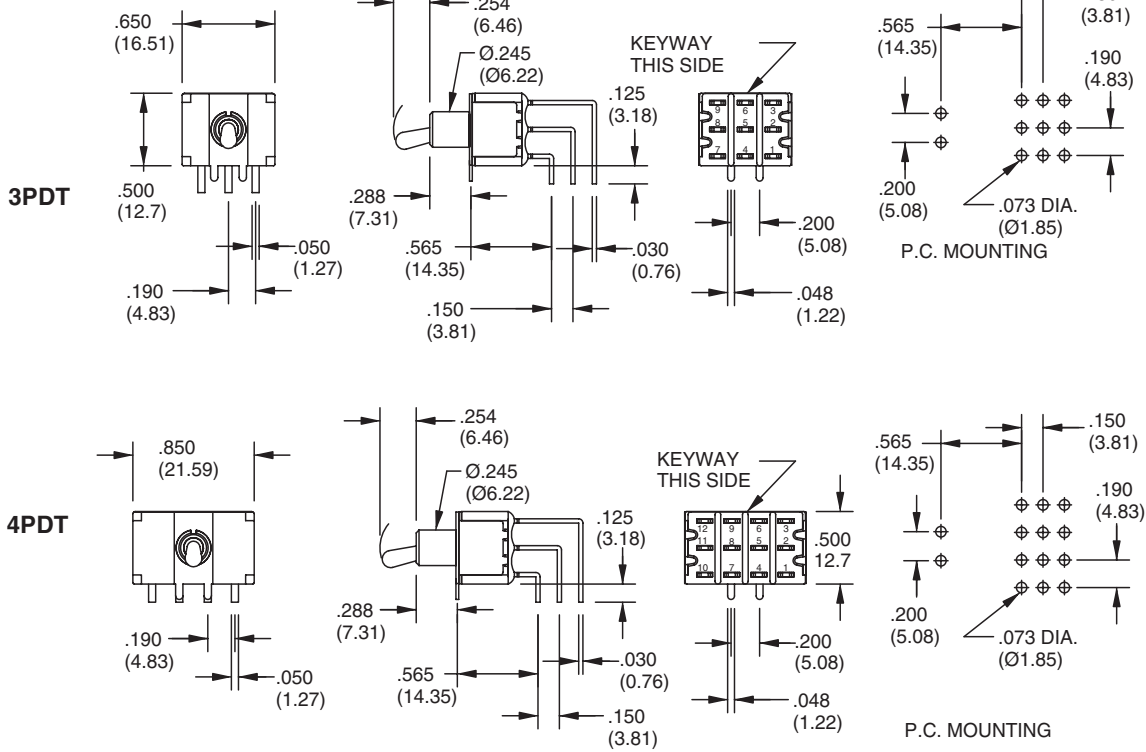
<p>1/4" BUSHING</p>			
<p>15/32" BUSHING</p>			
<p>METRIC BUSHING</p>			

TERMINATION OPTIONS In inches (and millimeters)

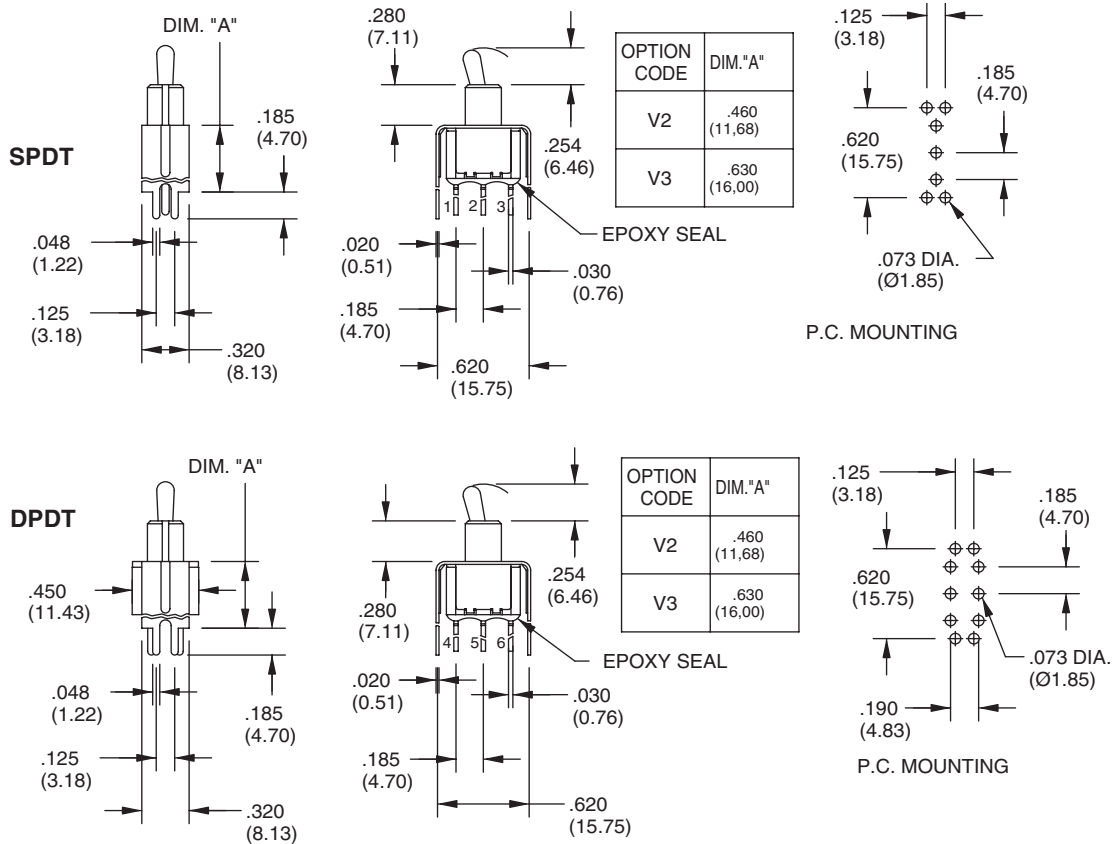
<p>M1 Solder Lug (Std)</p> <p>.078 (1.98) .156 (3.96) .047 (1.19) .080 (2.03) THK. .030 (0.76)</p>	<p>M2 P.C. Mount</p> <p>.189 (4.80) .250 (6.36) .050 (1.27) THK. .030 (0.76)</p>	<p>M3 P.C. Mount, Quick Connect</p> <p>EPOXY SEAL .189 (4.80) .250 (6.35) .062 (1.57) .030 (0.76) THK.</p>	<p>WX</p> <p>DIM."A" .075 1.91 .050 1.27</p> <table border="1"> <thead> <tr> <th>OPTION CODE</th> <th>DIM."A"</th> </tr> </thead> <tbody> <tr> <td>W1</td> <td>.750(19.05)</td> </tr> <tr> <td>W2</td> <td>.964(24.48)</td> </tr> <tr> <td>W3</td> <td>.425(10.80)</td> </tr> <tr> <td>W4</td> <td>1.062(26.97)</td> </tr> </tbody> </table> <p>WIRE WRAP</p>	OPTION CODE	DIM."A"	W1	.750(19.05)	W2	.964(24.48)	W3	.425(10.80)	W4	1.062(26.97)
OPTION CODE	DIM."A"												
W1	.750(19.05)												
W2	.964(24.48)												
W3	.425(10.80)												
W4	1.062(26.97)												
<p>M6 Right Angle P.C. Mount, Horizontal Actuation</p> <p>SPDT .500 (12.7) .125 (3.17) .106 (2.69) .030 (0.76)</p> <p>DPDT .500 (12.7) .126 (3.17) .106 (2.69) .030 (0.76)</p> <p>Ø.245 (Ø6.22) Ø.105 (Ø2.67) .254 (6.46) .288 (7.31) .500 (12.7) .050 (1.27) .185 (4.70) KEYWAY THIS SIDE</p> <p>Ø.073 (Ø1.85) .200 (5.08) .185 (4.69) .500 (12.7) P.C. MOUNTING</p>													
<p>M7 Right Angle P.C. Mount, Vertical Actuation</p> <p>SPDT .500 (12.7) .270 (6.86) .050 (1.27)</p> <p>DPDT .450 (11.43) .125 (3.17) .500 (12.7) .050 (1.27) .190 (4.83)</p> <p>Ø.245 (Ø6.22) .254 (6.46) .288 (7.31) .500 (12.7) .125 (3.18) .030 (0.76) .150 (3.81) .048 (1.22) .200 (5.08) KEYWAY THIS SIDE</p> <p>.500 (12.7) .150 (3.81) .200 (5.08) .073 DIA. (Ø1.85) P.C. MOUNTING</p>													

TERMINATION OPTIONS In inches (and millimeters)

M7 Right Angle P.C. Mount, Vertical Actuation



V2-V3 Vertical Bracket P.C. Mount



Toggle Switches

SPECIFICATIONS

RATINGS

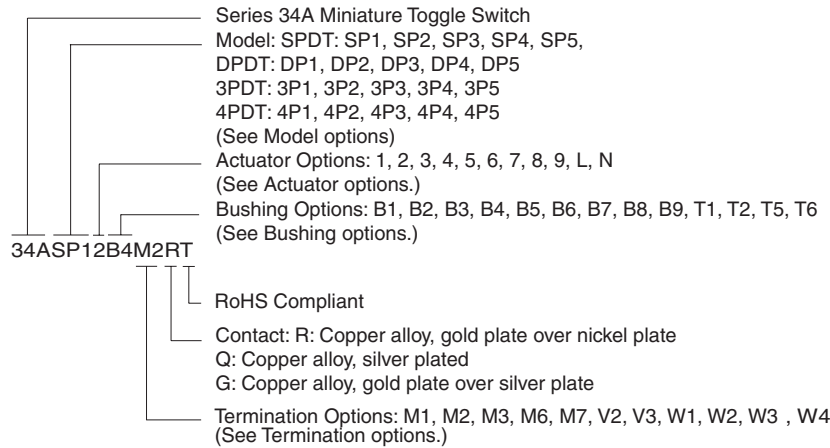
Contact Rating: Q option - 5A with resistive load @ 125VAC or 28 VDC; 2A with resistive load @ 250 VAC. R option-0.4 VA max @ 20 Vmax (AC or DC)
 Electrical Life: 40,000 make-and-break cycles at full load

Contact Resistance: 10 milliohms max. initial @ 2-4 VDC, 100 mA for both gold & silver contacts
 Insulation Resistance: 1,000 megaohms minimum
 Dielectric Strength: 1,000 V RMS @ sea level
 Operating Temperature: -30°C to 85°C
 UL Recognition: File number is E35289

MATERIALS

Case: Diallyl phthalate (DAP) (UL94V-0)
 Toggle Handle: Brass, chrome-plated
 Bushing: Brass, nickle-plated
 Housing: Stainless steel

ORDERING INFORMATION



Available from your local Grayhill Component Distributor. For prices and discounts, contact a local Sales Office, an authorized local Distributor or Grayhill.

HARDWARE In inches (and millimeters)

