

**Tab Connectors for Printed Circuit Boards**

**TYPE 900-S- /-SH- /-SUB- /-SUC- /-SUN- /-W- 7.5**

7.5 mm spacing



Series	Download PDF	3D Model	Can plug with	How to order	Color specifications	Print
--------	--------------	----------	---------------	--------------	----------------------	-------



RoHS  
WEEE

RoHS WEEE Pb free compliant

**Description**

- tab connector

**Technical Data**

**Center to Center Spacing:** 7.5 mm (0.295 in.)

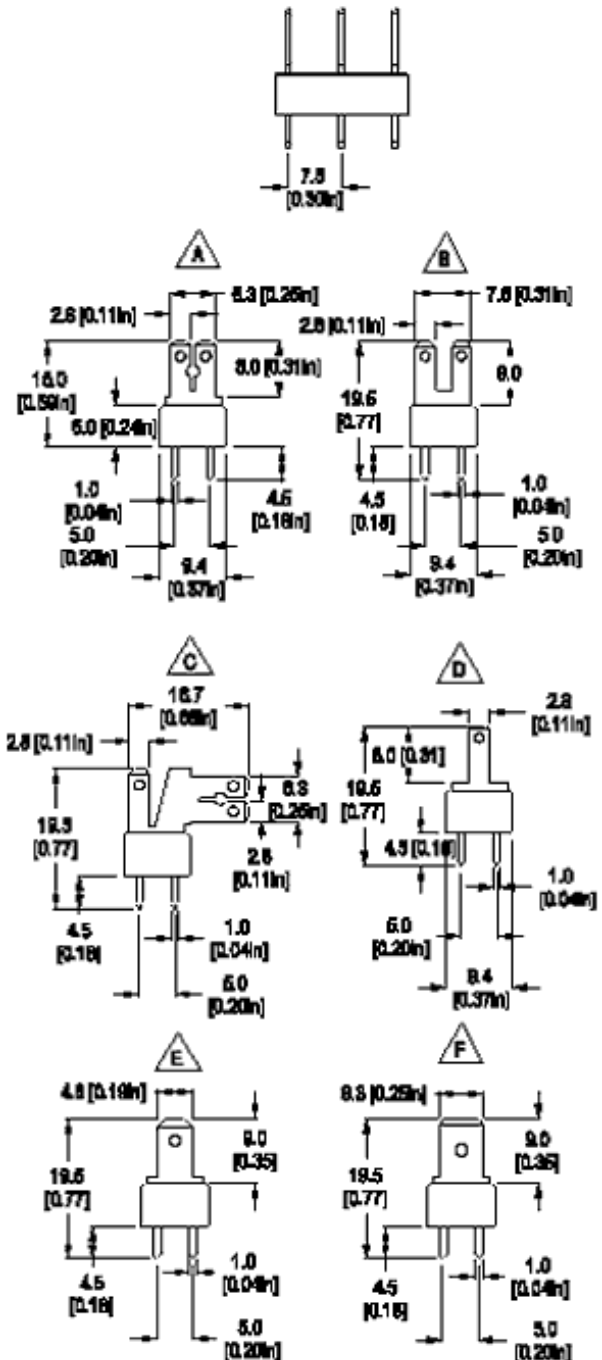
**Nominal Cross Section:**

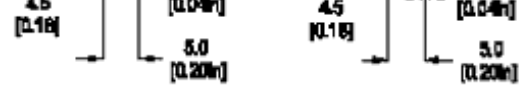
with tab 2.8 mm: 1.0 mm<sup>2</sup> (1550 mils<sup>2</sup>) with tab 4.8 mm and 6.3 mm: 2.5 mm<sup>2</sup> (3874 mils<sup>2</sup>)

with tab 2.8 mm: 1.0 mm<sup>2</sup> (1550 mils<sup>2</sup>) with tab 4.8 mm and 6.3 mm: 2.5 mm<sup>2</sup> (3874 mils<sup>2</sup>)

**Recommended Hole Diameter in PC Board:**

1.3 mm (0.051 in.)





**Dimensions: mm (in.)**

Length of Connector (L)

$$L = (\text{Number of Poles} - 1) \times \text{Center to Center Spacing} + 3.5 \text{ mm}$$

- 7.5 mm spacing
- (A) Version S
- (B) Version SH
- (C) Version W
- (D) Version SUB
- (E) Version SUC
- (F) Version SUN

**When locating connector, allow 0.5 mm clearance around it for process-induced variations.**

**Approval Information**

UL File No.E69841

CSA File No.LR24322



Rating	Current(A)	Voltage(V)	Application group	AWG
UL	15	300	B,C	
CSA	15	300	B,D,E	

\* UL: AWG depends on the tab size.  
2.8 mm tab is rated 6A

**Material**

**Molding:** Polyamide, UL 94, V-2, color grey or red

**Temperature limits:**

**Short Time:** 140°C (284°F)

**Continuous:** RTI 105°C (221°F)

**Low Limit:** -40°C (-40°F)

**Comparative Tracking Index:** CTI > 600

**Oxygen Index Rating:** 25%

**Molding:** Polyamide, self extinguishing UL 94, V-0, color white or black

**Temperature limits:**

**Short Time:** 140°C (284°F)

**Continuous:** RTI 105°C (221°F)

**Low Limit:** -40°C (-40°F)

**Comparative Tracking Index:** CTI > 600

**Oxygen Index Rating:** 25%

**Tab and Solder Pin:** Tin plated copper alloy

**Tab:** 2.8 x 0.8 mm (0.11 x 0.03 in.), or 6.3 x 0.8 mm (0.25 x 0.03 in.),

**Solder Pin:** 1.0 x 0.8 mm (0.04 x 0.03 in.),

▲  
Top of page

**How to order**

**Item** 900-S- /-SH- /-SUB- /-SUC- /-SUN- /-W- 7.5

**Options**

- CN: Consecutive Numbering (hot stamped numbers)
- SM: Special Marking (please provide sketch)
- G05: Gold Plating (5 micro inches)
- G30: Gold Plating (30 micro inches)
- S30: Silver Plating (30 micro inches)
- BA: Black Molding
- RD: Red Molding
- WE: White molding instead of black

**Note:** Plated component: tab

**Ordering Note:** Mixed Tab Arrangements and alternate center to center spacings may also be ordered. Please consult factory.

900-	VERSION:	POLES:
	S, SH, SUB, SUC, SUN, W	02 to 17
	-7.5 /	

**Request sample**

**Request quote**

Quantity

**Accessories**

- [BST Self Adhesive Marking Strips.](#)
- [Consecutively numbered.](#)
- [ISO Insulating Sleeves.](#)
- [Insulation Sockets ISO-900.](#)

[Add to shopping cart](#)