

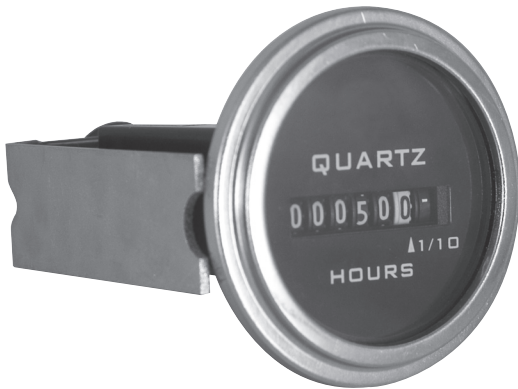
Item # 732-0013 VDC, Round Cup Mount

VDC, Round Cup Mount

The Redington Model 732 provides a DC Hour Meter with an operating range of 10-80VDC. Models are protected for two times battery voltage and/or reverse polarity. Models are available in the standard industry housings. Its quartz time base insures accurate long-term time keeping. The Totally Sealed case protects against the environment and provides years of reliable service. All applicable models are NEMA 4X, 12 rated when mounted with optional gasket.

Specifications

Model No.	732
Mounting	Round Cup
Reset	Non-reset
Termination	1/4 inch (6.3mm) spade terminals
Display	6 - digits, 0.125 inch (3.2mm) 99999.9 Hours - white on black Tenths - red on white
Display Height	0.125 Inch
Display Height	3.2 mm
No. of Digits	6
Records	99999.9 hours
Accuracy	± 0.02 over entire range
Input Voltage	10-80 VDC
Power	0.3 watts at 12VDC
Operating Temperature	-40 to +185 °F
Operating Temperature	-40 to +85 °C
Case Material	Black Polymer
Weight	2 oz
Weight	57 gm
Approvals	UL/CSA Recognized, CE Compliant
Environmental Protection	Totally sealed
Vibration	10-75 Hz
Stock Availability	Yes



Description

The Redington Model 732 provides a DC Hour Meter with an operating range of 10-80VDC. Models are protected for 2 times battery voltage and/or reverse polarity. Models are available in the standard industry housings, 3-Hole Round, Flush-Rectangular, Flush-Round and 2-Hole Rectangular. A Stirrup and Cup mount are available for applications where high shock and vibration exist. Its quartz time base insures accurate long-term time keeping. The Totally Sealed case protects against the environment and provides years of reliable service. Most models are NEMA 4X, 12 rated when mounted with optional gasket.

Features

- Operating voltage 10-80VDC
- Totally Sealed
- UL/cUL Recognized, CE & RoHS Compliant
- 6 Figure, 99999.9
- Quartz accuracy
- 6 mounting variations

Options

- Wire leads
- Gasket kit (for NEMA 4X, 12 rating)
- Custom Lens
- Terminals up, down, straight



Specifications

Figures: 6 - digits, 0.14" [3.6mm] 99999.9
 Hours and running indicator - white on black
 Decimal - black on white

Reset: Non-reset

Voltage: 10-80VDC

Power: 1 watt max.

Mounting: Clip, mounting holes, Cup, or Stirrup

Termination: ¼" [6.3mm] spade terminals

Weight: ~2.0 oz [57 g]

Accuracy: ± 0.02% over entire range

Bezel: Stirrup and Cup mount have metallic bezels

Case Material: Black polymer

Lens Material: Cup & Stirrup - glass
 All other models - polymer

Transient Protection: ± 6 times normal for 300msec

Agency Approvals: UL/cUL Recognized, CE, SAE, & RoHS Compliant. All models are NEMA 4X, 12 Compliant except the Cup and Stirrup mount

Overvoltage & Reverse Polarity: Protected for 2 times battery voltage and/or reverse polarity

Environmental: Totally Sealed

Front Panel: NEMA 4X, 12 rated with optional gasket

Temperature: -40°F to +185°F [-40°C to + 85°C]

Humidity: 95% (SAE J1378)

Shock: 55g @ 9 - 13msec (SAE J1378)

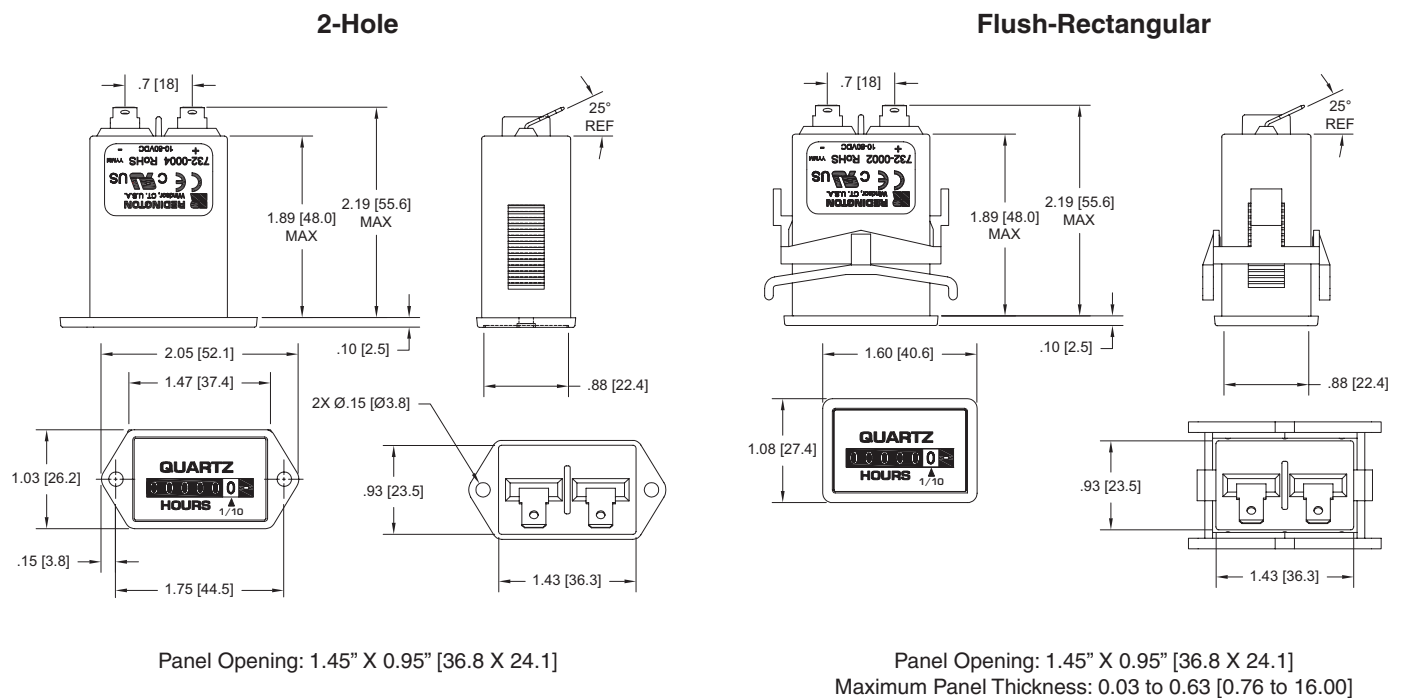
Vibration: 10-80Hz. 20g max. (SAE J1378)

Models Description

732-0001	3-Hole Round, 10-80VDC, ¼" [6.3mm] spade terminals, hours & 1/10's
732-0002	Flush-Rectangular, 10-80VDC, ¼" [6.3mm] spade terminals, hours & 1/10's
732-0003	Flush-Round, 10-80VDC, ¼" [6.3mm] spade terminals, hours & 1/10's
732-0004	2-Hole Rectangular, 10-80VDC, ¼" [6.3mm] spade terminals, hours & 1/10's
732-0013	Panel mt, Round, Cup, stainless steel bezel, 10-80VDC, ¼" [6.3mm] spade terminals, hours & 1/10's
732-0014	Panel mt, Round, Cup, black metallic bezel, 10-80VDC, ¼" [6.3mm] spade terminals, hours & 1/10's
732-0023	Panel mt, Round, Stirrup, stainless steel bezel, 10-80VDC, ¼" [6.3mm] spade terminals, hours & 1/10's
732-0024	Panel mt, Round, Stirrup, black metallic bezel, 10-80VDC, ¼" [6.3mm] spade terminals, hours & 1/10's
5003-008	NEMA 4X, 12 Gasket for Models 732-0003
5003-009	NEMA 4X, 12 Gasket for Model 732-0002
5003-010	NEMA 4X, 12 Gasket for Model 732-0004
5003-011	NEMA 4X, 12 Gasket for Model 732-0001

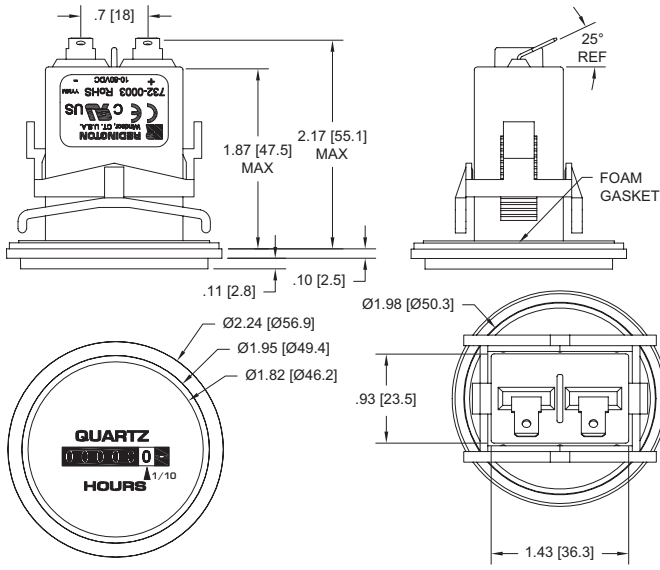
* All items are normally in factory stock.

Dimensions



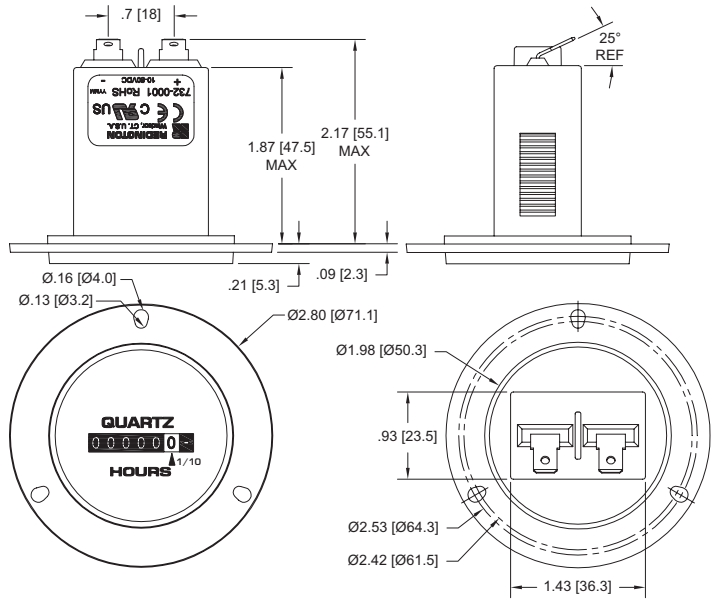


Flush-Round



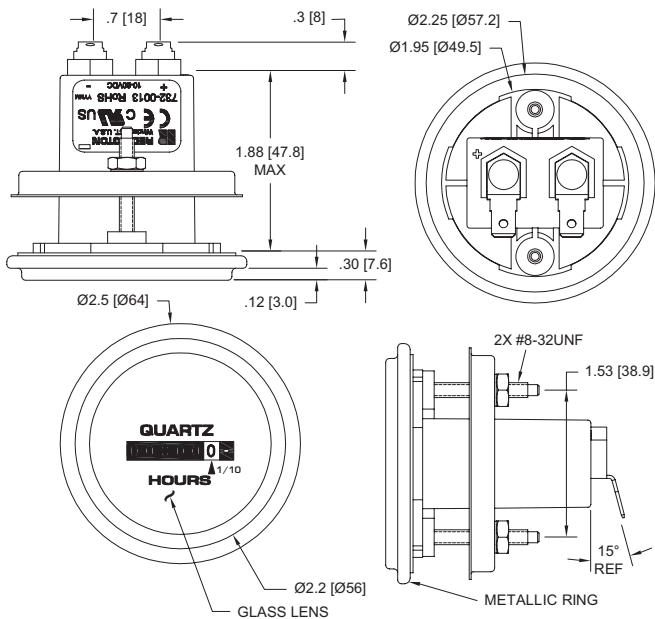
Panel Opening: 2.0" [50.6]
Maximum Panel Thickness: 0.40 [10.2]

3-Hole Round



Panel Opening: 2.0" [50.6]

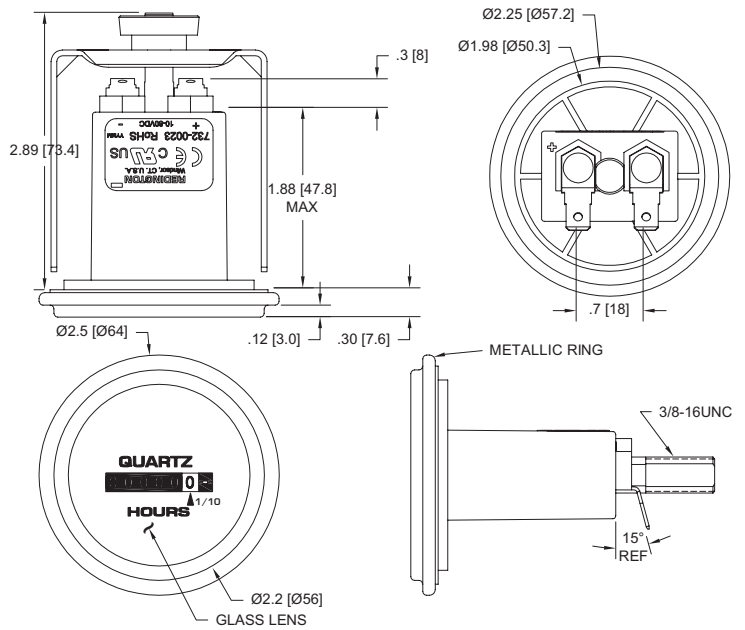
Cup



NOTE: SUPPLIED WITH MOUNTING HARDWARE

Panel Opening: 2.0" [50.6]

Stirrup



NOTE: SUPPLIED WITH MOUNTING HARDWARE

Panel Opening: 2.0" [50.6]

Applications

Material Handling



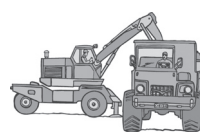
Farm Equipment



Outdoor Power Equipment



Construction Equipment



Utility Vehicles

