



Features

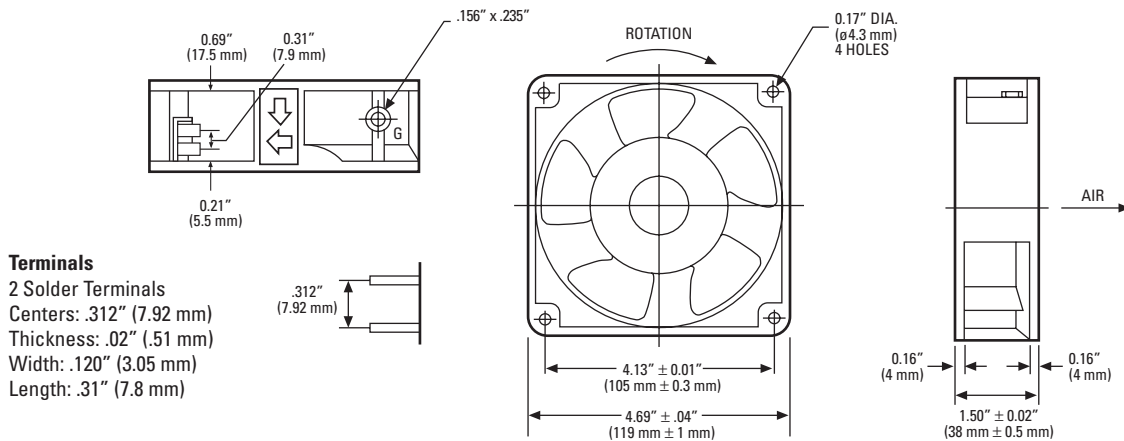
- Reliable shaded-pole motor construction
- Precision ball bearing system provides:
 - Longer life
 - Higher temperature extremes
 - Lower noise over time
 - Maximum shock and vibration resistance
- Rugged die-cast aluminum housing for maximum heat dissipation

Accessories:

- Finger guards
- Power cords
- Filters

General Specifications

- Frame:** Die-cast aluminum painted black for moisture and corrosion resistance
- Impeller:** Reinforced polybutylene plastic (UL94V-0 rating)
- Bearings:** Precision, life-lubricated ball bearings
- Insulation:** Class A integral ground system rated @ 248°F (120°C)
- Weight:** 19.4 ozs. (550 grams)
- Operating Temperature Range:** 14° to 158°F (-10° to 70°C)
- Insulation Resistance:** 100 megohms minimum @ 500 VDC
- Dielectric Strength:** 1500 VAC for 3 seconds
- Safety Protection:** Impedance protected
- Life Expectancy:** 75,000 hours minimum @ 77°F (25°C)

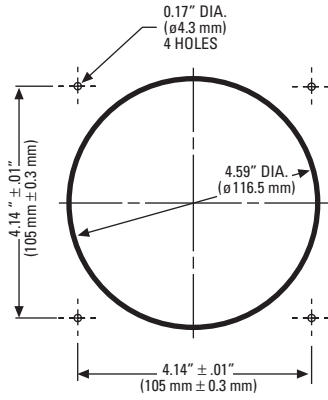


Terminals
2 Solder Terminals
Centers: .312" (7.92 mm)
Thickness: .02" (.51 mm)
Width: .120" (3.05 mm)
Length: .31" (7.8 mm)

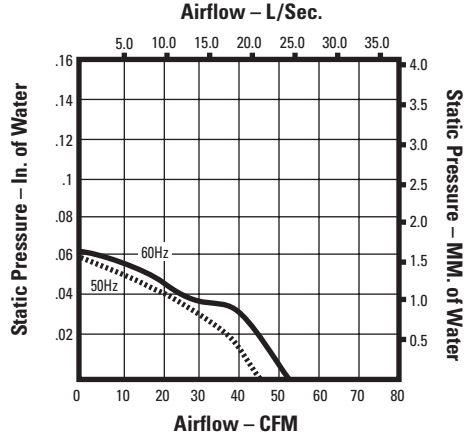
Globe Motors Part Number	Nominal Voltage VAC	Frequency Hz	Watts	Line Amps	Locked Rotor Amps	RPM	Acoustic Noise dBA	Airflow (Min.)	
								CFM	Liters per Second
A47-B15A-15T1-100*	115	50 / 60	6.0 / 5.5	0.090 / 0.080	0.095 / 0.085	1350 / 1450	27 / 28	46 / 49	21.7 / 23.3
A47-B15A-15T2-100	115	50 / 60	11.0 / 10.0	0.160 / 0.140	0.200 / 0.170	2400 / 2600	34 / 37	81 / 88	31.7 / 33.3
A47-B15A-15T3-100	115	50 / 60	15.5 / 14.5	0.250 / 0.210	0.320 / 0.270	2600 / 2900	37 / 41	88 / 102	41.5 / 48.1
A47-B15A-23T1-100*	230	50 / 60	6.5 / 6.0	0.020 / 0.045	0.055 / 0.050	1350 / 1450	27 / 28	46 / 49	31.7 / 33.3
A47-B15A-23T2-100	230	50 / 60	12.0 / 11.0	0.100 / 0.080	0.120 / 0.110	2400 / 2600	34 / 37	81 / 88	38.3 / 41.7
A47-B15A-23T3-100	230	50 / 60	15.0 / 14.0	0.120 / 0.100	0.160 / 0.140	2600 / 2900	37 / 41	88 / 102	41.5 / 48.1

* Not CSA Approved

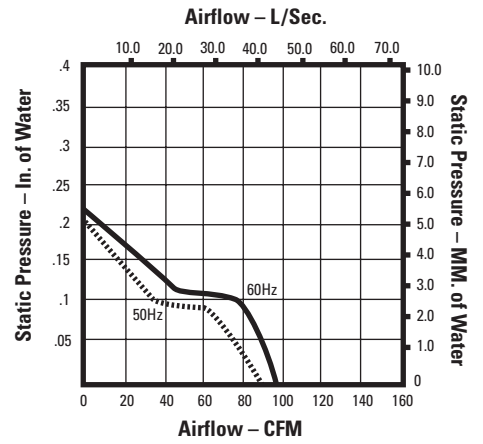
Installation Guide



Performance at Sea Level



A47-B15A-15T1-100*



A47-B15A-15T2-100

Approvals



**UL File No.
E105397**



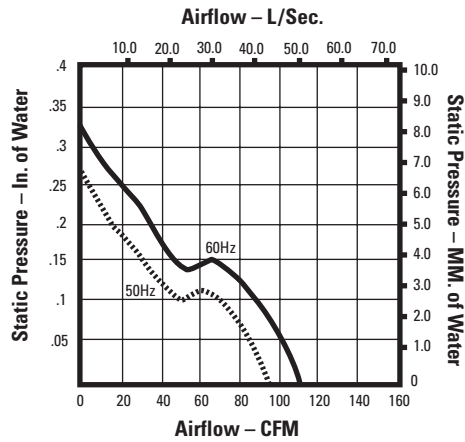
**CSA File No.
72877**



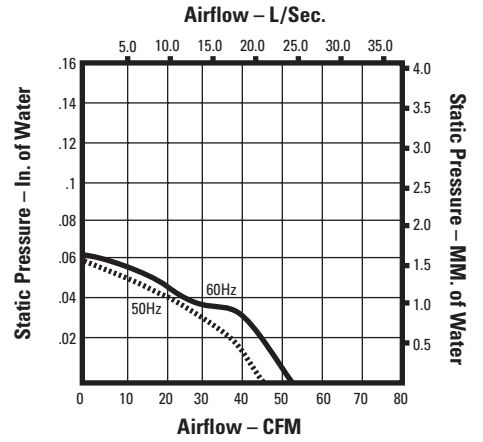
**VDE File No.
17074-2611-0703**



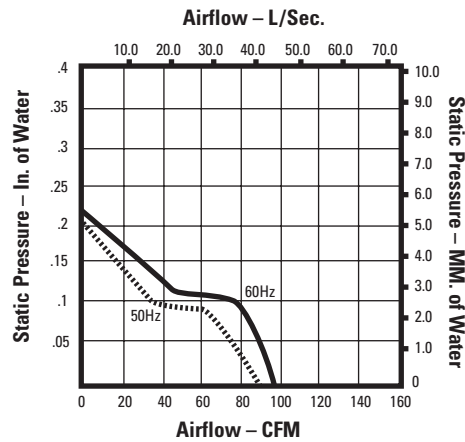
NOTES:



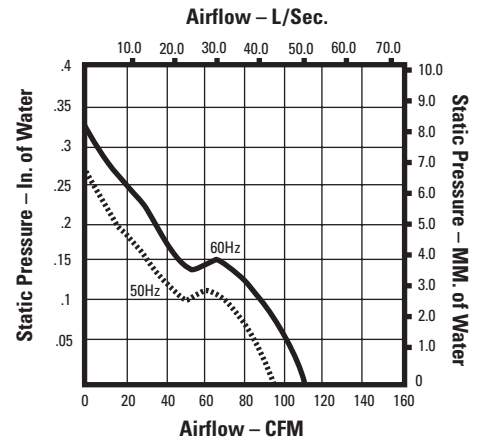
A47-B15A-15T3-100



A47-B15A-23T1-100*



A47-B15A-23T2-100



A47-B15A-23T3-100

All operating specifications measured at nominal operating voltage, free air at sea level