

Enhanced 50 Series™ Photoelectric Sensors

Contents

Overview	5-8
Model Selection, Sensors	5-9
Model Selection, Compatible Connector Cables	5-14
Model Selection, Fiber Optic Cables	5-15
Model Selection, Accessories ...	5-19
Wiring Diagrams	5-20
Specifications	5-20
Dimensions	5-21

The new Enhanced versions of the Cutler-Hammer® 50 Series™ Photoelectric Sensors from Eaton's electrical business offer flexibility, durability and high optical performance in a cost-effective self-contained package. Choose from three output types, four time delay functions, six sensing modes and four connection styles to tailor the sensor to exactly meet your needs.

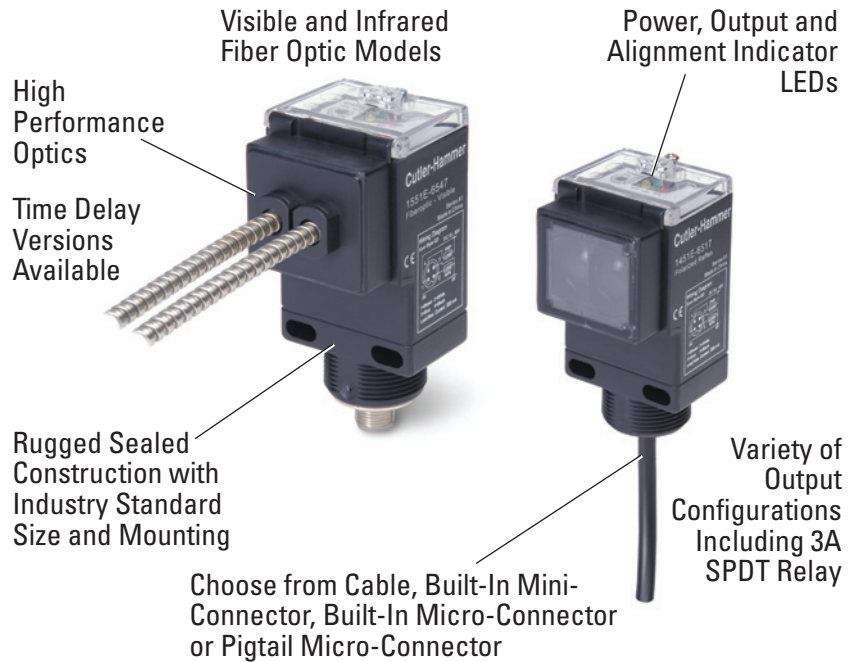
Sensors are available in thru-beam, reflex, polarized reflex, diffuse reflective, clear object, and fiber optic sensing modes. Brackets are available for easy mounting and to allow precise adjustment of sensor alignment.

Approvals

- CSA Approved
- Certified to UL Standard, UL 508



High Performance Sensors for Demanding Applications



Product Features

- High optical performance models including a 500-foot (152m) Thru-Beam and a 10-foot (3m) Diffuse Reflective unit
- Output options include a 3 Amp SPDT relay
- All units offer light/dark selection
- Logic options include ON-delay, OFF-delay and One-Shot delay
- Fiber optic sensors operate in thru-beam or diffuse reflective mode depending on the fiber optic cable selected
- Fully potted construction for use in areas subject to washdown, high shock and/or vibration
- Choice of pre-wired power cable, built-in mini-connector, built-in micro-connector and pigtail micro-connector versions. Standard pre-wired cable length is 6 feet (1.8m)
- Variety of brackets available including ball swivel

Connection Options



Model Selection — Sensors (Continued)

	Voltage Range	Sensing Range	Optimum Range	Sensing Beam	Output Type	Time Delay	Connection Type	Catalog Number
 <p>Clear Object Detector ①②</p> <p><i>Field of View: 0.68°</i></p> <p>For a complete system, order one Sensor and one Retroreflector (see Section 8)</p>	10 – 40V DC	45 in. (1.2m)	1 – 24 in. (25 – 610 mm)	Visible Red	NPN/PNP 250 mA	no	6-foot Cable	1452E-6517
	yes						1452E-8517	
	no					4-pin Euro (Micro) Connector	1452E-6547 ⊕	
	yes						1452E-8547 ⊕	
	no					4-pin Euro (Micro) Connector (pigtail)	1452E-6537 ⊕	
	yes						1452E-8537 ⊕	
	no					4-pin Mini-Connector	1452E-6507 ⊕	
	yes						1452E-8507 ⊕	
	Isolated Output Solid-State Relay 300 mA @ 240V AC/DC					no	6-foot Cable	1452E-6513
						yes		1452E-8513
					no	4-pin Micro Connector	1452E-6543 ⊕	
					yes		1452E-8543 ⊕	
					no	4-pin Micro Connector (pigtail)	1452E-6533 ⊕	
					yes		1452E-8533 ⊕	
					no	4-pin Mini-Connector	1452E-6503 ⊕	
					yes		1452E-8503 ⊕	
					Non-isolated Output Solid-State Relay 300 mA @ 240V AC/DC	no	4-pin Micro Connector	1452E-6545 ⊕
						yes		1452E-8545 ⊕
	SPDT EM Relay 3A @ 120V AC				no	6-foot Cable	1452E-6514	
					yes		1452E-8514	
no		5-pin Micro Connector (pigtail)	1452E-6534 ⊕					
yes			1452E-8534 ⊕					
no		5-pin Mini-Connector	1452E-6504 ⊕					
yes			1452E-8504 ⊕					
 <p>Fiber Optic Infrared ①</p> <p><i>Field of View: Depends on fiber selected</i></p> <p>For a complete system, order one Sensor and one Fiber Optic Cable (see Pages 5-15 and 5-16)</p> <p>Infrared Fiber Optic Sensors are compatible with Glass Fiber Optic Cables</p>	10 – 40V DC	Depends on fiber selected ③	Depends on fiber selected	Infrared	NPN/PNP 250 mA	no	6-foot Cable	1550E-6517
	yes						1550E-8517	
	no					4-pin Euro (Micro) Connector	1550E-6547 ⊕	
	yes						1550E-8547 ⊕	
	no					4-pin Euro (Micro) Connector (pigtail)	1550E-6537 ⊕	
	yes						1550E-8537 ⊕	
	no					4-pin Mini-Connector	1550E-6507 ⊕	
	yes						1550E-8507 ⊕	
	Isolated Output Solid-State Relay 300 mA @ 240V AC/DC					no	6-foot Cable	1550E-6513
						yes		1550E-8513
					no	4-pin Micro Connector	1550E-6543 ⊕	
					yes		1550E-8543 ⊕	
					no	4-pin Micro Connector (pigtail)	1550E-6533 ⊕	
					yes		1550E-8533 ⊕	
					no	4-pin Mini-Connector	1550E-6503 ⊕	
					yes		1550E-8503 ⊕	
					Non-isolated Output Solid-State Relay 300 mA @ 240V AC/DC	no	4-pin Micro Connector	1550E-6545 ⊕
						yes		1550E-8545 ⊕
	SPDT EM Relay 3A @ 120V AC				no	6-foot Cable	1550E-6514	
					yes		1550E-8514	
no		5-pin Micro Connector (pigtail)	1550E-6534 ⊕					
yes			1550E-8534 ⊕					
no		5-pin Mini-Connector	1550E-6504 ⊕					
yes			1550E-8504 ⊕					

① For brackets compatible with these sensors, see Accessories on **Page 5-19**.

② Contact Eaton's Cutler-Hammer Sensors Applications Support at 800-426-9184 for information on availability of these models.

③ Diffuse mode — up to 6 inches (152 mm); Thru-beam — up to 35 inches (890 mm).

⊕ ⊕ See listing of compatible connector cables on **Page 5-14** and **Pages 5-15** and **5-16**.

□ Fast turn product with typical one business day lead-time to shipment.

■ Stocked product, typical order quantities guaranteed in stock.

Wiring Diagrams (Pin numbers are for reference only, rely on pin location when wiring)

Operating Voltage	Models	Cable Models	Mini-Connector Models (Face View Male Shown)	Micro-Connector Models (Face View Male Shown)
10 – 40V DC	Thru-Beam Source			
	All others			
12 – 240V DC or 24 – 240V AC	Thru-Beam Source			
	All others with Isolated AC/DC Output			
	All others with Non-isolated AC/DC Output	—	—	
12 – 240V DC or 24 – 240V AC	Thru-Beam Source			
	All others			

- ① Connect load to appropriate output for either sinking or sourcing operation.
- ② Connecting the Test input to 0V DC allows you to switch the light source off for troubleshooting while leaving the sensor under power.
- ③ Over current protection is to be provided in the field. Conductor size for 20 AWG: 5 amp; 22 AWG: 3 amp; 24 AWG: 2 amp.

Specifications

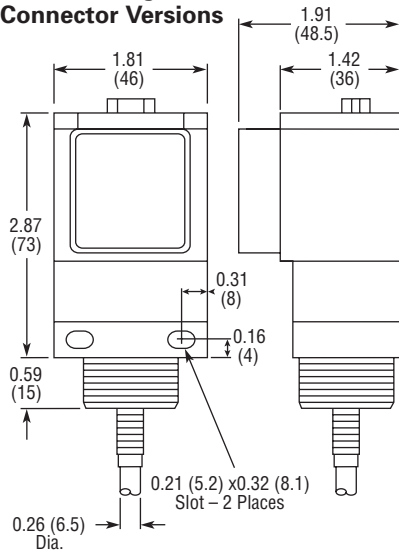
	AC/DC EM Relay Models	AC/DC Solid-State Relay Models	DC Only Standard Range Models	DC Only Extended Range Models
Input Voltage	12 – 240V DC 24 – 240V AC			10 – 40V DC
Light/Dark Operation	Switch selectable			
Operating Temperature	-13 – 131°F (-25 – 55°C)			
Humidity	95% Relative humidity, non-condensing			
Case Material	Fiberglass reinforced plastic			
Lens Material	Acrylic			

Specifications (Continued)

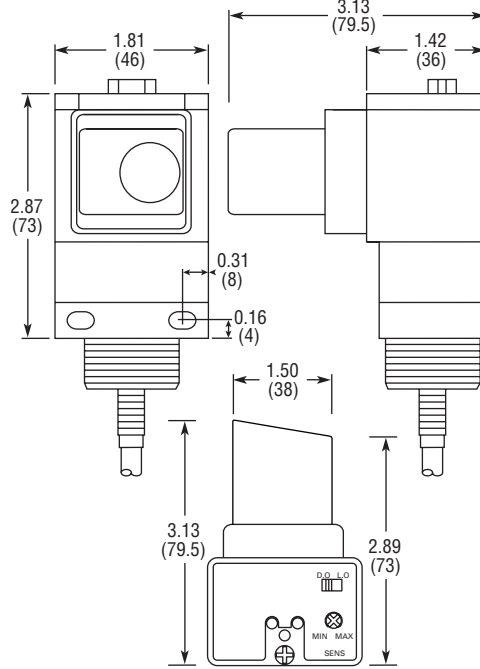
	AC/DC EM Relay Models	AC/DC Solid-State Relay Models	DC Only Standard Range Models	DC Only Extended Range Models
Vibration	IEC 60947-5-2 part 7.4.2			
Shock	IEC 60947-5-2 part 7.4.1			
Protection	Output short circuit and overcurrent protection Reverse polarity protection			
Enclosure Ratings	IP67			
Output Load	3A @ 120V AC 3A @ 240V AC 3A @ 28V AC	300 mA @ 240V AC/ DC	250 mA @ 40V DC	
Response Time	15 mS	2 mS		
Timer Timing Response	0 – 15 sec.			
No Load Current	<30 mA			
Leakage Current (max.)	—	1 mA @ 240V AC	<10 µA	
Indicator LEDs	Green: Output; Yellow: Power; Red: Alignment			
Emitter LED	Diffuse, Infrared Fiber Optic, Thru-Beam Models: Infrared 880 nm Reflex, Polarized Reflex, Clear Object, Visible Fiber Optic Units: Visible Red 660 nm			

Approximate Dimensions in Inches (mm)

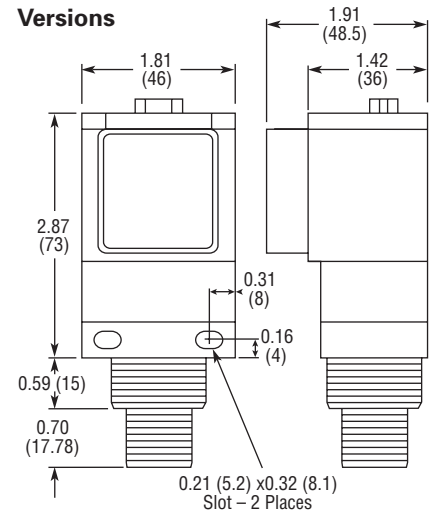
Cable and Pigtail
Connector Versions



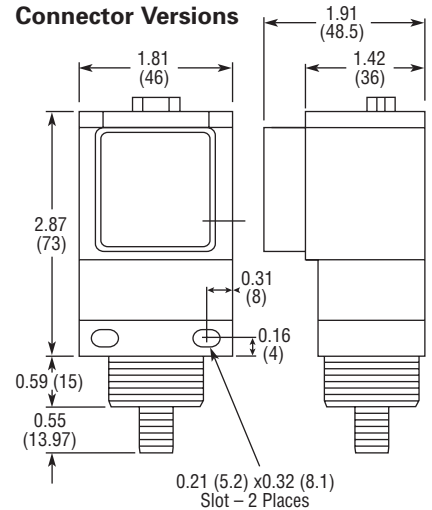
Clear Object Versions



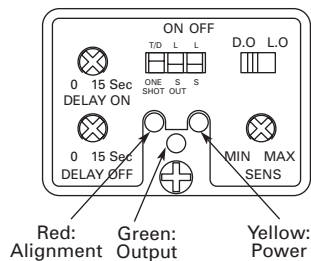
Mini-Connector
Versions



AC/DC Micro or
Euro (Micro)
Connector Versions



Top View with Timing



Top View without Timing

