

ELC Accessories

Table 34.1-16. ELC Accessories

Description	Catalog Number
24 Watt, 1 Amp Power Supply	ELC-PS01
48 Watt, 2 Amp Power Supply	ELC-PS02
Hand-Held Programmer (Includes ELC-CBHHELC15)	ELC-HHP
Cable to Connect a PC or a GP Unit to ELC, 3 Meters (DB9 Pin Female to 8 Pin DIN)	ELC-CBPCELC3
Cable to Connect a PC to a GP Unit, 3 Meters (DB9 Pin Female to DB9 Pin Female)	ELC-CBP3GP3
Program Transfer Module for GP Units	ELC-GPXFERMOD
Program Transfer Module for ELC Controllers	ELC-ACPGMXFR
Plate Mount for Specialty Modules, Qty. 10	ELC-ACCOVER
ELC Starter Kit (Includes ELC-PA10AADT, ELC-PS01, ELC-GP04, ELC-CBPCELC3, ELC-CBP3GP3, ELCSOFT, ELCSOFT GP)	ELCSTARTKIT1

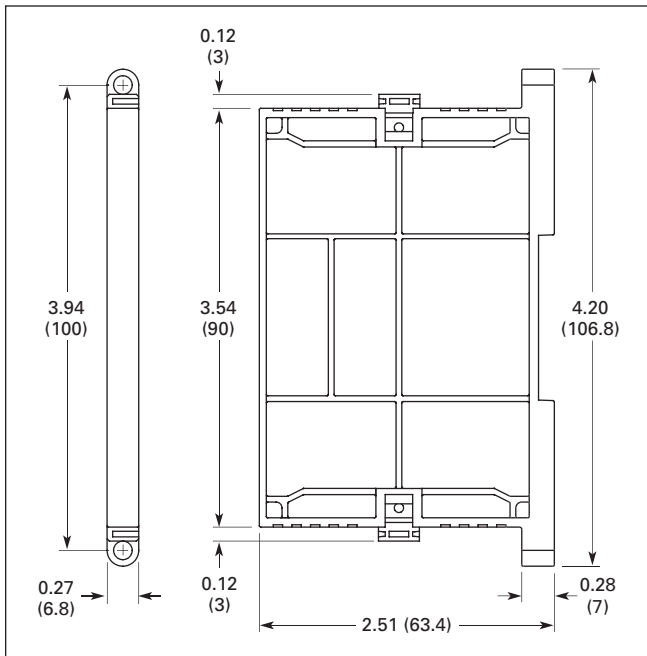


Figure 34.1-17. Plate Mount for Specialty Modules