

Line No.	Part Number	Category	Base Type	Design Volts	Design Amps	MSCD	Filament Type	Rated Life	Fig No.	Foot Notes
1	2741		W2x4.6d	24	0.05	0.48	C-2V	1,000	39	
2	2741MF		B8.5d	24	0.05	0.6	C-2V	1,000	41	
3	2741MFX		BX8.5d	24	0.05	0.6	C-2V	1,000	41	

Application Notes

Board Size	Electrical Connection
MF Base 2.0mm (0.079")	Inside of Board
MFX Base 1.6mm (0.062")	Inside of Board
MF8 Base 1.35mm (0.053")	Outside of Board

OSRAM miniwatt lamps for printed circuit boards (the MF Series) are designed to work on both inside and outside contact boards and various thickness boards. In order to assure proper electrical contact, be sure to check the thickness of the board and the location of the electrical contacts.

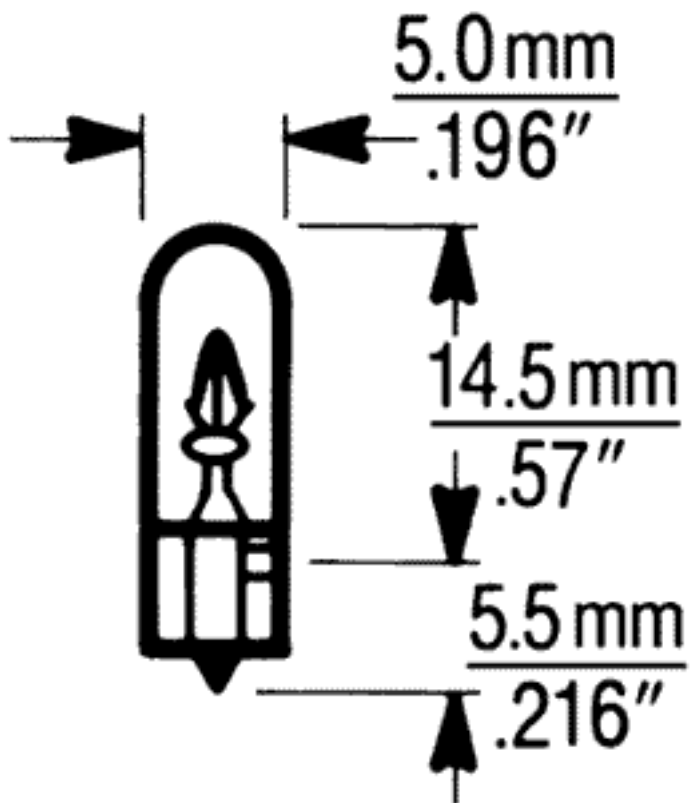


Fig. 39