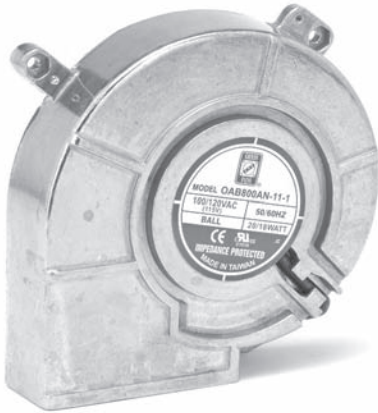


AC BLOWERS



OAB800AN

FRAME

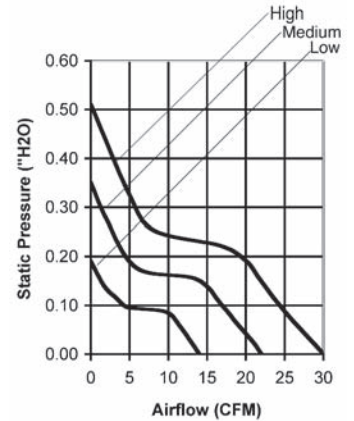
Diecast Aluminum

IMPELLER

Glass reinforced PBT, UL94V-0

POWER CONNECTION

Two lead wires 300mm (12")



MODEL NUMBER	SPEED (RPM)	AIRFLOW (CFM)	NOISE (DB)	VOLTS AC	VOLTAGE RANGE	WATTS	MAX. STATIC PRESSURE (H ₂ O)
OAB800AN-11-1B	2800	30	48	115	80~120	18	0.51
OAB800AN-11-2B	2100	22	39	115	80~120	12	0.35
OAB800AN-11-3B	1400	14	28	115	80~120	9	0.19
OAB800AN-22-1B	2800	30	48	220	150~240	18	0.51
OAB800AN-22-2B	2100	22	39	220	150~240	12	0.35
OAB800AN-22-3B	1400	14	28	220	150~240	9	0.19

MOTOR

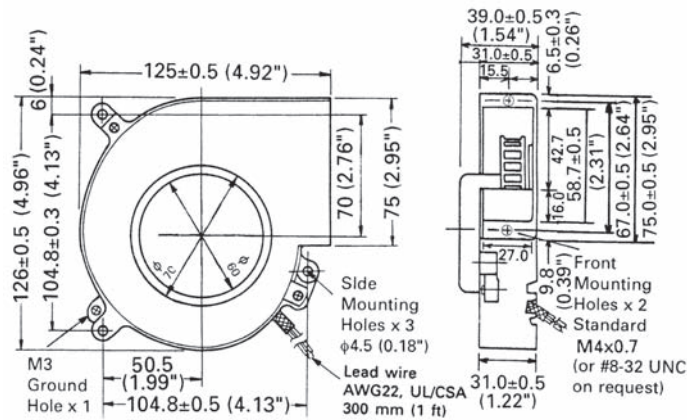
Shaded pole,
Impedance protected

DIELECTRIC STRENGTH

1 minute at 1500VAC / 50/60Hz
0.5mA

LIFE EXPECTANCY (L10)

Dual Ball Bearing
60,000 hrs @ 60C (140F)



OPERATING

TEMPERATURE

Dual Ball Bearing
-20C ~ +80C

WEIGHT

1.2 lbs.

Drawing for dimensional reference only.